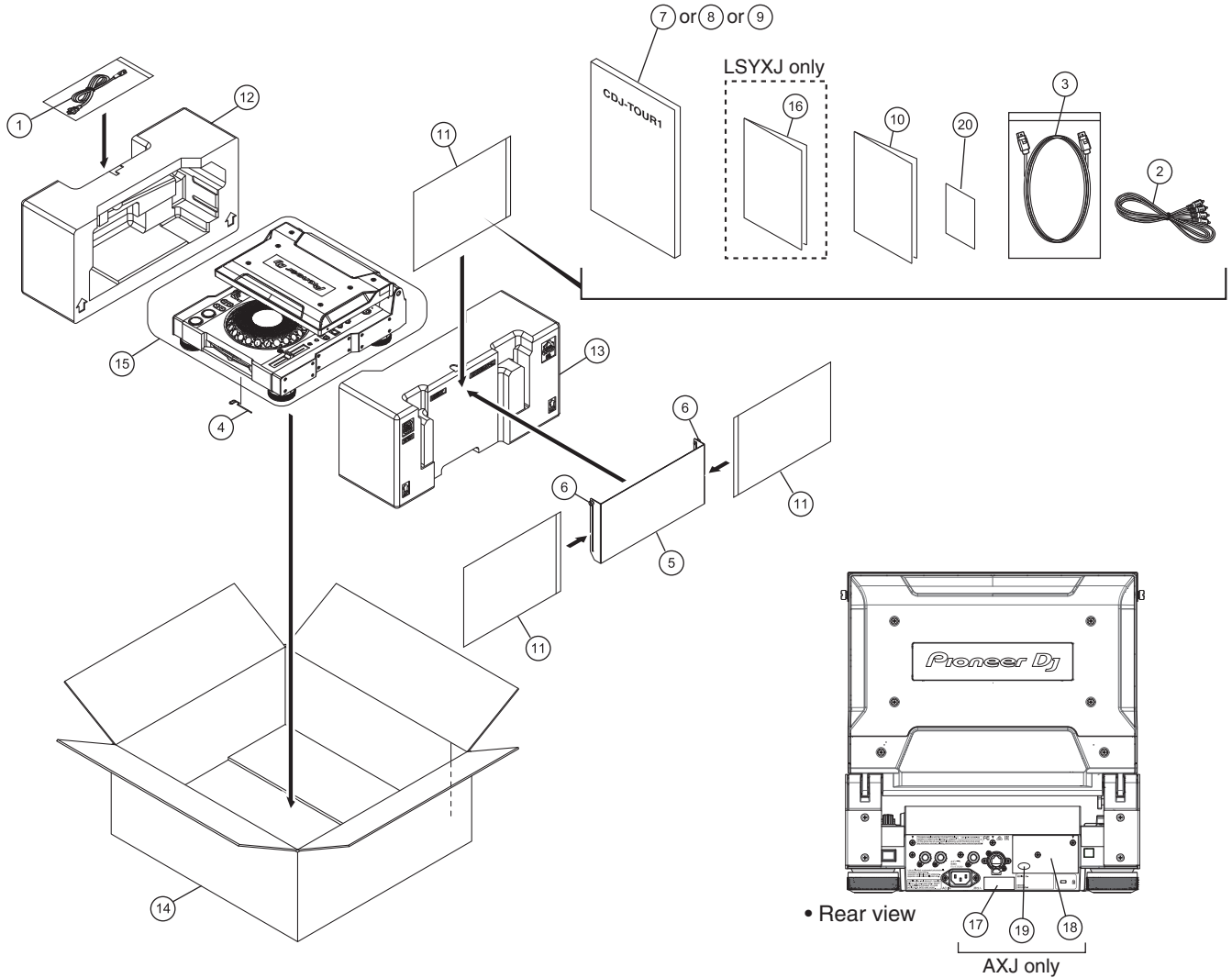


9. EXPLODED VIEWS AND PARTS LIST

- NOTES:
- Parts marked by "NSP" are generally unavailable because they are not in our Master Spare Parts List.
 - The \triangle mark found on some component parts indicates the importance of the safety factor of the part. Therefore, when replacing, be sure to use parts of identical designation.
 - Screws adjacent to ∇ mark on product are used for disassembly.
 - For the applying amount of lubricants or glue, follow the instructions in this manual. (In the case of no amount instructions, apply as you think it appropriate.)

9.1 PACKING SECTION



(1) PACKING SECTION PARTS LIST

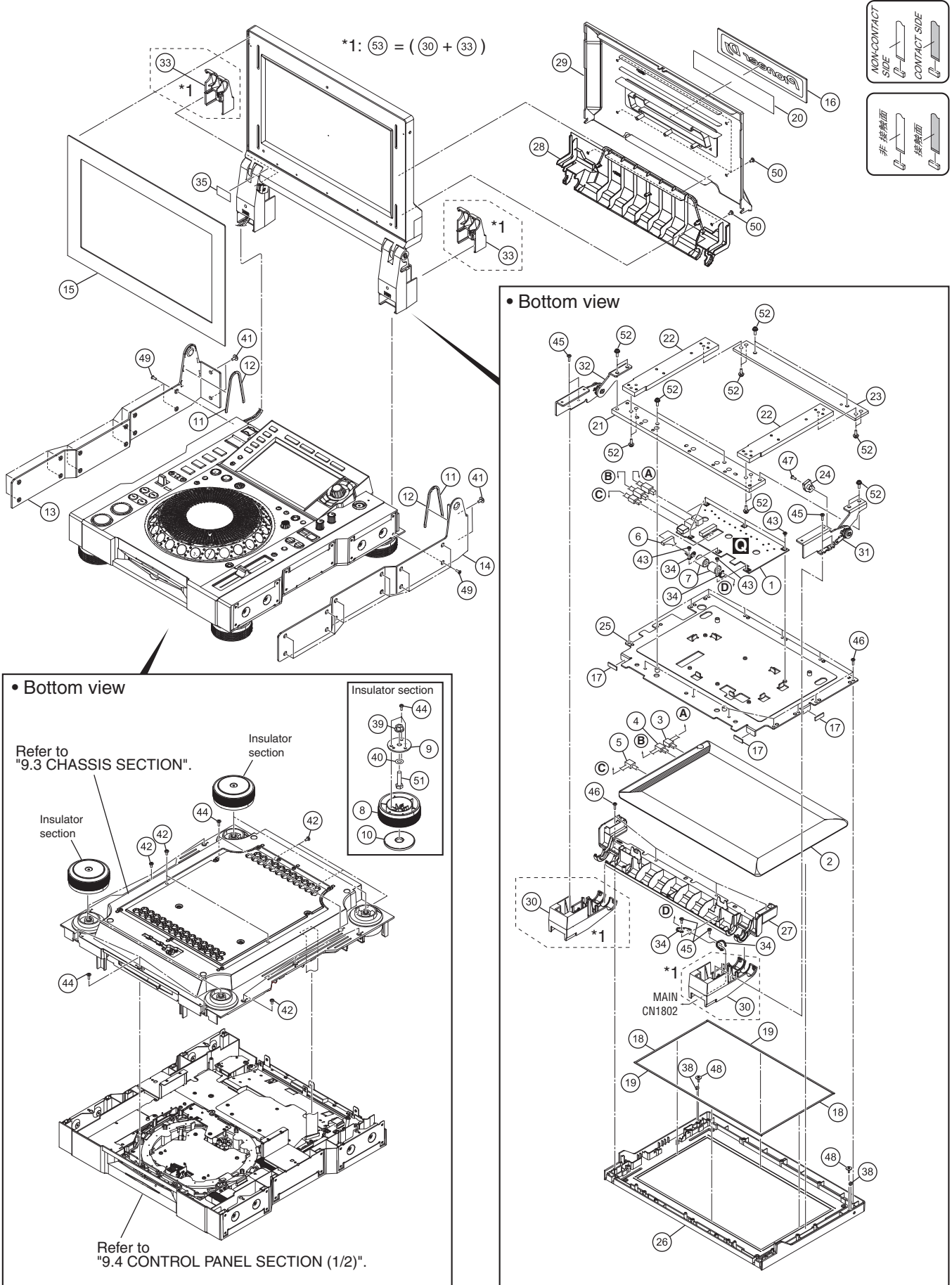
<u>Mark No.</u>	<u>Description</u>	<u>Part No.</u>	<u>Mark No.</u>	<u>Description</u>	<u>Part No.</u>
A	1 Power Cord	See Contrast table (2)	9	Operating Instructions (Quick Start Guide)	See Contrast table (2)
	2 Audio Cable	XDE3045	NSP	10 Leaflet	See Contrast table (2)
	3 LAN Cable	DDE1141		11 Polyethylene Bag	AHG7117
	4 Disc Force Eject Pin	DEX1024	12 Packing Pad	DHA1941	
	5 Display Shade	DEC3649	13 Packing Pad	DHA1942	
B	6 Screw	DBA1448	14 Packing Case	See Contrast table (2)	
	7 Operating Instructions (Quick Start Guide)	See Contrast table (2)	15 Mirror Mat	DHL1200	
	8 Operating Instructions (Quick Start Guide)	See Contrast table (2)	NSP 16 Warranty	See Contrast table (2)	
			NSP 17 Label	See Contrast table (2)	
			18 Label	See Contrast table (2)	
		NSP 19 CCC S Label	See Contrast table (2)		
		NSP 20 Other Card	See Contrast table (2)		

(2) CONTRAST TABLE

CDJ-TOUR1/LSYXJ, UXJCB, FLXJ and AXJ5 are constructed the same except for the following:

<u>Mark</u>	<u>No.</u>	<u>Symbol and Description</u>	<u>CDJ-TOUR1 /LSYXJ</u>	<u>CDJ-TOUR1 /UXJCB</u>	<u>CDJ-TOUR1 /AXJ</u>
C	1	Power Cord	ADG1244	DDG1108	DDG1114
	7	Operating Instructions (Quick Start Guide) (En, Fr, De, It, Ni, Es, Pt, Ru)	DRH1355	Not used	Not used
	8	Operating Instructions (Quick Start Guide) (En)	Not used	DRH1354	Not used
	9	Operating Instructions (Quick Start Guide) (Zhcn)	Not used	Not used	DRH1357
	NSP 10	Leaflet	DRH1275	DRH1275	DRH1274
D	14	Packing Case	DHG3460	DHG3461	DHG3463
	NSP 16	Warranty	DRY1270	Not used	Not used
	NSP 17	Label	Not used	Not used	DRW2668
E	18	Label	Not used	Not used	DAL1336
	NSP 19	CCC S Label	Not used	Not used	DRW2310
F	NSP 20	Other Card	Not used	DRM1413	Not used

9.2 EXTERIOR and TILTABLE DISPLAY SECTIONS



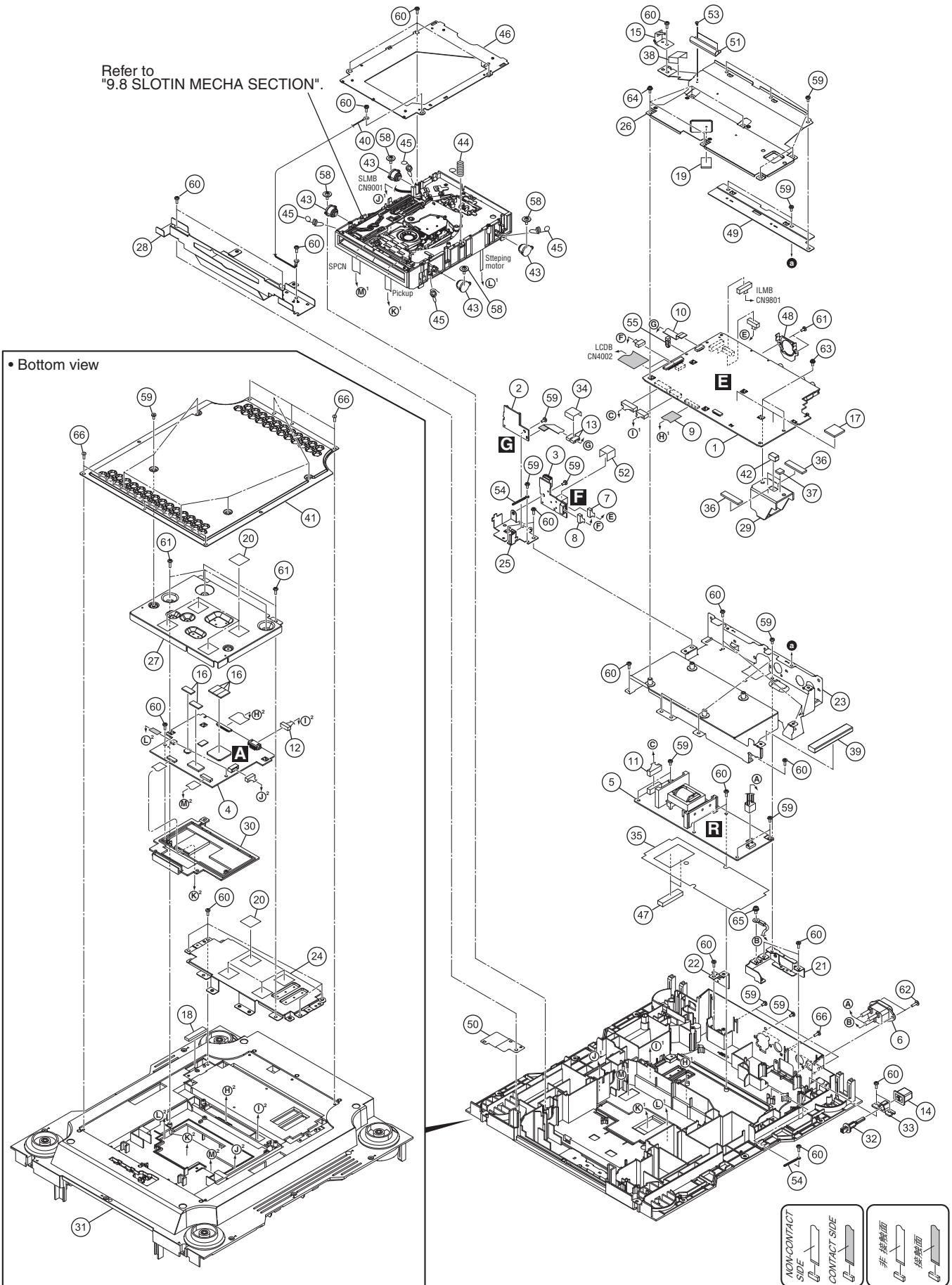
EXTERIOR and TILTABLE DISPLAY SECTIONS PARTS LIST

<u>Mark No.</u>	<u>Description</u>	<u>Part No.</u>	<u>Mark No.</u>	<u>Description</u>	<u>Part No.</u>
A	1 ILMB Assy	DWX3858	46	Screw	BPZ30P100FTC
	2 LCD FULL MODULE SERVICE ASSY	DWX3918	47	Screw	CMZ30P060FTB
	3 USB Conn-Cable	DDE1147	48	Float Fastener	DBA1286
	4 USB Conn-Cable	DDE1148	49	Screw (FE)	DBA1290
	5 USB Conn-Cable	DDE1149	50	Screw	DBA1450
	6 Shielded Conn-Cable	DDA1064	51	Screw	HMZ60Z250FTC
	7 Ferrite Core	ATX7007	52	Screw	PMB40P120FTB
	8 Insulator	DNK6593	53	Cover unit	DXB2183
	9 Plate	DNH3249			
	10 Cushion	DEC3686			
B	11 Cushion	DEC3648			
	12 Cushion	DEC3653			
	13 Frame	DNH3243			
	14 Frame	DNH3244			
	15 Panel	DAH3078			
	16 Panel	DAH3079			
	17 Packing/LCD	DEC3565			
	18 Packing	DEC3645			
	19 Packing	DEC3646			
C	20 Light-D Sheet	DEC3647			
	21 Frame	DLA2245			
	22 Frame	DLA2246			
	23 Frame	DLA2247			
	24 Button	DLA2248			
	25 Chassis	DNH3253			
	26 Bezel	DNK6582			
	27 Cover	DNK6583			
	28 Cover	DNK6584			
D	29 Case	DNK6585			
NSP	30 Cover	DNK6586			
	31 Hinge	DXB2172			
	32 Hinge	DXB2173			
NSP	33 Cover	DNK6587			
	34 Cord Clamper (Steel)	RNH-184			
NSP	35 Label	DRW2678			
	36 •••••				
	37 •••••				
E	38 Nut	NB30FTB			
	39 Nut	NF60FTC			
	40 Washer	WN60FTC			
	41 Screw	AMZ40P080FTB			
	42 Screw	BBZ30P060FTB			
	43 Screw	BMZ30P050FTC			
	44 Screw	BPZ30P080FNI			
	45 Screw	BPZ30P080FTB			

F

9.3 CHASSIS SECTION

Refer to "9.8 SLOTIN MECHA SECTION".



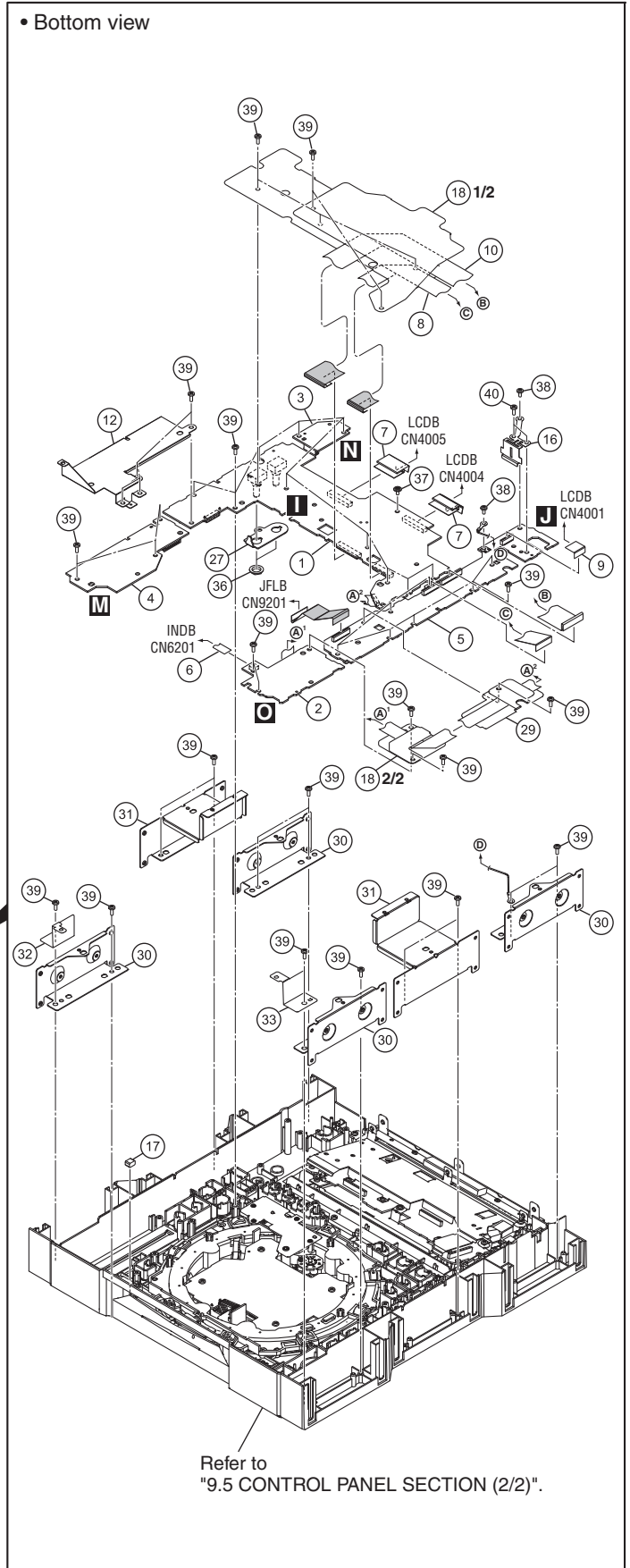
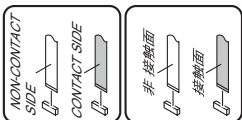
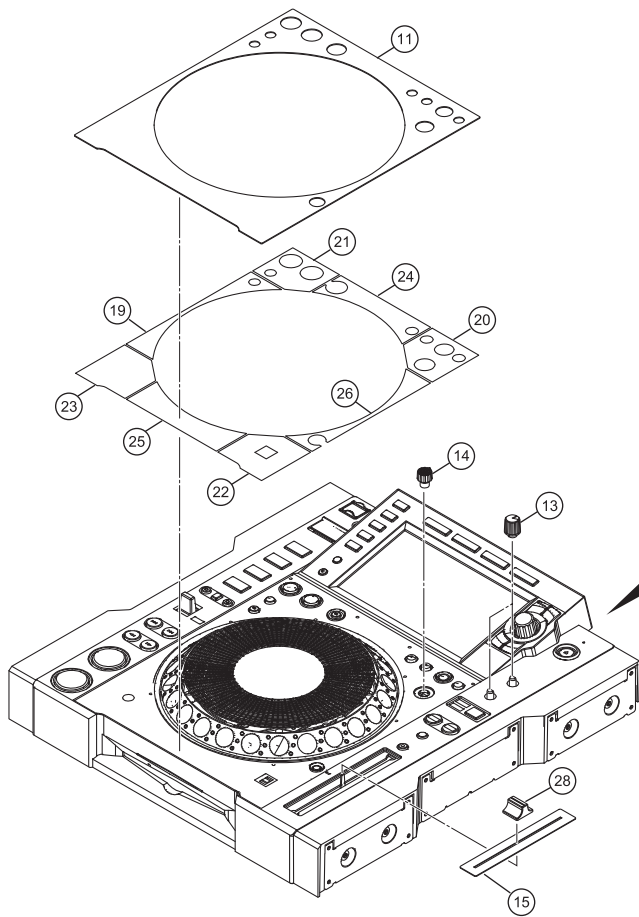
CHASSIS SECTION PARTS LIST

	<u>Mark No.</u>	<u>Description</u>	<u>Part No.</u>	<u>Mark No.</u>	<u>Description</u>	<u>Part No.</u>
	1	MAIN Assy	DWX3859	46	Mecha Plate	DNH2339
A	2	SDCB Assy	DWX3694	47	Heat Cond Sheet	DEB2020
	3	USBA Assy	DWX3695	48	Plate	DNH3248
	4	SRVB Assy	DWX3696	49	Shield Plate	DNH3251
	⚠	5 SW POWER SUPPLY	DWR1554	50	Shield Plate	DNH3271
	⚠	6 AC Inlet	DKP3983	51	Gasket	DEC3693
	7	Shielded Conn-Cable	DDA1053	52	Cushion	DEC3713
	8	Shielded Conn-Cable	DDA1052	53	Push Rivet	DEC3694
	9	FFC	DDD1703	54	Cord Clamper (Steel)	RNH-184
	10	FFC	DDD1706	55	Cable Tie	ZCA-SKB90BK
B	11	Crimp Connector	DDC1024	56	•••••	
	12	Connector Assy	PF06PP-S10	57	•••••	
	13	Ferrite Core	BTX1037	58	DM Screw (FTC)	DBA1260
	14	Power Knob	DAC2306	59	Screw	BBZ30P060FTB
	15	SD Earth Spring	DBK1357	60	Screw	BPZ30P080FNI
	16	Silicon Rubber D5 L	DEB1456	61	Screw	BPZ30P100FTC
	17	Heat Cond Sheet	DEB2018	62	Screw	IBZ30P100FTB
	18	Heat Cond Sheet	DEB2019	63	Screw	PMB30P080FTB
	19	Cushion	DEB2024	64	Screw	PMH30P080FTC
C	20	Cushion	DEB2030	65	Screw	PMH40P080FTC
	21	Plate	DNH3247	66	Screw	PPZ30P080FTB
	22	Stay/KST	DNH3021			
	23	Stay	DNH3250			
	24	Stay	DNH3226			
	25	Stay	DNH3227			
	26	Shield Plate	DNH3229			
	27	Plate	DNH3230			
	28	Plate	DNH3237			
D	29	Heat Sink	DNH3238			
	30	Servo Cover	DNK5492			
	⚠	31 Chassis	DNK6588			
	32	Shaft	DNK6501			
	33	Guide	DNK6502			
	34	Cushion	DEC3680			
	⚠	35 Sheet	DEC3660			
	36	Heat Cond Sheet	DEB2041			
	37	Heat Cond Sheet	DEB2042			
E	38	Cushion	DEC3679			
	39	Gasket	DEC3681			
	40	Cord With Plug	DE007VE0			
	41	Panel	DAH3109			
	42	Gasket/JOG	DEC3562			
	43	Damper	CNV7618			
	44	Earth Spring	DBH1398			
	45	Float Spring (G5)	DBH1494			

F

5 6 7 8

9.4 CONTROL PANEL SECTION (1/2)

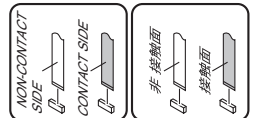
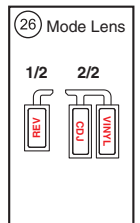
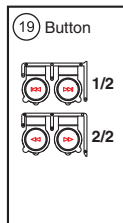
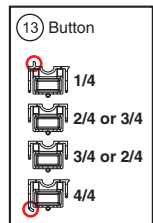
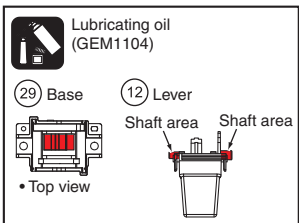
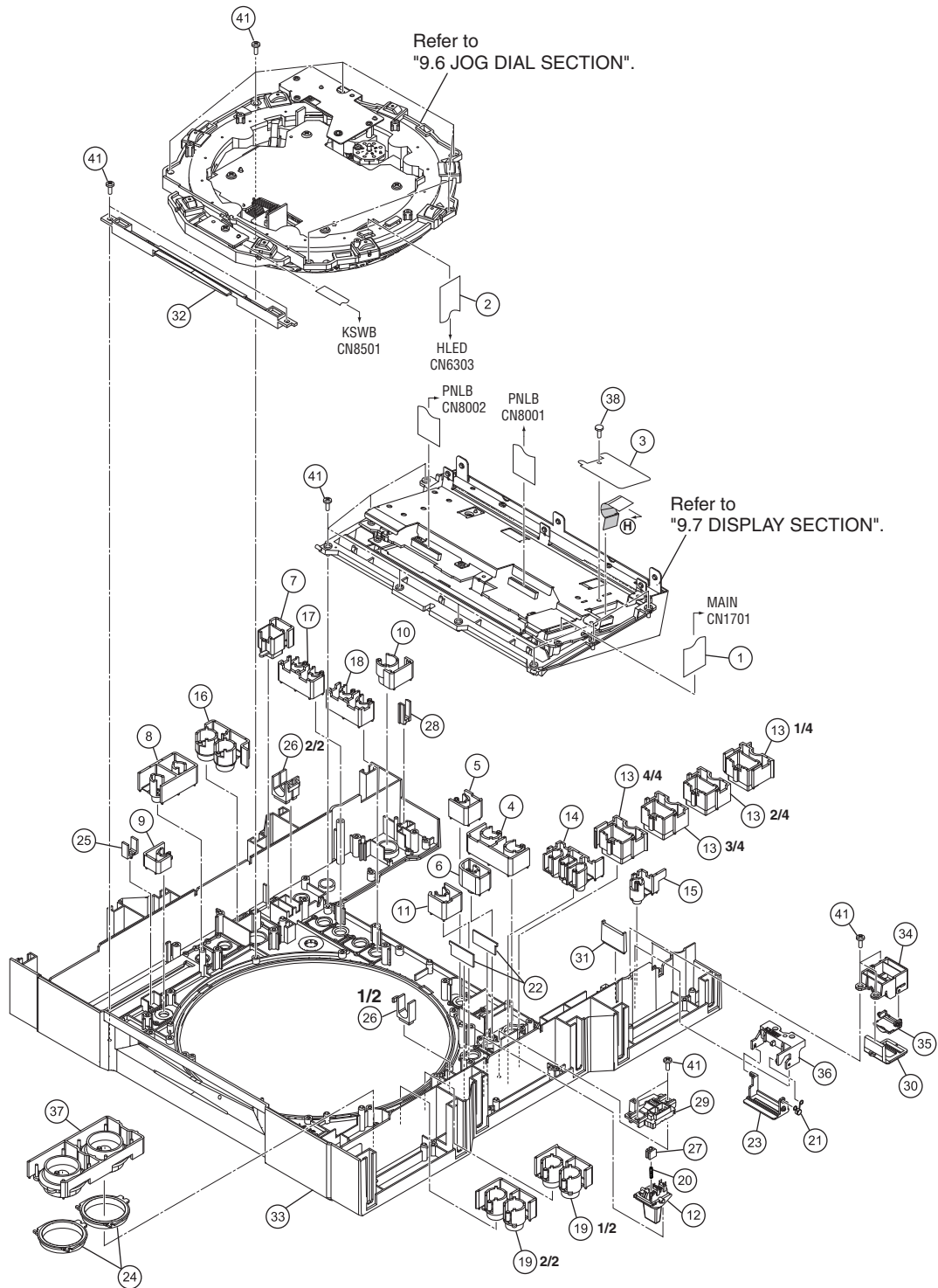


CONTROL PANEL SECTION (1/2) PARTS LIST

<u>Mark No.</u>	<u>Description</u>	<u>Part No.</u>
A	1 PNLB Assy	DWX3702
	2 KSWB Assy	DWX3703
	3 EUPB Assy	DWX3704
	4 SLDB Assy	DWX3705
	5 HLED Assy	DWX3700
	6 FFC/4P	DDD1641
	7 FFC	DDD1707
	8 FFC	DDD1709
	9 FFC	DDD1711
	10 FFC	DDD1712
B	11 Panel	DAH3051
	12 Plate	DNH3223
	13 Knob	DAA1303
	14 Adjust Knob Black	DAC2528
	15 Slide Sheet 1C	DAH2404
	16 Leaf Spring	DBK1386
	17 Gasket/JOG	DEC3562
	18 Sheet	DEC3614
	19 DS ADH Sheet	DEH1070
C	20 DS ADH Sheet	DEH1071
	21 DS ADH Sheet	DEH1072
	22 DS ADH Sheet	DEH1073
	23 DS ADH Sheet	DEH1074
	24 DS ADH Sheet	DEH1075
	25 DS ADH Sheet	DEH1076
	26 DS ADH Sheet	DEH1082
	27 Stay/VR	DNF1894
	28 Knob/SLD	DNK6188
D	29 Sheet	DEC3729
	30 Plate	DNH3245
	31 Plate	DNH3246
	32 Shield Plate	DNH3270
	33 Shield Plate	DNH3272
	34 •••••	
	35 •••••	
	36 Flange Nut M9	DBN1008
	37 Screw	ABZ30P060FTC
E	38 Screw	BBZ30P060FTB
	39 Screw	BPZ30P080FNI
	40 Screw	BPZ30P100FTC

9.5 CONTROL PANEL SECTION (2/2)

• Bottom view



CONTROL PANEL SECTION (2/2) PARTS LIST

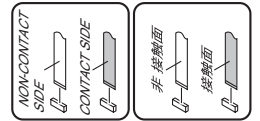
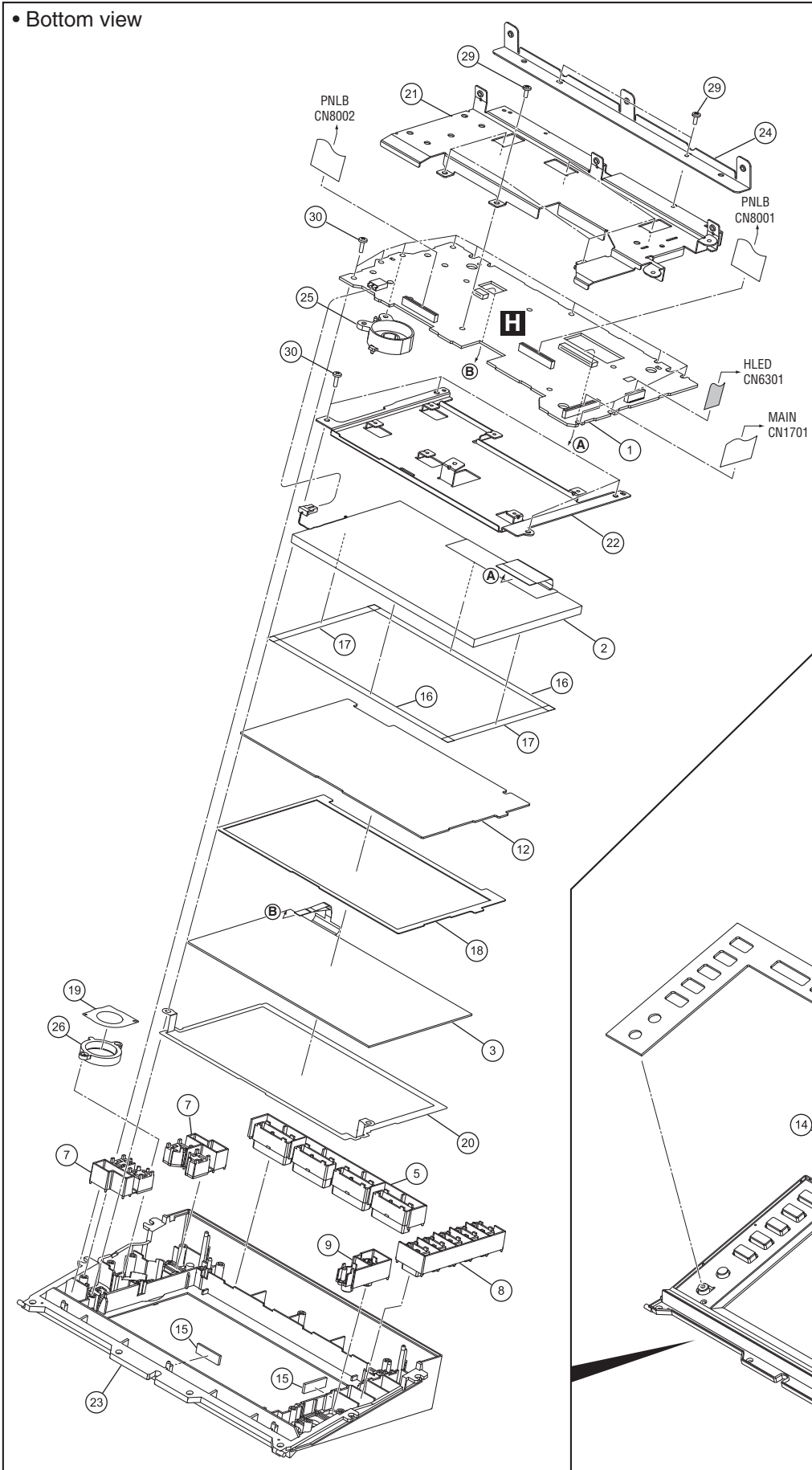
<u>Mark No.</u>	<u>Description</u>	<u>Part No.</u>
A	1 FFC	DDD1705
	2 FFC	DDD1709
	3 Sheet/FFC	DEC3577
	4 Button (Loop)	DAC2470
	5 Button (Re-loop)	DAC2471
	6 Button (4-Beat Loop)	DAC2472
	7 Button (Jog Mode)	DAC2473
	8 Button (Tempo)	DAC2474
	9 Button (Tempo Rest)	DAC2475
	10 Button (Eject)	DAC2476
B	11 Button/SLP	DAC2865
	12 Lever	DAC3097
	13 Button	DAC3129
	14 Button	DAC3130
	15 Button	DAC3134
C	16 Button/BSY	DAC2810
	17 Button	DAC3147
	18 Button	DAC3148
	19 Button	DAC3149
	20 Lever Spring	DBH1702
	21 Spring	DBH1717
	22 Brake	DEC3634
	23 SD Card Door	DNK5308
	24 Ring Rens (Play)	DNK5315
	25 TEMPO Lens	DNK5316
D	26 MODE Lens	DNK5317
	27 Lever Cap	DNK5344
	28 Lens/EUP	DNK6040
	29 Base	DNK6470
	30 Lens	DNK6491
	31 Lens	DNK6492
	32 Lens	DNK6493
	33 Control Panel	DNK6589
	34 Holder	DNK6496
	35 Door	DNK6497
E	36 Holder	DNK6498
	37 Button	DXB2170
	38 Rivet (Plastic)	RBM-003
	39 ●●●●●	
	40 ●●●●●	
41 Screw	BPZ30P080FNI	

JOG DIAL SECTION PARTS LIST

<u>Mark No.</u>	<u>Description</u>	<u>Part No.</u>
A	1 INDB Assy	DWX3699
	2 JFLB Assy	DWX3708
	3 JOGB Assy	DWX3709
	4 Jog Panel	DAH2609
	5 Plate	DAH3048
B	6 Coil Spring/LD	DBH1798
	7 SW Spring	DBH1681
	8 SW Cushion HH48/2	DEC2538
	9 Cushion/RNG	DEC3466
	10 Washer	DEC3137
C	11 Link Plate	DNH2848
	12 Jog B	DNK4068
	13 SW Ring	DNK5233
	14 Gear/LD	DNK6145
	15 Smoother	DNK5237
D	16 Holder	DNK6556
	17 Comp Plate	DNK5243
	18 Adjust Plate	DNK5300
	19 Cam Plate	DNK5301
	20 Dial Gear	DNK5302
E	21 Link Gear A	DNK5303
	22 Link Gear B	DNK5304
	23 Rack Plate	DNK5305
	24 Sheet SW	DSX1078
	25 Jog Dial A Assy	DXA2159
F	26 Roller	DXB2178
	27 Stay Assy/JOG	DXB2133
	28 Encoder Spring	DBH1710
	29 Plate	DEC3700
	30 Gear/A	DNK6143
G	31 Gear/B	DNK6144
	32 Leaf Spring/ADJ	DBK1376
	33 DS Tape/JOG	DEH1047
	34 •••••	
	35 •••••	
H	36 •••••	
	37 Screw (FE)	DBA1265
	38 Screw	BPZ20P100FTC
	39 Screw	BPZ30P080FNI
I	40 Screw	IPZ20P060FTC

9.7 DISPLAY SECTION

• Bottom view



A

B

C

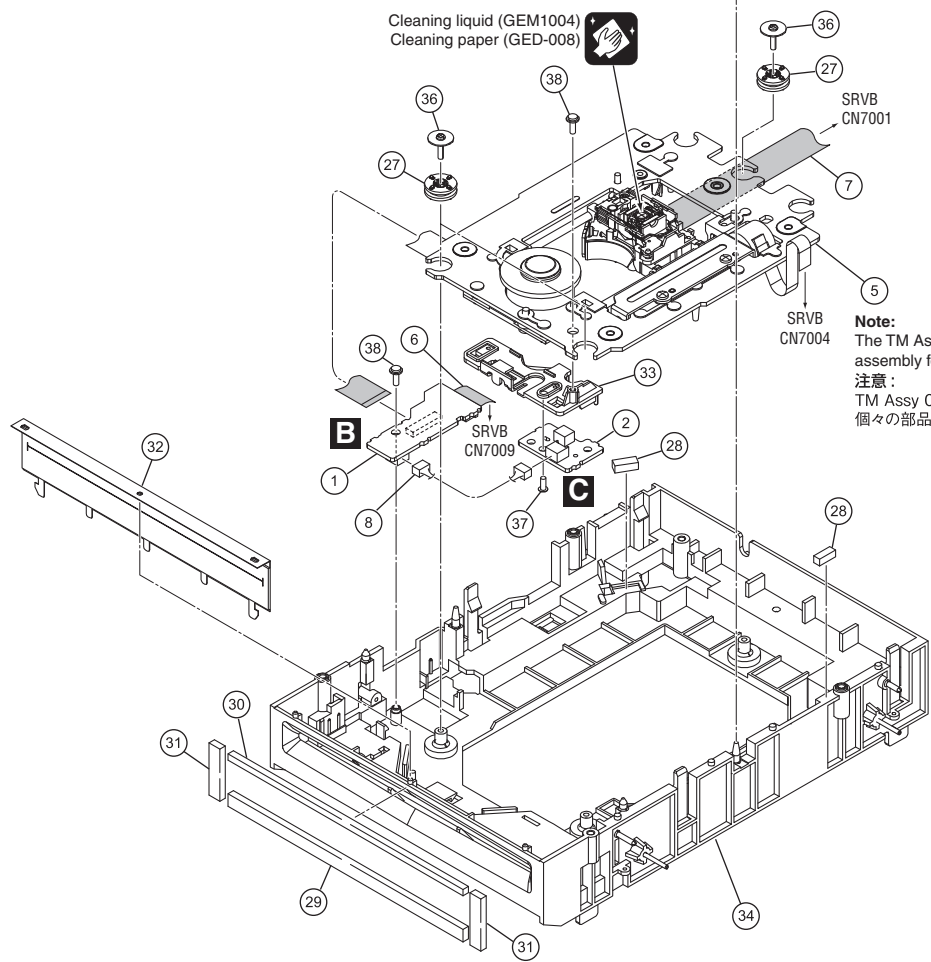
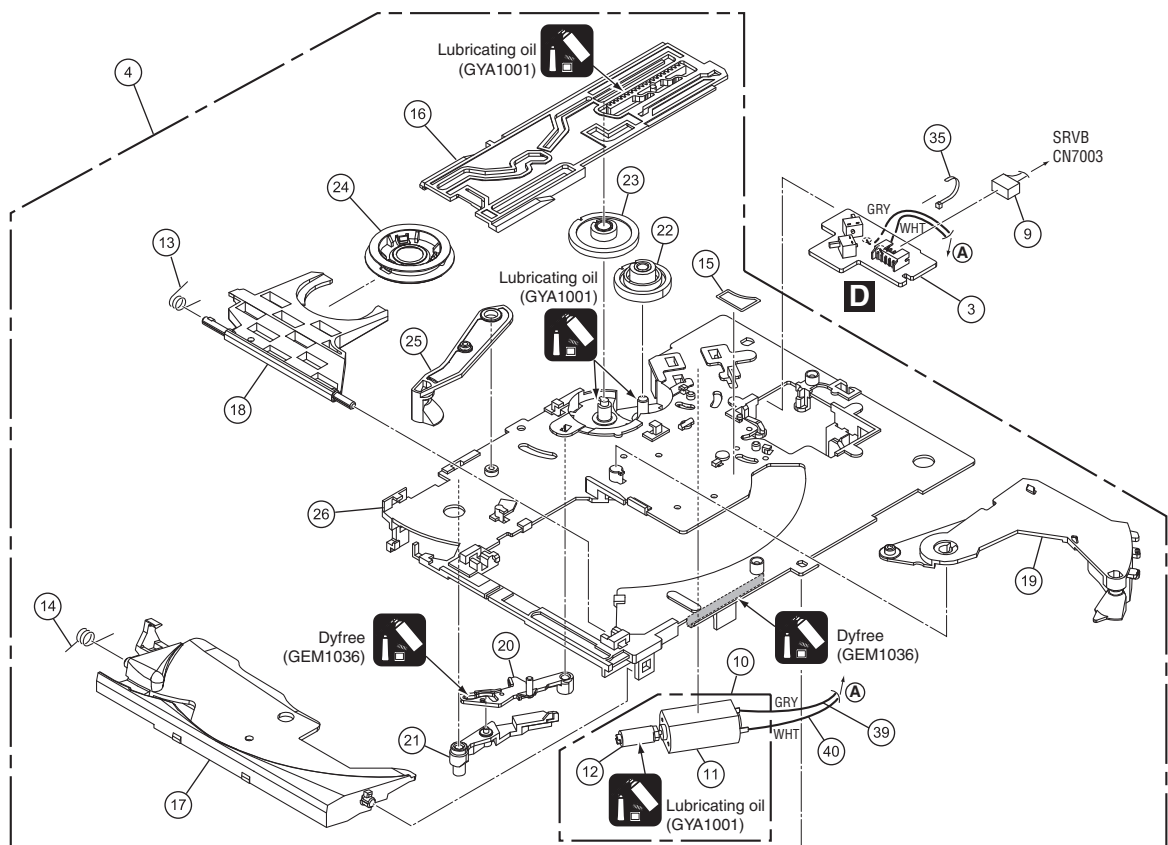
D

E

F

DISPLAY SECTION PARTS LIST

<u>Mark No.</u>	<u>Description</u>	<u>Part No.</u>
A	1 LCDB Assy	DWX3693
	2 TFT LCD	CWX4352
	3 Touch Panel	DSX1130
	4 Knob	DAA1365
	5 Button/MOD	DAC2807
B	6 Button	DAC3113
	7 Button	DAC3114
	8 Button	DAC3115
	9 Button	DAC3116
	10 Button	DAC3117
C	11 Button	DAC3118
	12 Panel/TCP	DAH3006
	13 Panel	DAH3108
	14 Panel	DAH3044
	15 Packing/LCD	DEC3565
D	16 Packing/L	DEC3568
	17 Packing/S	DEC3569
	18 Spacer/LCD	DEC3571
	19 Light-D Sheet	DEC3613
	20 Plate/GND	DNH3173
E	21 Shield Case	DNH3220
	22 Stay	DNH3221
	⚠ 23 Control Panel	DNK6628
	24 Shield Plate	DNH3252
	25 Holder	DNK6467
F	26 Lens	DNK6468
	27 ●●●●●	
	28 ●●●●●	
G	29 Screw	BBZ26P060FTB
	30 Screw	BPZ26P080FTC



Note:
The TM Assy 09SD-S is supplied only in assembly form, not as a single parts.
注意:
TM Assy 09SD-Sは Assy 品でのみ供給されます。
個々の部品では供給しません。

