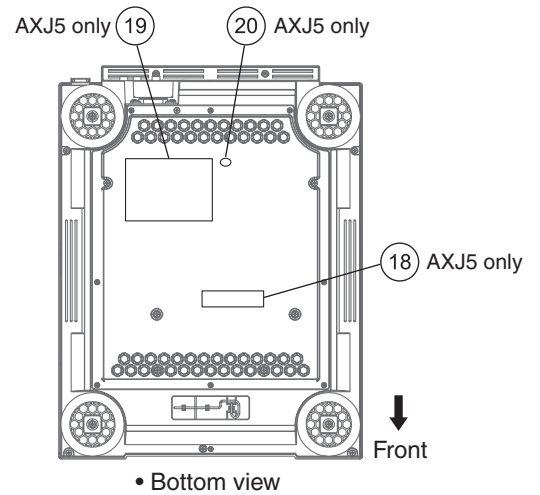
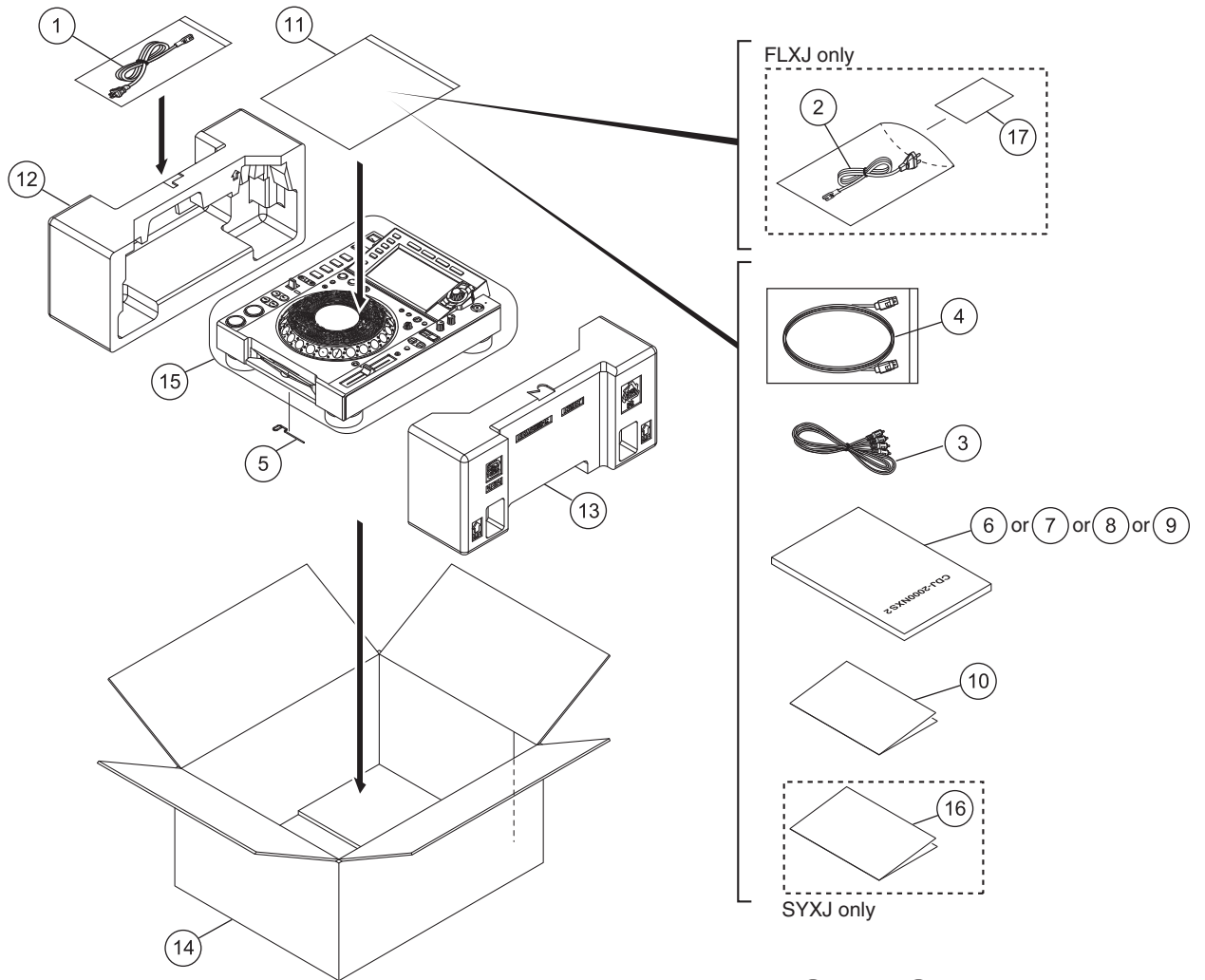


9. EXPLODED VIEWS AND PARTS LIST

- NOTES:**
- Parts marked by "NSP" are generally unavailable because they are not in our Master Spare Parts List.
 - The \triangle mark found on some component parts indicates the importance of the safety factor of the part. Therefore, when replacing, be sure to use parts of identical designation.
 - Screws adjacent to ∇ mark on product are used for disassembly.
 - For the applying amount of lubricants or glue, follow the instructions in this manual. (In the case of no amount instructions, apply as you think it appropriate.)

9.1 PACKING SECTION



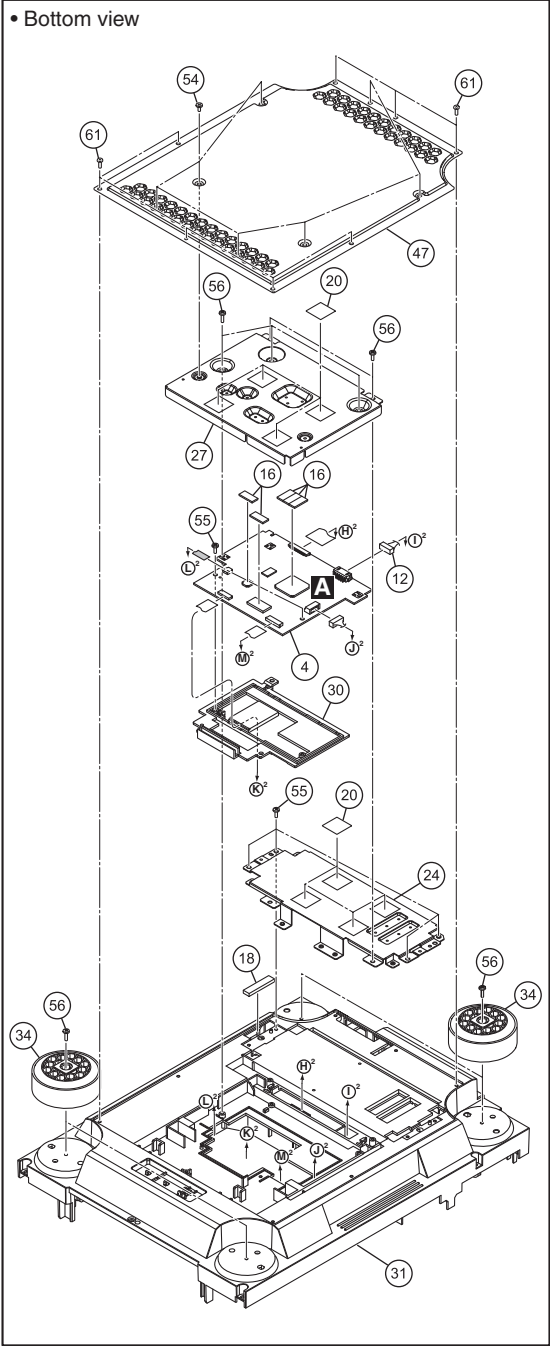
(1) PACKING SECTION PARTS LIST

<u>Mark No.</u>	<u>Description</u>	<u>Part No.</u>	<u>Mark No.</u>	<u>Description</u>	<u>Part No.</u>
⚠	1 Power Cord	See Contrast table (2)	9	Operating Instructions (Quick Start Guide)	See Contrast table (2)
⚠	2 Power Cord	See Contrast table (2)			
	3 Audio Cable	XDE3045	NSP 10	Leaflet	See Contrast table (2)
	4 LAN Cable	DDE1141	NSP 11	Polyethylene Bag	AHG7117
	5 Disc Force Eject Pin	DEX1024	12	Packing Pad	DHA1935
	6 Operating Instructions (Quick Start Guide)	See Contrast table (2)	13	Packing Pad	DHA1936
	7 Operating Instructions (Quick Start Guide)	See Contrast table (2)	14	Packing Case	See Contrast table (2)
	8 Operating Instructions (Quick Start Guide)	See Contrast table (2)	15	Packing Sheet	RHC1023
			NSP 16	Warranty	See Contrast table (2)
			17	Caution Card SB	See Contrast table (2)
			NSP 18	Label	See Contrast table (2)
			NSP 19	Name Label	See Contrast table (2)
			NSP 20	CCC S Label	See Contrast table (2)

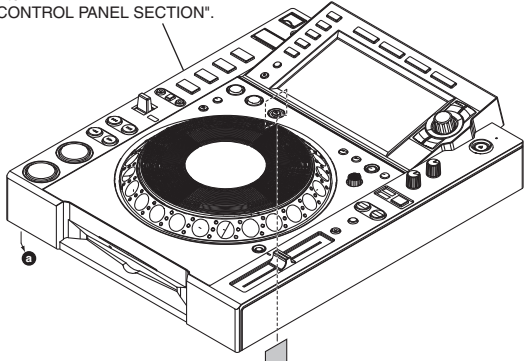
(2) CONTRAST TABLE

CDJ-2000NXS2/SYXJ, UXJCB, FLXJ and AXJ5 are constructed the same except for the following:

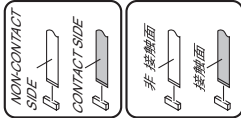
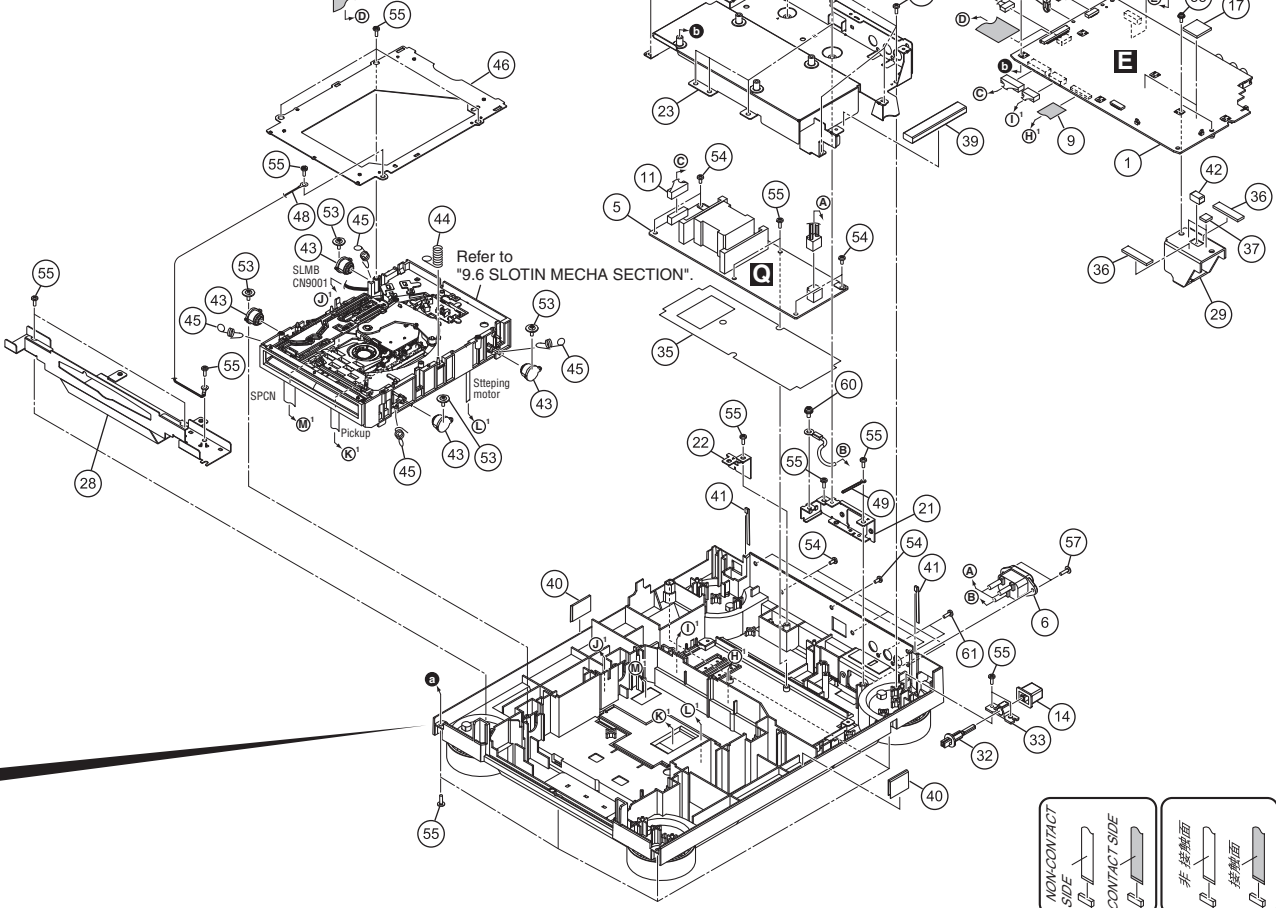
Mark	No.	Symbol and Description	CDJ-2000NXS2 /SYXJ	CDJ-2000NXS2 /UXJCB	CDJ-2000NXS2 /FLXJ	CDJ-2000NXS2 /AXJ5
⚠	1	Power Cord	ADG1244	DDG1108	ADG1244	DDG1114
⚠	2	Power Cord	Not used	Not used	ADG1239	Not used
	6	Operating Instructions (Quick Start Guide) (En, Fr, De, It, Nl, Es, Pt, Ru)	DRH1322	Not used	Not used	Not used
	7	Operating Instructions (Quick Start Guide)(En)	Not used	DRH1321	Not used	Not used
	8	Operating Instructions (Quick Start Guide) (En, Es, Zhtw)	Not used	Not used	DRH1323	Not used
	9	Operating Instructions (Quick Start Guide)(Zhc)	Not used	Not used	Not used	DRH1324
NSP	10	Leaflet	DRH1275	DRH1275	DRH1275	DRH1274
	14	Packing Case	DHG3438	DHG3440	DHG3441	DHG3443
NSP	16	Warranty	ARY7158	Not used	Not used	Not used
	17	Caution Card SB	Not used	Not used	ARM7064	Not used
NSP	18	Label	Not used	Not used	Not used	DRW2667
NSP	19	Name Label	Not used	Not used	Not used	DAL1335
NSP	20	CCC S Label	Not used	Not used	Not used	DRW2310



Refer to "9.3 CONTROL PANEL SECTION".



Refer to "9.6 SLOT IN MECHA SECTION".



EXTERIOR SECTION PARTS LIST

	<u>Mark No.</u>	<u>Description</u>	<u>Part No.</u>	<u>Mark No.</u>	<u>Description</u>	<u>Part No.</u>
	1	MAIN Assy	DWX3672	46	Mecha Plate	DNH2339
A	2	SDCB Assy	DWX3694	47	Panel	DAH3052
	3	USBA Assy	DWX3695	48	Cord With Plug	DE007VE0
	4	SRVB Assy	DWX3696	49	Cord Clamper (Steel)	RNH-184
	⚠	5 SW POWER SUPPLY Assy	DWR1548	50	Cable Tie	ZCA-SKB90BK
	⚠	6 AC Inlet	DKP3975	51	Cushion	DEC3680
	7	Shielded Conn-Cable	DDA1053	52	•••••	
	8	Shielded Conn-Cable	DDA1052	53	DM Screw (FTC)	DBA1260
	9	FFC	DDD1703	54	Screw	BBZ30P060FTB
	10	FFC	DDD1706	55	Screw	BPZ30P080FNI
B	11	Crimp Connector	DDC1024	56	Screw	BPZ30P100FTC
	12	Connector Assy	PF06PP-S10	57	Screw	IBZ30P100FTB
	13	Ferrite Core	BTX1037	58	Screw	PMB30P080FTB
	14	Power Knob	DAC2306	59	Screw	PMH30P080FTC
	15	SD Earth Spring	DBK1357	60	Screw	PMH40P080FTC
	16	Silicon Rubber D5 L	DEB1456	61	Screw	PPZ30P080FTB
	17	Heat Cond Sheet	DEB2018			
	18	Heat Cond Sheet	DEB2019			
	19	Cushion	DEB2024			
C	20	Cushion	DEB2030			
	21	Bracket/ACI	DNH3020			
	22	Stay/KST	DNH3021			
	23	Stay	DNH3225			
	24	Stay	DNH3226			
	25	Stay	DNH3227			
	26	Shield Plate	DNH3229			
	27	Plate	DNH3230			
	28	Plate	DNH3237			
D	29	Heat Sink	DNH3238			
	30	Servo Cover	DNK5492			
	⚠	31 Chassis	DNK6500			
	32	Shaft	DNK6501			
	33	Guide	DNK6502			
	34	Insulator	DXB2169			
	35	Sheet	DEC3660			
	36	Heat Cond Sheet	DEB2041			
	37	Heat Cond Sheet	DEB2042			
E	38	Cushion	DEC3679			
	39	Gasket	DEC3681			
	40	Cushion	DEC3687			
	41	Cushion	DEC3688			
	42	Gasket/JOG	DEC3562			
	43	Damper	CNV7618			
	44	Earth Spring	DBH1398			
	45	Float Spring (G5)	DBH1494			

CONTROL PANEL SECTION PARTS LIST

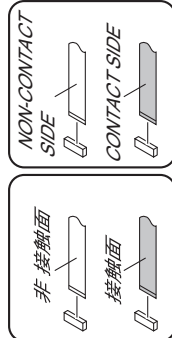
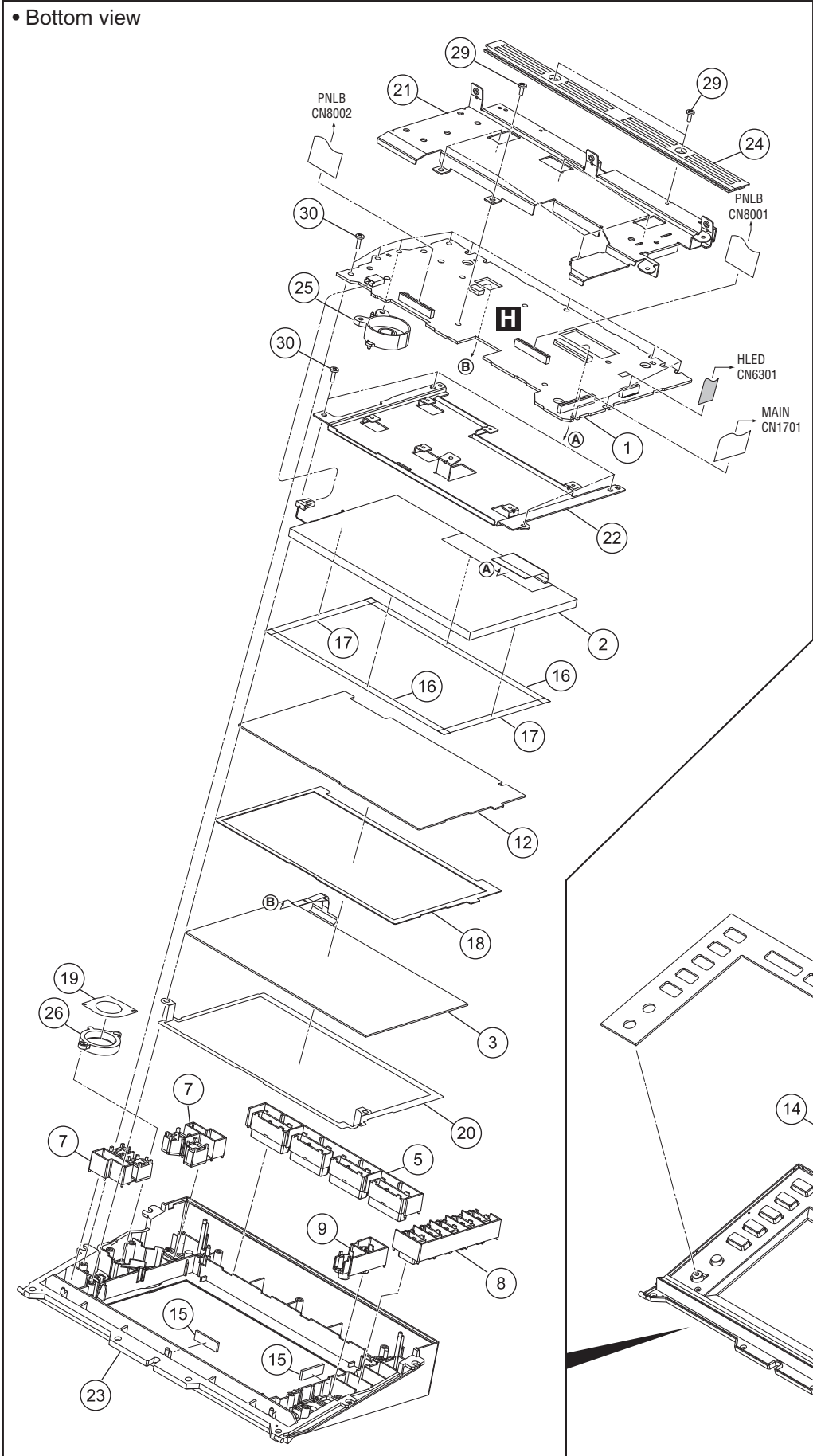
	<u>Mark No.</u>	<u>Description</u>	<u>Part No.</u>	<u>Mark No.</u>	<u>Description</u>	<u>Part No.</u>
A	1	PNLB Assy	DWX3702	46	DS ADH Sheet	DEH1076
	2	KSWB Assy	DWX3703	47	DS ADH Sheet	DEH1082
	3	EUPB Assy	DWX3704	48	Stay/VR	DNF1894
	4	SLDB Assy	DWX3705	49	SD Card Door	DNK5308
	5	HLED Assy	DWX3700	50	Ring Rens (PLAY)	DNK5315
	6	FFC/4P	DDD1641	51	Tempo Lens	DNK5316
	7	FFC	DDD1705	52	Mode Lens	DNK5317
	8	FFC	DDD1707	53	Lever Cap	DNK5344
	9	FFC	DDD1709	54	Knob/SLD	DNK5981
	10	FFC	DDD1711	55	Lens/EUP	DNK6040
B	11	FFC	DDD1712	56	Base	DNK6470
	12	Panel	DAH3051	57	Lens	DNK6491
	13	Plate	DNH3223	58	Lens	DNK6492
	14	Sheet/FFC	DEC3577	59	Lens	DNK6493
	15	Knob	DAA1303	△ 60	Control Panel	DNK6494
	16	Button (LOOP)	DAC2470	61	Holder	DNK6496
	17	Button (RELOOP)	DAC2471	62	Door	DNK6497
	18	Button (4-BEAT LOOP)	DAC2472	63	Holder	DNK6498
	19	Button (JOG MODE)	DAC2473	64	Button	DXB2170
	20	Button (TEMPO)	DAC2474	65	Sheet	DEC3689
C	21	Button (TEMPO REST)	DAC2475	66	Rivet (Plastic)	RBM-003
	22	Button (EJECT)	DAC2476	67	•••••	
	23	Adjust Knob Black	DAC2528	68	•••••	
	24	Button/SLP	DAC2865	69	Flange Nut M9	DBN1008
	25	Lever	DAC3097	70	Screw	ABZ30P060FTC
	26	Button	DAC3129	71	Screw	BBZ30P060FTB
	27	Button	DAC3130	72	Screw	BPZ30P080FNI
	28	Button	DAC3134	73	Screw	BPZ30P100FTC
	29	Button	DAC3135			
	30	Button	DAC3147			
D	31	Button	DAC3148			
	32	Button	DAC3149			
	33	Slide Sheet 1C	DAH2404			
	34	Lever Spring	DBH1702			
	35	Spring	DBH1717			
	36	Leaf Spring	DBK1386			
	37	Gasket/JOG	DEC3562			
	38	Sheet	DEC3614			
	39	Brake	DEC3634			
	40	DS ADH Sheet	DEH1070			
E	41	DS ADH Sheet	DEH1071			
	42	DS ADH Sheet	DEH1072			
	43	DS ADH Sheet	DEH1073			
	44	DS ADH Sheet	DEH1074			
	45	DS ADH Sheet	DEH1075			
F						

JOG DIAL SECTION PARTS LIST

	<u>Mark No.</u>	<u>Description</u>	<u>Part No.</u>
A	1	INDB Assy	DWX3699
	2	JFLB Assy	DWX3708
	3	JOGB Assy	DWX3709
	4	Jog Panel	DAH2609
	5	Jog Plate	DAH2679
	6	Coil Spring/LD	DBH1798
	7	SW Spring	DBH1681
	8	SW Cushion HH48/2	DEC2538
	9	Cushion/RNG	DEC3466
	10	Washer	DEC3137
B	11	Link Plate	DNH2848
	12	Jog B	DNK4068
	13	SW Ring	DNK5233
	14	Gear/LD	DNK6145
	15	Smoother	DNK5237
	16	Holder	DNK6556
	17	Comp Plate	DNK5243
	18	Adjust Plate	DNK5300
	19	Cam Plate	DNK5301
	20	Dial Gear	DNK5302
C	21	Link Gear A	DNK5303
	22	Link Gear B	DNK5304
	23	Rack Plate	DNK5305
	24	Sheet SW	DSX1078
	25	Jog Dial A Assy	DXA2159
	26	Roller	DXB2178
	27	Stay Assy/JOG	DXB2133
	28	Encoder Spring	DBH1710
	29	Plate	DEC3700
	30	Gear/A	DNK6143
D	31	Gear/B	DNK6144
	32	Leaf Spring/ADJ	DBK1376
	33	•••••	
	34	•••••	
	35	•••••	
	36	•••••	
	37	Screw (FE)	DBA1265
	38	Screw	BPZ20P100FTC
	39	Screw	BPZ30P080FNI
	40	Screw	IPZ20P060FTC

F

9.5 DISPLAY SECTION



A

B

C

D

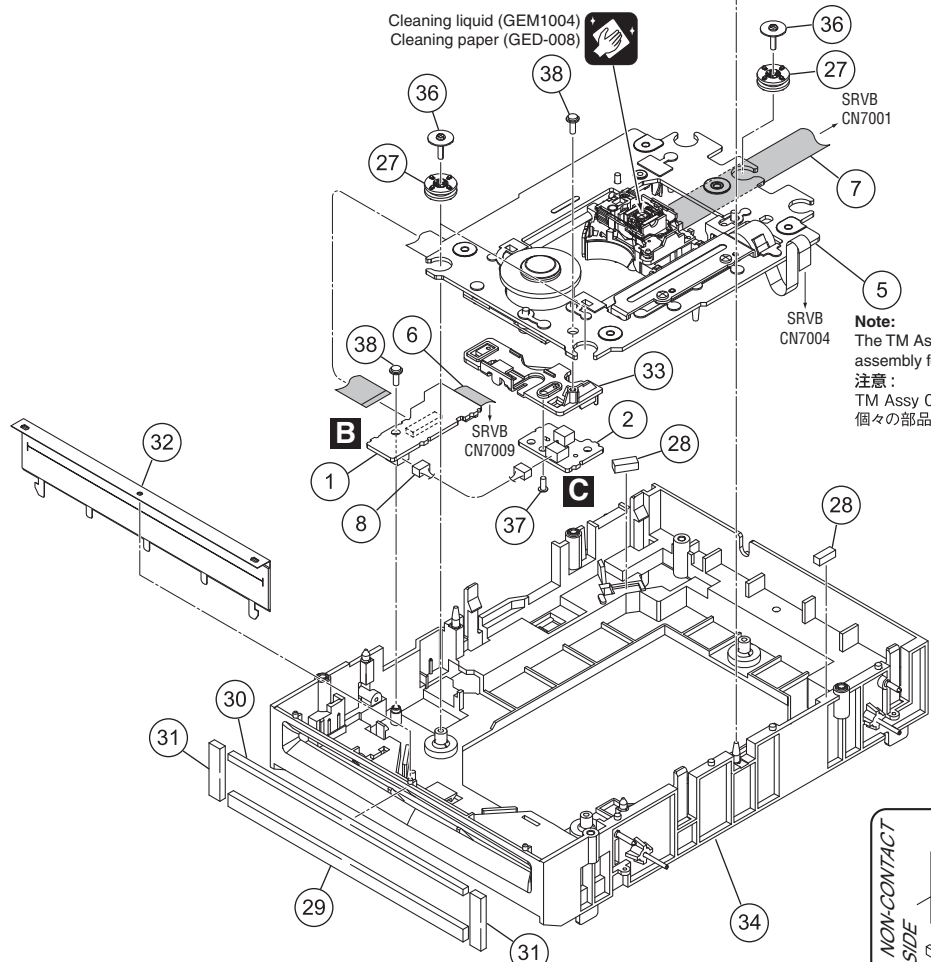
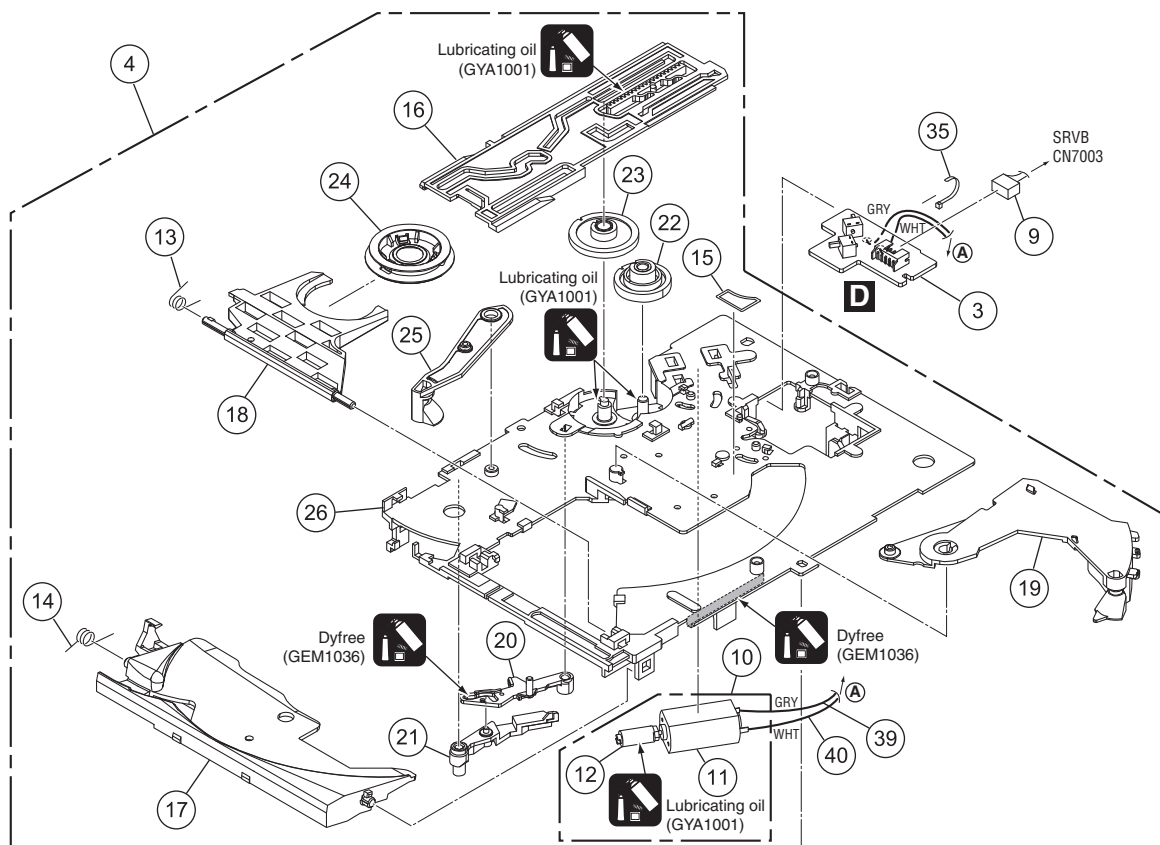
E

F

DISPLAY SECTION PARTS LIST

<u>Mark No.</u>	<u>Description</u>	<u>Part No.</u>
A	1 LCDB Assy	DWX3693
	2 TFT LCD	CWX4352
	3 Touch Panel	DSX1130
	4 Dial Knob	DAA1246
	5 Button/MOD	DAC2807
B	6 Button	DAC3113
	7 Button	DAC3114
	8 Button	DAC3115
	9 Button	DAC3116
	10 Button	DAC3117
B	11 Button	DAC3118
	12 Panel/TCP	DAH3006
	13 Panel	DAH3043
	14 Panel	DAH3044
	15 Packing/LCD	DEC3565
C	16 Packing/L	DEC3568
	17 Packing/S	DEC3569
	18 Spacer/LCD	DEC3571
	19 Light-D Sheet	DEC3613
	20 Plate/GND	DNH3173
C	21 Shield Case	DNH3220
	22 Stay	DNH3221
	⚠ 23 Control Panel	DNK6465
	24 Cover	DNK6466
	25 Holder	DNK6467
C	26 Lens	DNK6468
	27 ●●●●●	
	28 ●●●●●	
D	29 Screw	BBZ26P060FTB
	30 Screw	BPZ26P080FTC

9.6 SLOT IN MECHA SECTION



Note:
The TM Assy 09SD-S is supplied only in assembly form, not as a single parts.
注意:
TM Assy 09SD-Sは Assy 品でのみ供給されます。個々の部品では供給しません。

