

# AlphaTheta

## Service Manual



CDJ-3000

ORDER NO.  
**RRV4744**

MULTI PLAYER

# CDJ-3000

**THIS MANUAL IS APPLICABLE TO THE FOLLOWING MODEL(S) AND TYPE(S).**

| Model    | Type   | Power Requirement | Remarks |
|----------|--------|-------------------|---------|
| CDJ-3000 | LSYXJ6 | AC 110 V to 240 V |         |
| CDJ-3000 | AXJ6   | AC 220 V          |         |
| CDJ-3000 | UXJCB6 | AC 120 V          |         |

**THIS SERVICE MANUAL SHOULD BE USED TOGETHER WITH THE FOLLOWING MANUAL(S).**

| Model    | Order No. | Remarks   |
|----------|-----------|---|
| CDJ-3000 | RRV4745   | SCHEMATIC DIAGRAM, PCB CONNECTION DIAGRAM, PCB PARTS LIST |

### Important

This product is the same in exterior as the previously released CDJ-3000, but several parts have been changed, including MAIN Assy.

Failure to use the correct parts may not only render the product inoperable, but may also induce malfunctions.

When repairing the product, always use the parts listed in this Service Manual.



AlphaTheta Corporation

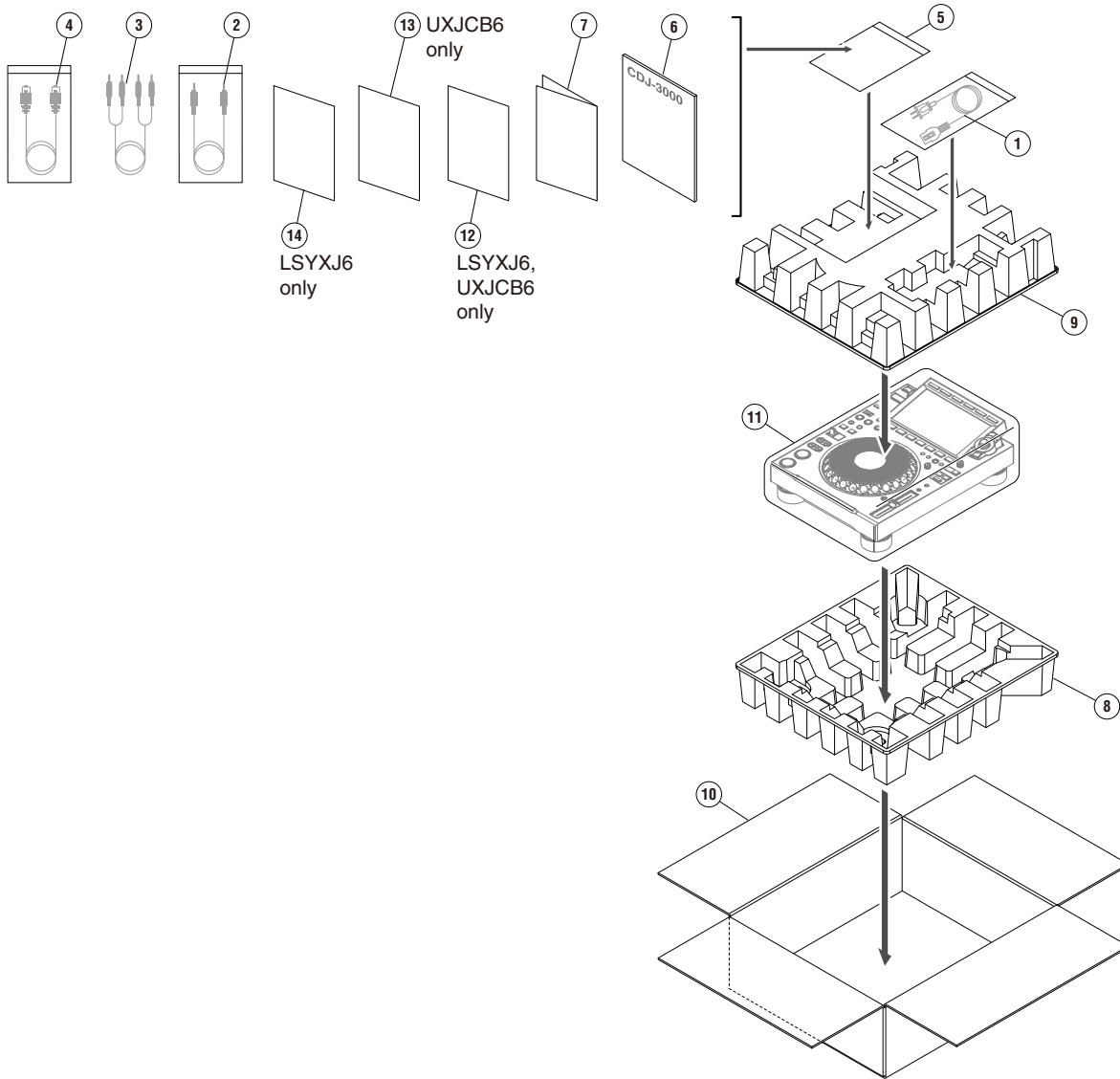
6F, Yokohama i-Mark Place, 4-4-5 Minatomirai, Nishi-ku, Yokohama, Kanagawa 220-0012 JAPAN

# 9. EXPLODED VIEWS AND PARTS LIST

NOTES: ● Parts marked by "NSP" are generally unavailable because they are not in our Master Spare Parts List.

- The  $\triangle$  mark found on some component parts indicates the importance of the safety factor of the part. Therefore, when replacing, be sure to use parts of identical design.
- Screws adjacent to  $\nabla$  mark on product are used for disassembly.
- For the applying amount of lubricants or glue, follow the instructions in this manual. (In the case of no amount instructions, apply as you think it appropriate.)

## 9.1 PACKING SECTION



**(1) PACKING SECTION PARTS LIST**

| <u>Mark No.</u> | <u>Description</u>    | <u>Part No.</u>        | <u>Mark No.</u> | <u>Description</u> | <u>Part No.</u>        |
|-----------------|-----------------------|------------------------|-----------------|--------------------|------------------------|
| ⚠               | 1 Power cord          | See contrast table (2) | 11              | Packing Sheet      | RHC1023                |
|                 | 2 Digital audio cable | DDE1154                | NSP 12          | Leaflet            | See contrast table (2) |
|                 | 3 Analog audio cable  | XDE3045                | NSP 13          | Leaflet            | See contrast table (2) |
|                 | 4 LAN cable           | DDE1141                | NSP 14          | Warranty           | See contrast table (2) |
| NSP 5           | Polyethylene Bag      | AHG7117                |                 |                    |                        |
|                 | 6 Quick Start Guide   | DRH1530                |                 |                    |                        |
|                 | 7 Precautions for Use | See contrast table (2) |                 |                    |                        |
|                 | 8 Packing Pad         | DHA2042                |                 |                    |                        |
|                 | 9 Packing Pad         | DHA2043                |                 |                    |                        |
|                 | 10 Packing Case       | See contrast table (2) |                 |                    |                        |

**(2) CONTRAST TABLE**

CDJ-3000/LSYXJ6, UXJCB6 and AXJ6 are constructed the same except for the following:

| Mark | No. | Symbol and Description | CDJ-3000/LSYXJ6 | CDJ-3000/UXJCB6 | CDJ-3000/AXJ6 |
|------|-----|------------------------|-----------------|-----------------|---------------|
| ⚠    | 1   | Power cord             | DDG1124         | DDG1123         | DDG1125       |
|      | 7   | Precautions for Use    | DRH1534         | DRH1534         | DRH1535       |
|      | 10  | Packing Case           | DHG3903         | DHG3899         | DHG3905       |
| NSP  | 12  | Leaflet                | DRH1781         | DRH1781         | Not used      |
| NSP  | 13  | Leaflet                | Not used        | DRH1782         | Not used      |
| NSP  | 14  | Warranty               | DRY1274         | Not used        | Not used      |

# 9.2 CHASSIS SECTION

1

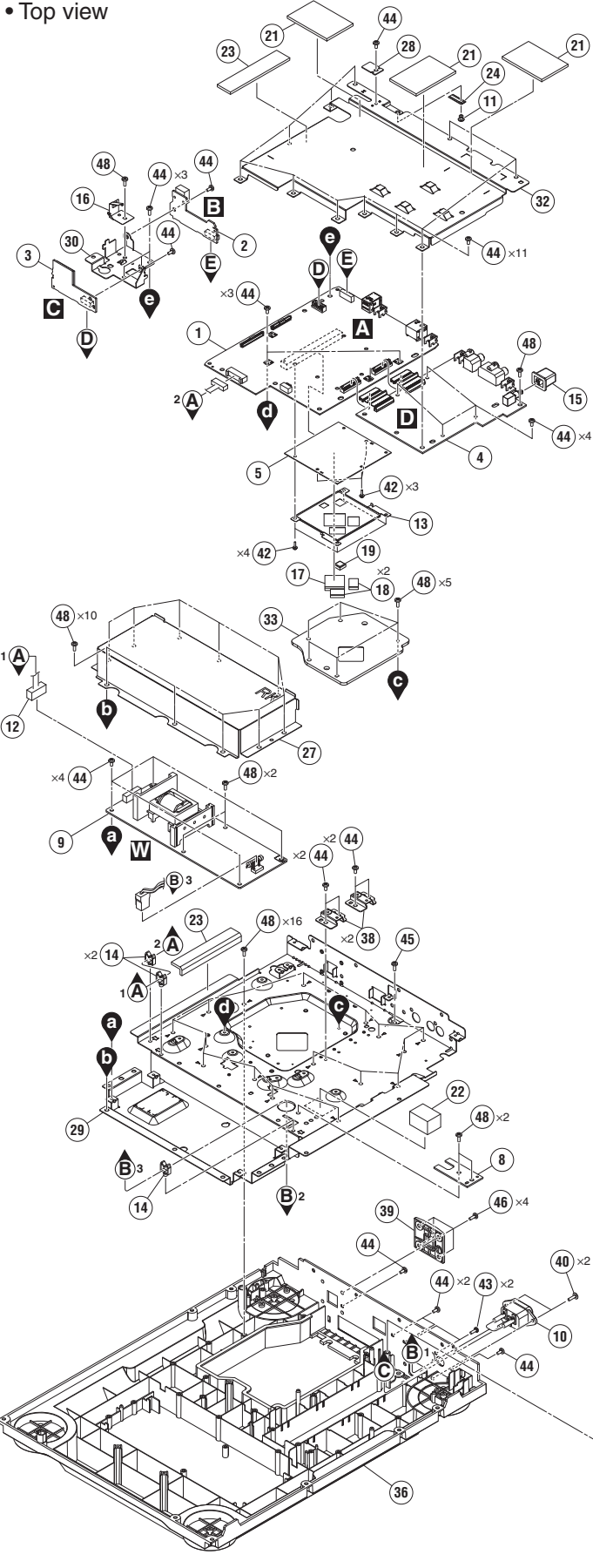
2

3

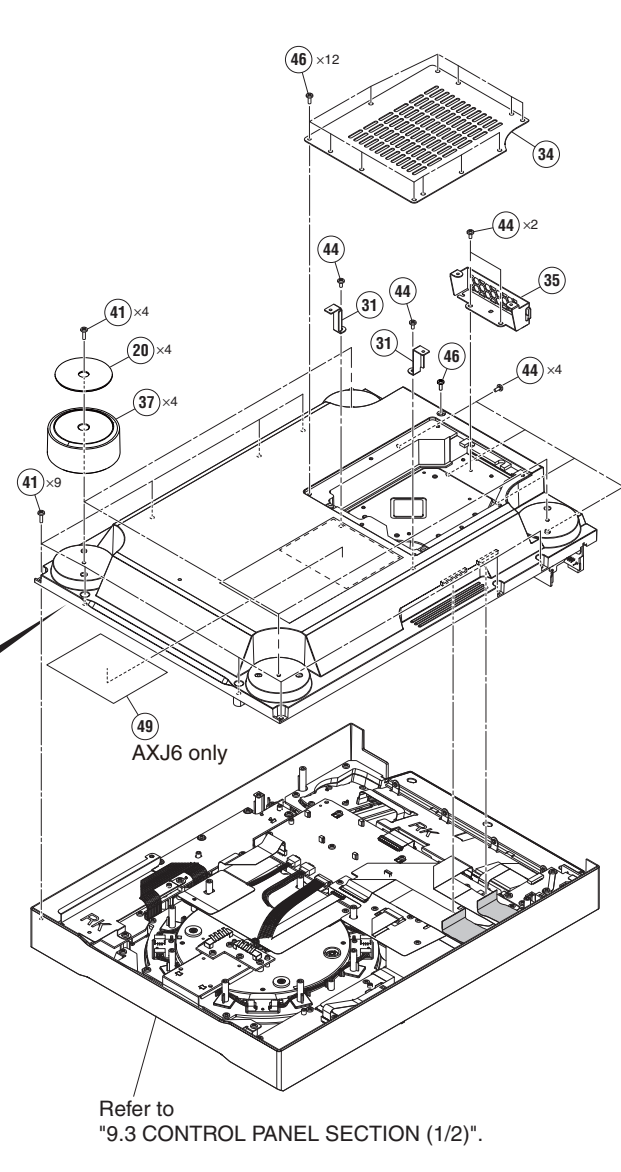
4

A  
B  
C  
D  
E  
F

• Top view



• Bottom view



AXJ6 only

Refer to "9.3 CONTROL PANEL SECTION (1/2)".

1

2

3

4

**(1) CHASSIS SECTION PARTS LIST**

| <u>Mark No.</u> | <u>Description</u> | <u>Part No.</u> | <u>Mark No.</u> | <u>Description</u> | <u>Part No.</u>        |
|-----------------|--------------------|-----------------|-----------------|--------------------|------------------------|
| 1               | MAIN Assy          | DWX4929         | 26              | Shield Case        | DNH3317                |
| 2               | USBA Assy          | DWX4930         | 27              | Shield Case        | DNH3632                |
| 3               | SDCB Assy          | DWX4931         | 28              | Stay               | DNH3328                |
| 4               | AUDB Assy          | DWX4628         | 29              | Stay               | DNH3578                |
| 5               | SoM Module         | DWX4722         | 30              | Stay               | DNH3630                |
| 6               | SSK1 Assy          | DWX4327         | 31              | Stay               | DNH3410                |
| 7               | SSK2 Assy          | DWX4328         | 32              | Shield Case        | DNH3579                |
| 8               | SSK3 Assy          | DWX4329         | 33              | Heat Sink          | DNH3580                |
| ⚠               | 9 SW POWER SUPPLY  | DWR1597         | 34              | Cover              | DNH3581                |
| ⚠               | 10 AC Inlet        | DKP3991         | 35              | Cover              | DNH3577                |
| 11              | Rivet (Plastic)    | RBM-003         | ⚠               | 36 Chassis         | DNK7171                |
| 12              | Crimp Connector    | DDC1024         | 37              | Insulator          | DNK6852                |
| 13              | Shield Case        | DNH3526         | 38              | Support            | DNH3582                |
| 14              | Holder             | VEC1355         | 39              | Support            | DNK6927                |
| 15              | Power Knob         | DAC2306         | 40              | Screw              | IBZ30P100FTB           |
| 16              | SD Earth Spring    | DBK1357         | 41              | Screw              | BPZ30P100FTB           |
| 17              | Heat Cond Sheet    | DEB2092         | 42              | Screw              | PMB20P080FNI           |
| 18              | Heat Cond Sheet    | DEB2093         | 43              | Screw              | PPZ30P080FTB           |
| 19              | Heat Cond Sheet    | DEB2094         | 44              | Screw              | BBZ30P060FTB           |
| 20              | Cushion            | DEC3838         | 45              | Screw              | BBZ30P080FTC           |
| 21              | Cushion            | DEC3884         | 46              | Screw              | BBZ30P080FTB           |
| 22              | Cushion            | DEC3921         | 47              | Screw              | PMH40P080FTC           |
| 23              | Cushion            | DEC3923         | 48              | Screw              | BPZ30P080FTC           |
| 24              | Gasket             | DEC4130         | NSP             | 49 Name Plate      | See contrast table (2) |
| 25              | Bracket/ACI        | DNH3020         |                 |                    |                        |

**(2) CONTRAST TABLE**

CDJ-3000/LSYXJ6, UXJCB6 and AXJ6 are constructed the same except for the following:

| Mark | No. | Symbol and Description | CDJ-3000/LSYXJ6 | CDJ-3000/UXJCB6 | CDJ-3000/AXJ6 |
|------|-----|------------------------|-----------------|-----------------|---------------|
| NSP  | 49  | Name Plate             | Not used        | Not used        | DAL1364       |

# 9.3 CONTROL PANEL SECTION (1/2)

1

2

3

4

A

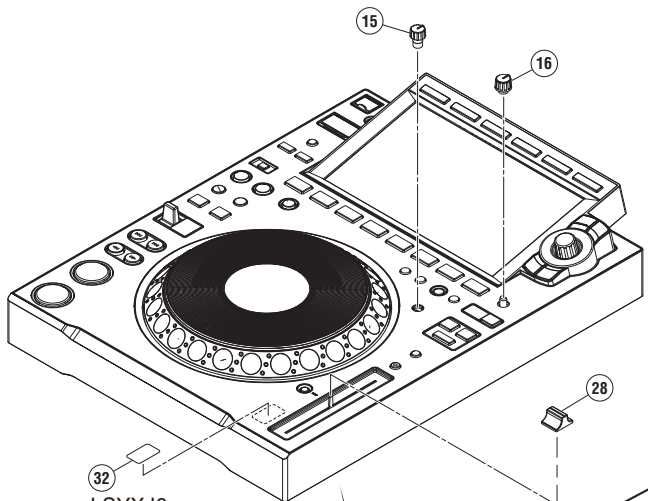
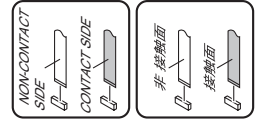
B

C

D

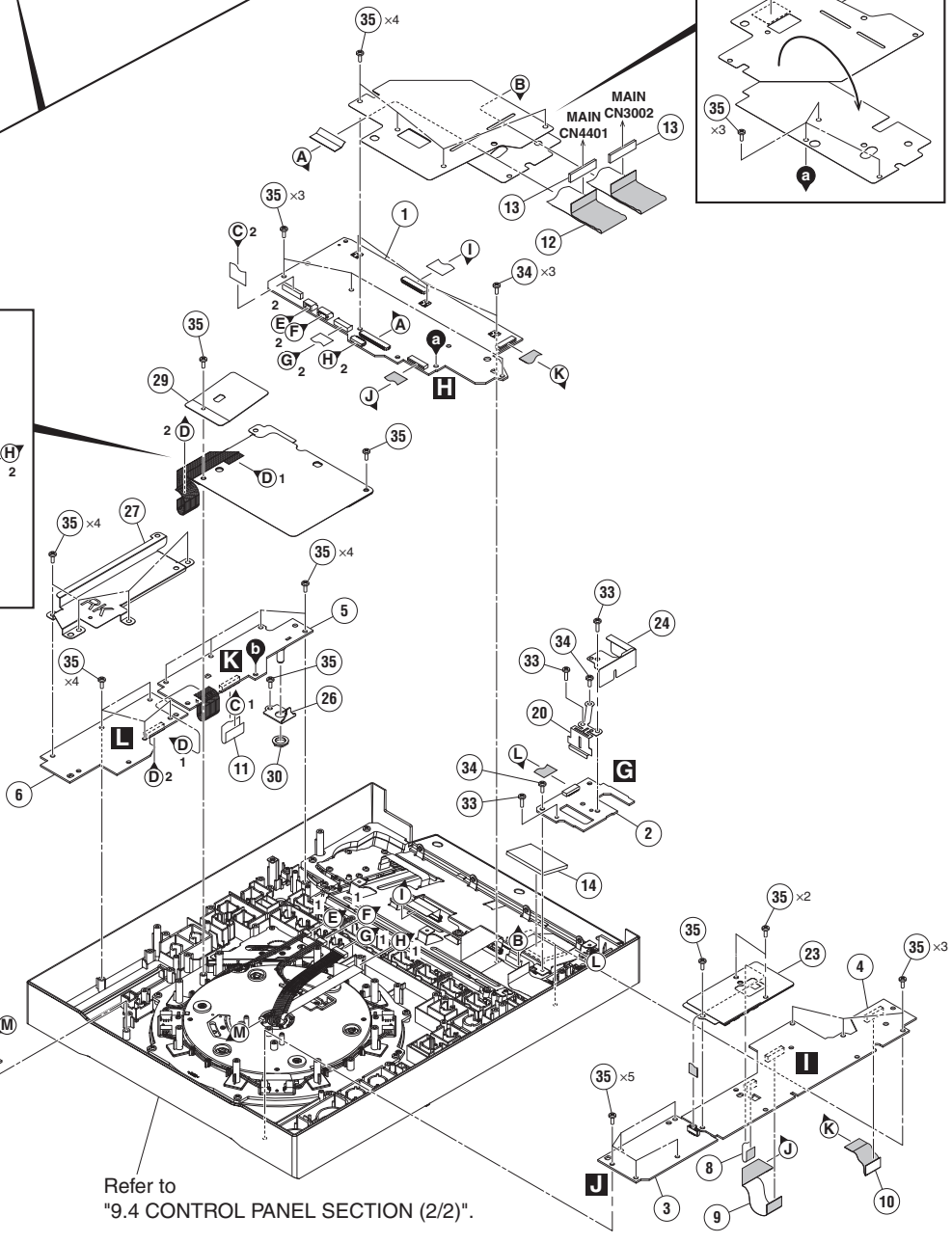
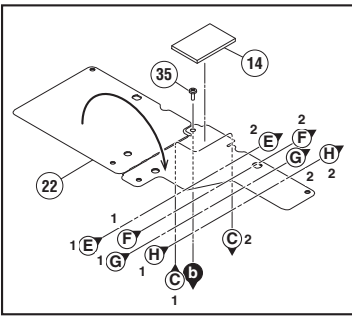
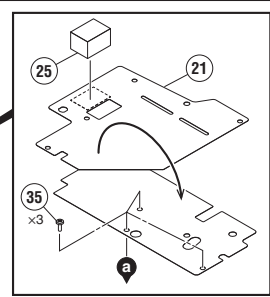
E

F



32  
LSYXJ6,  
UXJCB6  
only

• Bottom view



Refer to  
"9.4 CONTROL PANEL SECTION (2/2)".

1

2

3

4

**(1) CONTROL PANEL SECTION (1/2) PARTS LIST**

| <u>Mark No.</u> | <u>Description</u> | <u>Part No.</u> | <u>Mark No.</u> | <u>Description</u> | <u>Part No.</u>        |
|-----------------|--------------------|-----------------|-----------------|--------------------|------------------------|
| 1               | PNLB Assy          | DWX4934         | 21              | Sheet              | DEC3841                |
| 2               | ILMB Assy          | DWX4935         | 22              | Sheet              | DEC3842                |
| 3               | KSWB Assy          | DWX4941         | 23              | Sheet              | DEC3927                |
| 4               | SUB1 Assy          | DWX4264         | 24              | Sheet              | DEC3869                |
| 5               | SUB2 Assy          | DWX4265         | 25              | Cushion            | DEC3921                |
| 6               | SLDB Assy          | DWX4266         | 26              | Stay               | DNH3412                |
| 7               | CONB Assy          | DWX5086         | 27              | Shield Case        | DNH3613                |
| 8               | FFC                | DDD1914         | 28              | Knob/SLD           | DNK5981                |
| 9               | FFC                | DDD1915         | 29              | Barrier            | DEC3932                |
| 10              | FFC                | DDD1916         | 30              | Flange Nut M9      | DBN1008                |
| 11              | FFC                | DDD1917         | 31              | Stay               | DNH3612                |
| 12              | FFC                | DDD1921         | NSP 32          | Label              | See contrast table (2) |
| 13              | Ferrite Clamper    | DTX1011         | 33              | Screw              | BPZ30P100FTB           |
| 14              | Cushion            | DEC3922         | 34              | Screw              | BBZ30P080FTC           |
| 15              | Knob               | DAA1444         | 35              | Screw              | BPZ30P080FTC           |
| 16              | Knob               | DAA1405         | 36              | Screw              | BBZ30P060FTB           |
| 17              | .....              |                 |                 |                    |                        |
| 18              | .....              |                 |                 |                    |                        |
| 19              | .....              |                 |                 |                    |                        |
| 20              | Leaf Spring        | DBK1386         |                 |                    |                        |

**(2) CONTRAST TABLE**

CDJ-3000/LSYXJ6, UXJCB6 and AXJ6 are constructed the same except for the following:

| Mark | No. | Symbol and Description | CDJ-3000/LSYXJ6 | CDJ-3000/UXJCB6 | CDJ-3000/AXJ6 |
|------|-----|------------------------|-----------------|-----------------|---------------|
| NSP  | 32  | Label                  | DRW3080         | DRW3080         | Not used      |

# 9.4 CONTROL PANEL SECTION (2/2)

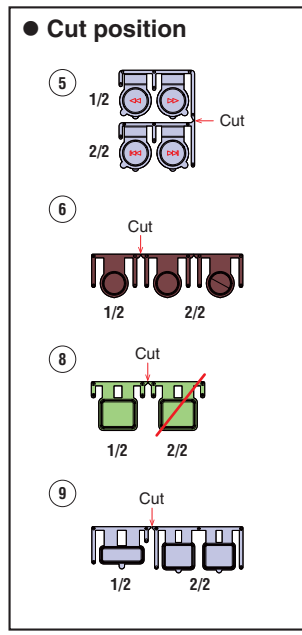
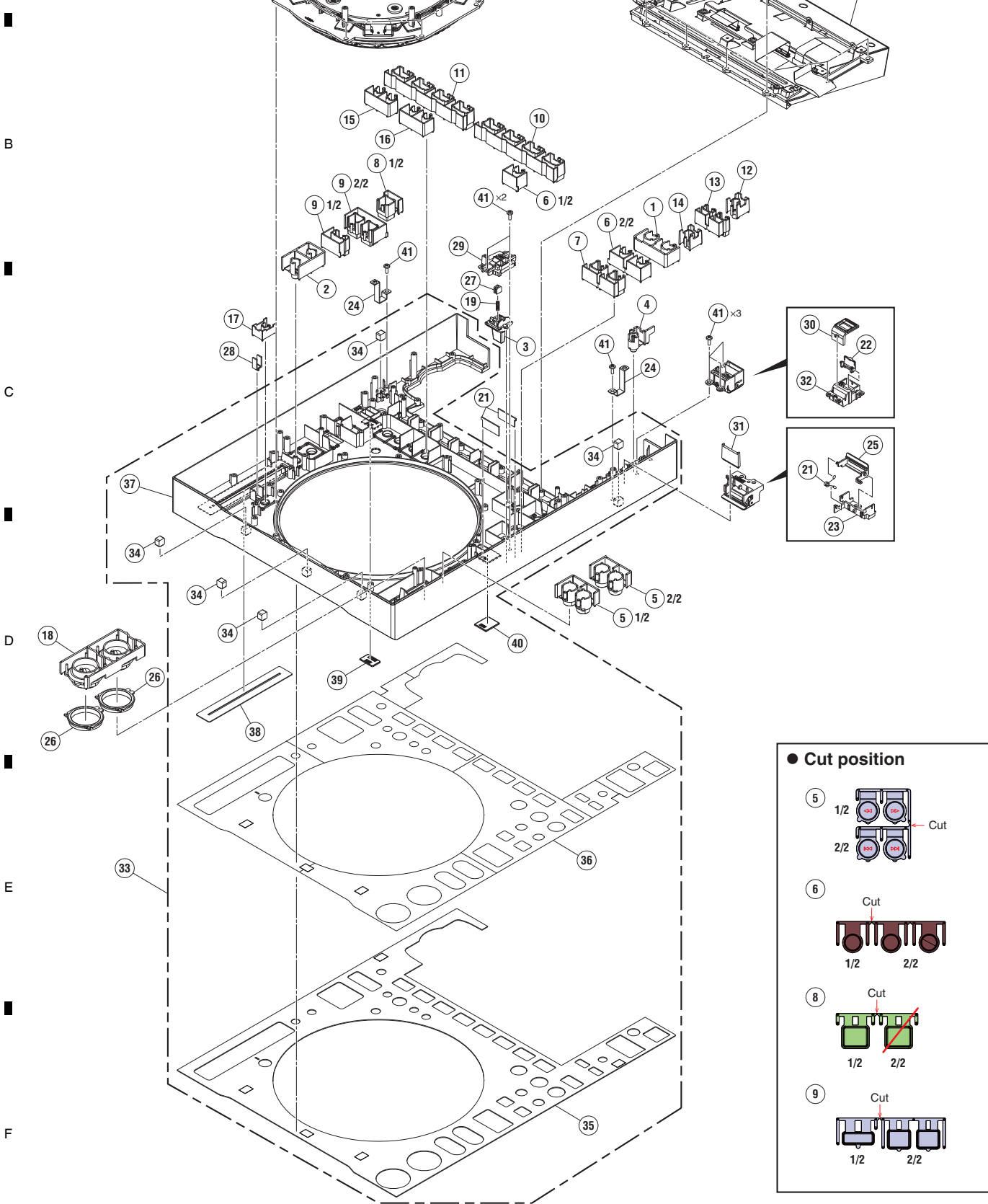
A • Bottom view

Refer to "7. DISASSEMBLY"



Refer to "9.6 JOG DIAL SECTION".

Refer to "9.5 DISPLAY SECTION".



## CONTROL PANEL SECTION PARTS LIST

| <u>Mark No.</u> | <u>Description</u>    | <u>Part No.</u> |   |
|-----------------|-----------------------|-----------------|---|
| 1               | Button (LOOP)         | DAC2470         |   |
| 2               | Button (TEMPO)        | DAC2474         | A |
| 3               | Lever                 | DAC3097         |   |
| 4               | Button                | DAC3134         |   |
| 5               | Button                | DAC3149         |   |
| 6               | Button                | DAC3463         |   |
| 7               | Button                | DAC3464         |   |
| 8               | Button                | DAC3465         |   |
| 9               | Button                | DAC3466         |   |
| 10              | Button                | DAC3467         |   |
| 11              | Button                | DAC3468         | B |
| 12              | Button                | DAC3469         |   |
| 13              | Button                | DAC3470         |   |
| 14              | Button                | DAC3472         |   |
| 15              | Button                | DAC3474         |   |
| 16              | Button                | DAC3475         |   |
| 17              | Button                | DAC3476         |   |
| 18              | Button Unit           | DXB2197         |   |
| 19              | Lever Spring          | DBH1702         |   |
| 20              | Spring                | DBH1717         | C |
| 21              | Brake                 | DEC3948         |   |
| 22              | Door                  | DNK6497         |   |
| 23              | Holder                | DNK6498         |   |
| 24              | Stay                  | DNH3633         |   |
| 25              | SD Card Door          | DNK5308         |   |
| 26              | Ring Lens (PLAY)      | DNK5315         |   |
| 27              | Lever Cap             | DNK5344         |   |
| 28              | Lens                  | DNK5862         |   |
| 29              | Base                  | DNK6470         | D |
| 30              | Lens                  | DNK6931         |   |
| 31              | Lens                  | DNK6937         |   |
| 32              | Holder                | DNK6496         |   |
| 33              | 1..Panel Service Assy | DEA1166         |   |
| 34              | 2..Gasket             | DEC4141         |   |
| NSP 35          | 2..Panel              | .....           |   |
| NSP 36          | 2..DD ADH Sheet       | .....           |   |
| △NSP 37         | 2..Control Panel      | .....           |   |
| 38              | 2..Slide Sheet 1C     | DAH2404         | E |
| 39              | 2..Panel              | DAH3257         |   |
| 40              | 2..Panel              | DAH3256         |   |
| 41              | Screw                 | BPZ30P080FTC    |   |

# 9.5 DISPLAY SECTION

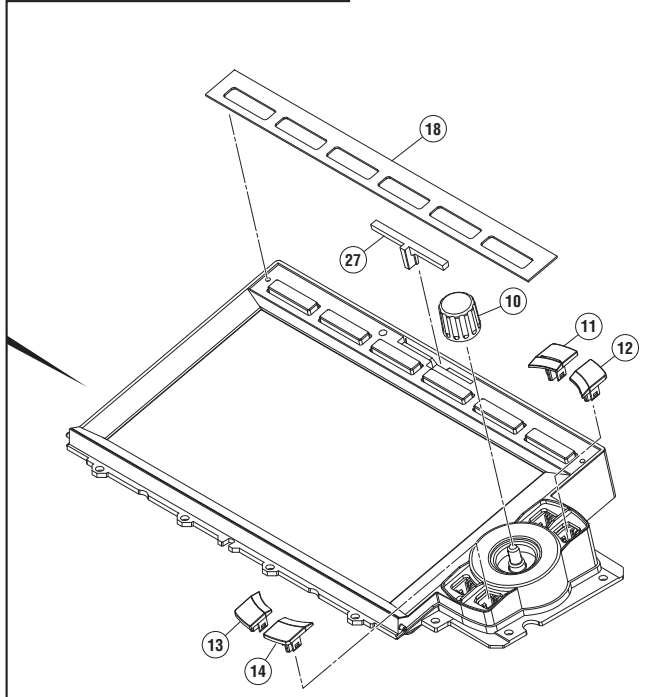
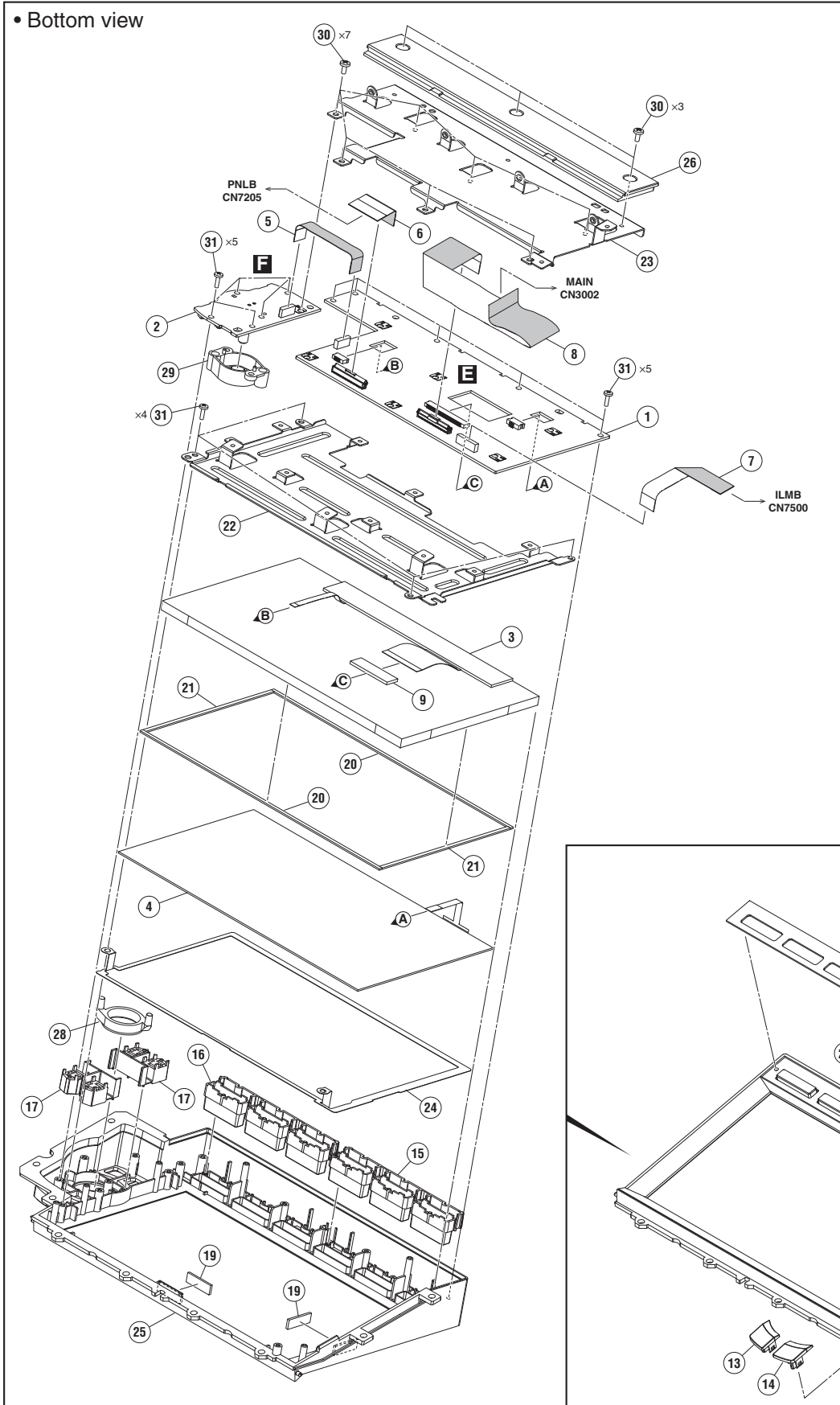
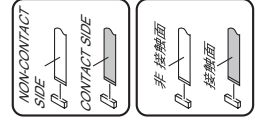
1

2

3

4

• Bottom view



1

2

3

4

## DISPLAY SECTION PARTS LIST

| <u>Mark No.</u> | <u>Description</u> | <u>Part No.</u> |   |
|-----------------|--------------------|-----------------|---|
| 1               | MLCB Assy          | DWX4281         |   |
| 2               | ENCB Assy          | DWX4326         | A |
| 3               | TFT LCD            | DWX4227         |   |
| 4               | Touch Panel        | DSX1145         |   |
| 5               | FFC                | DDD1918         |   |
| 6               | FFC                | DDD1919         |   |
| 7               | FFC                | DDD1920         |   |
| 8               | FFC                | DDD1922         |   |
| 9               | Ferrite Clamper    | DTX1011         |   |
| 10              | Dial Knob          | DAA1246         |   |
| 11              | Button             | DAC3457         | B |
| 12              | Button             | DAC3459         |   |
| 13              | Button             | DAC3485         |   |
| 14              | Button             | DAC3458         |   |
| 15              | Button             | DAC3461         |   |
| 16              | Button             | DAC3462         |   |
| 17              | Button             | DAC3460         |   |
| 18              | Panel              | DAH3259         |   |
| 19              | Packing/LCD        | DEC3565         |   |
| 20              | Cushion            | DEC3839         | C |
| 21              | Cushion            | DEC3840         |   |
| 22              | Stay               | DNH3411         |   |
| 23              | Shield Case        | DNH3631         |   |
| 24              | Plate              | DNH3422         |   |
| 25              | Control Panel      | DNK6855         |   |
| 26              | Cover              | DNK6857         |   |
| 27              | Lens               | DNK6858         |   |
| 28              | Lens               | DNK6859         |   |
| 29              | Holder             | DNK6860         | D |
| 30              | Screw              | BBZ30P060FTB    |   |
| 31              | Screw              | BPZ26P080FTC    |   |

# 9.6 JOG DIAL SECTION

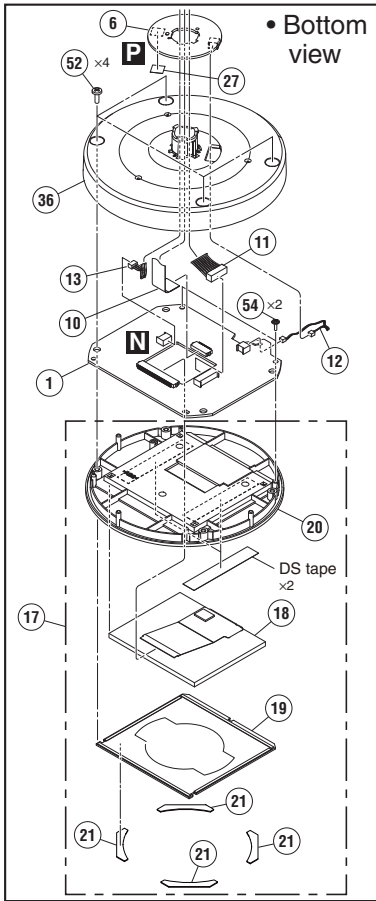
1

2

3

4

A



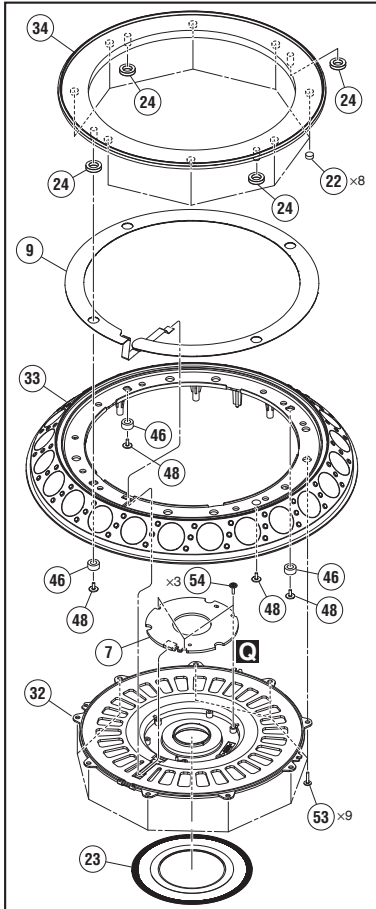
B

C

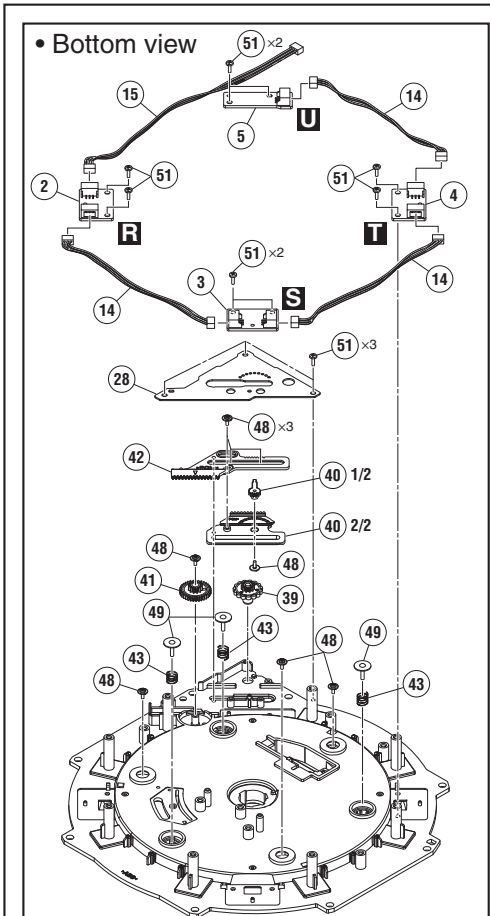
D

E

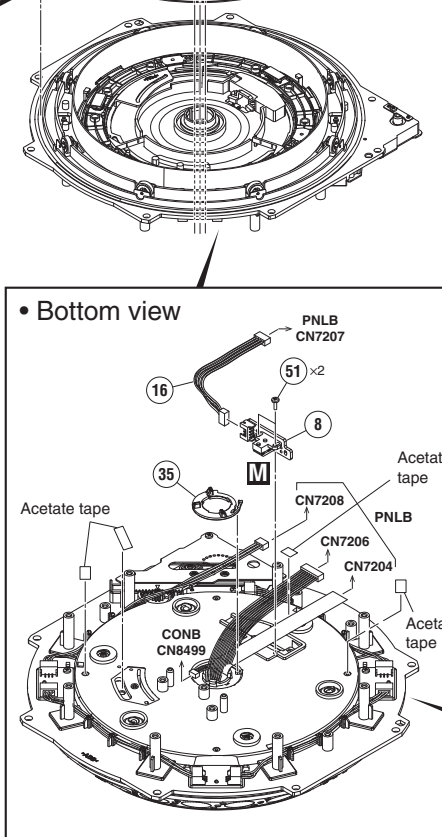
F



• Bottom view



• Bottom view



1

2

3

4

## JOG DIAL SECTION PARTS LIST

| <u>Mark No.</u> | <u>Description</u>     | <u>Part No.</u> | <u>Mark No.</u> | <u>Description</u> | <u>Part No.</u> |   |
|-----------------|------------------------|-----------------|-----------------|--------------------|-----------------|---|
| 1               | JLCD Assy              | DWX4933         | 46              | Damper             | DEB2083         |   |
| 2               | JILM1 Assy             | DWX4936         | 47              | Leaf Spring        | DBK1394         | A |
| 3               | JILM2 Assy             | DWX4937         | 48              | Screw (FE)         | DBA1265         |   |
| 4               | JILM3 Assy             | DWX4938         | 49              | Float Fastener     | DBA1286         |   |
| 5               | JILM4 Assy             | DWX4939         | 50              | Screw              | BPZ20P040FTB    |   |
| 6               | COIL1 Assy             | DWX4262         | 51              | Screw              | BPZ20P060FTC    |   |
| 7               | COIL2 Assy             | DWX4263         | 52              | Screw              | BPZ30P080FTC    |   |
| 8               | JOGB Assy              | DWX4270         | 53              | Screw              | IPZ20P080FTC    |   |
| 9               | Sensor                 | DSX1139         | 54              | Screw              | IPZ20P060FTC    |   |
| 10              | FFC                    | DDD1913         |                 |                    |                 |   |
| 11              | Crimp Connector        | DDC1032         |                 |                    | B               |   |
| 12              | Crimp Connector        | DDC1033         |                 |                    |                 |   |
| 13              | Crimp Connector        | DDC1034         |                 |                    |                 |   |
| 14              | Connector Assy         | PF03PP-B12      |                 |                    |                 |   |
| 15              | Connector Assy         | PF03PP-B17      |                 |                    |                 |   |
| 16              | Connector Assy         | PF04PP-C10      |                 |                    |                 |   |
| 17              | 1..Jog LCD Holder Assy | DEA1167         |                 |                    |                 |   |
| NSP 18          | 2..TFT LCD             | .....           |                 |                    |                 |   |
| NSP 19          | Cover                  | .....           |                 |                    |                 |   |
| NSP 20          | Holder                 | .....           |                 |                    | C               |   |
| NSP 21          | Sheet                  | .....           |                 |                    |                 |   |
| 22              | SW Cushion HH48/2      | DEC2538         |                 |                    |                 |   |
| 23              | Slit                   | DEC3589         |                 |                    |                 |   |
| 24              | Cushion                | DEC3807         |                 |                    |                 |   |
| 25              | Window                 | DAH3206         |                 |                    |                 |   |
| 26              | Brake                  | DED1189         |                 |                    |                 |   |
| 27              | DS Tape                | DEH1111         |                 |                    |                 |   |
| 28              | Cover                  | DNH3367         |                 |                    |                 |   |
| 29              | Base                   | DNK6774         |                 |                    | D               |   |
| 30              | Cam                    | DNK6775         |                 |                    |                 |   |
| 31              | Base                   | DNK6776         |                 |                    |                 |   |
| 32              | Jog Dial               | DNK6777         |                 |                    |                 |   |
| 33              | Jog Dial               | DNK6778         |                 |                    |                 |   |
| 34              | Base                   | DNK6779         |                 |                    |                 |   |
| 35              | Holder                 | DNK6780         |                 |                    |                 |   |
| 36              | Holder                 | DNK6782         |                 |                    |                 |   |
| 37              | Holder                 | DNK6784         |                 |                    |                 |   |
| 38              | Shaft                  | DNK6785         |                 |                    | E               |   |
| 39              | Gear                   | DNK6786         |                 |                    |                 |   |
| 40              | Gear                   | DNK6787         |                 |                    |                 |   |
| 41              | Gear                   | DNK6788         |                 |                    |                 |   |
| 42              | Gear                   | DNK6789         |                 |                    |                 |   |
| 43              | Spring                 | DBH1816         |                 |                    |                 |   |
| 44              | Roller                 | DXB2178         |                 |                    |                 |   |
| 45              | Spring                 | DBH1817         |                 |                    | F               |   |