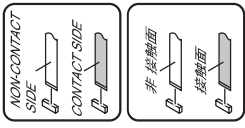
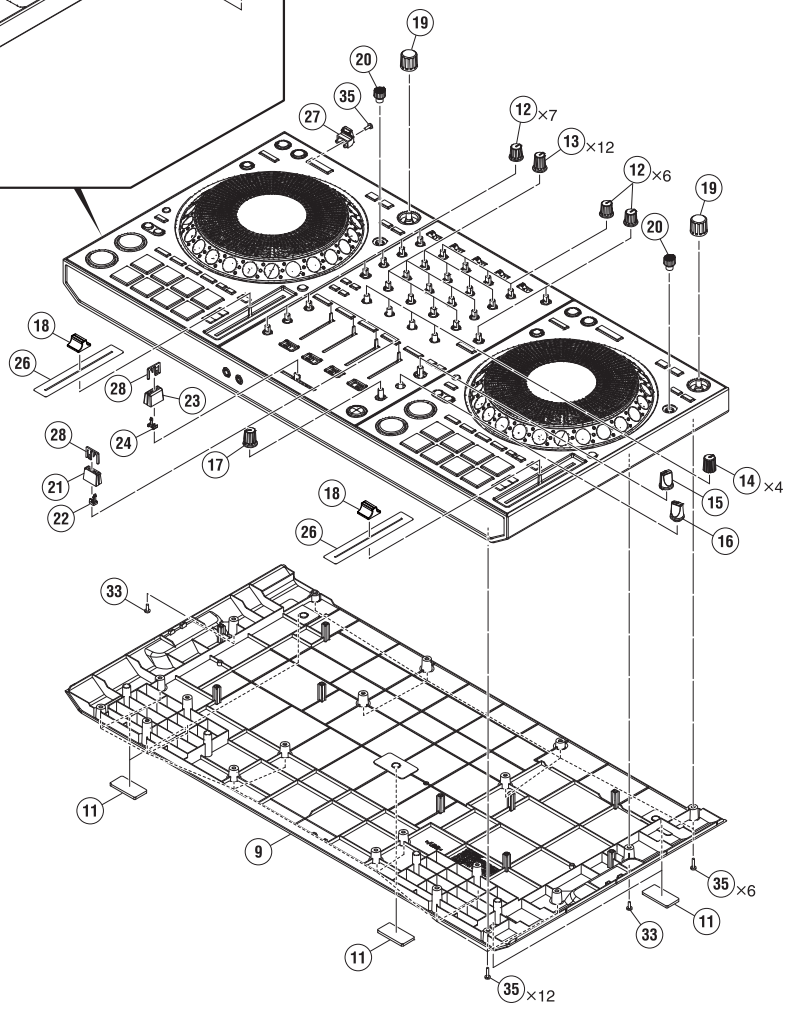
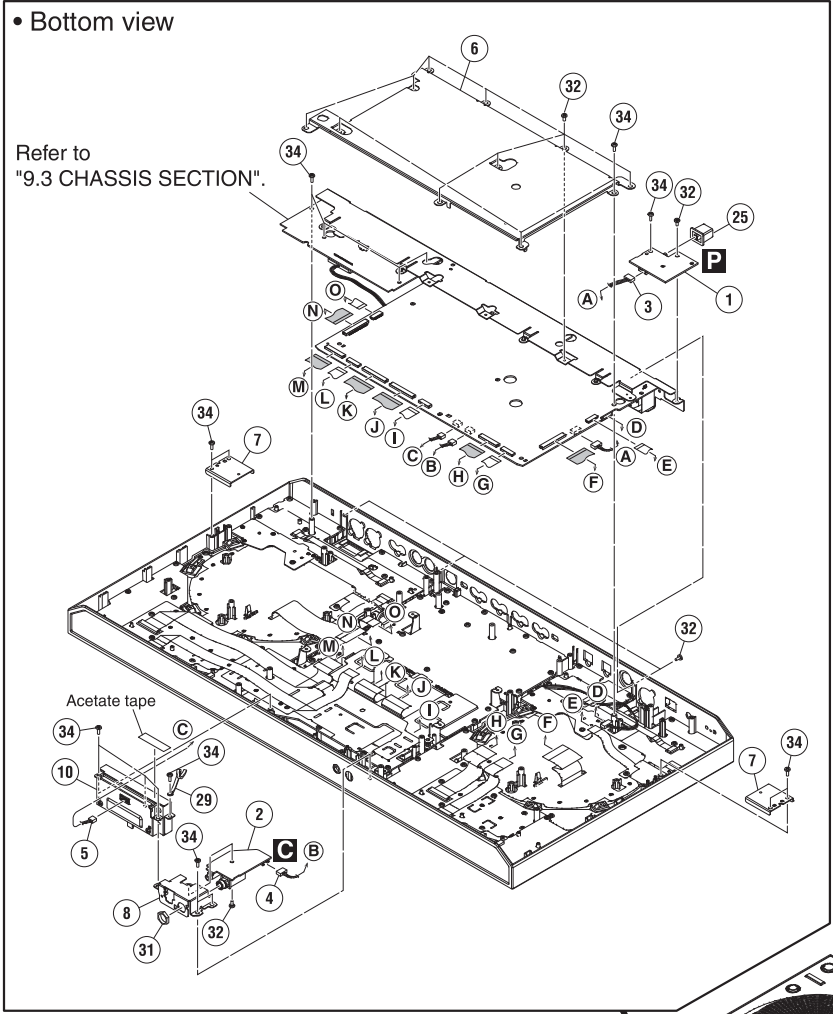


9.2 BOTTOM SECTION



(1) BOTTOM SECTION PARTS LIST

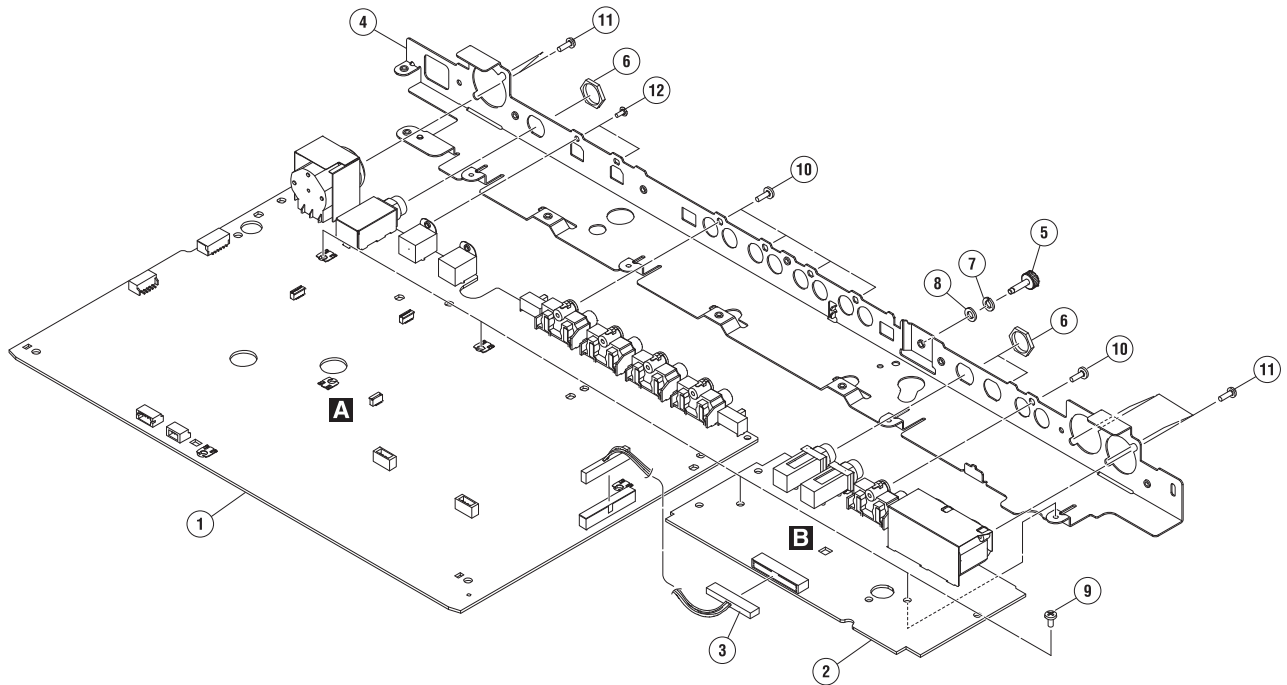
<u>Mark No.</u>	<u>Description</u>	<u>Part No.</u>	<u>Mark No.</u>	<u>Description</u>	<u>Part No.</u>
A	1 PSWB Assy	DWX4114	21	Slider Knob 1	See Contrast table (2)
	2 HPJK Assy	DWX4116	22	Stopper/SLD	DNK6009
	3 Connector Assy (05P)	PF05PP-D12	23	Knob	See Contrast table (2)
	4 Connector Assy	PF04PP-D10	24	Stopper	DNK6440
	5 Connector Assy	PF03PP-B22	25	Power Knob	DAC2306
	6 Shield Plate	DNH3342	26	Slide Sheet 1C	See Contrast table (2)
	7 Stay	DNH3351	27	Cord Hook	DNK6755
	8 Stay	DNH3449	28	Slider Knob 2	DAC2685
⚠	9 Chassis	DNK6747	29	Cord Clamper (Steel)	RNH-184
	10 Cross Fader Service Assy	DEA1088	30	•••••	
B	11 Sheet/LEG	DEC3534	31	Nut M12	DBN1018
	12 Knob	DAA1432	32	Screw	BBZ30P060FTB
	13 Knob	DAA1433	33	Screw	BBZ30P080FTB
	14 Knob	DAA1386	34	Screw	BPZ30P080FNI
	15 Select Knob	DAA1205	35	Screw	BPZ30P120FTB
	16 FX SEL Knob	DAA1213			
	17 Knob	DAA1434			
	18 Knob/SLD	DNK6682			
	19 Dial Knob	DAA1399			
C	20 Adjust Knob Black	DAA1406			

(2) CONTRAST TABLE

DDJ-1000SRT and DDJ-1000SRT-W are constructed the same except for the following:

Mark	No.	Symbol and Description	DDJ-1000SRT	DDJ-1000SRT-W
	21	Slider Knob 1	DAC2912	DAC2684
	23	Knob	DAC3437	DAC3238
	26	Slide Sheet 1C	DAH2404	DAH3193

9.3 CHASSIS SECTION



CHASSIS SECTION PARTS LIST

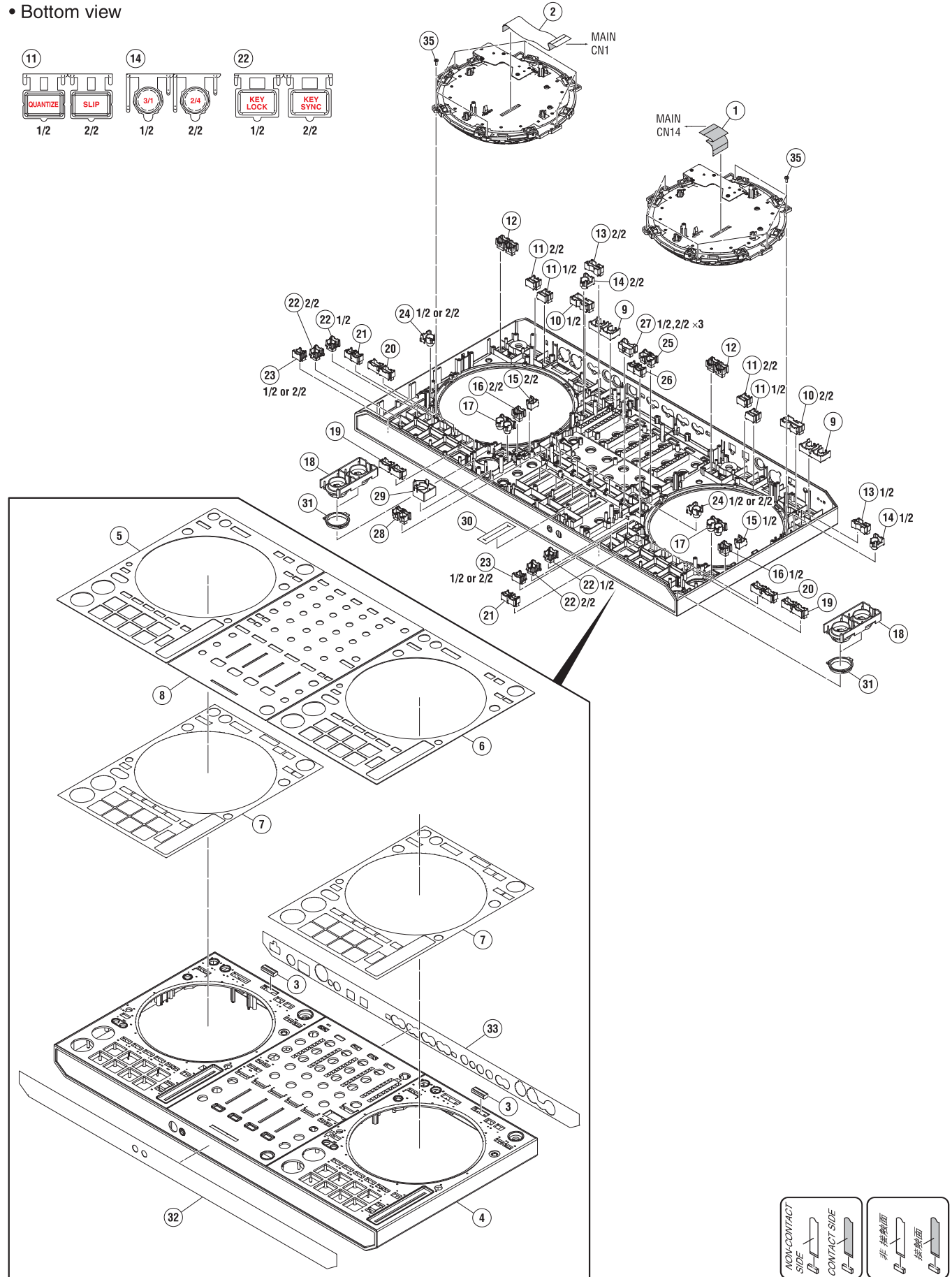
<u>Mark No.</u>	<u>Description</u>	<u>Part No.</u>
1	MAIN Assy	DWX4373
2	MOUT Assy	DWX4115
3	Crimp Connector	PF16PP-D15
4	Stay	DNH3341
5	Earth Terminal	DKE1015
6	Nut	NKX2FTC
7	Spring Lock Washer	WS40FNI
8	Washer	WA32F100Q050
9	Screw	BBZ30P060FTB
10	Screw	BPZ30P080FTB
11	Screw	PPZ30P080FTB
12	Screw (M3*5)	DBA1340

CONTROL PANEL SECTION (1/2) PARTS LIST

<u>Mark No.</u>	<u>Description</u>	<u>Part No.</u>	
1	OLED Assy	DWX4106	
2	LOOP Assy	DWX4108	A
3	BRWS Assy	DWX4109	
4	PADB Assy	DWX4110	
5	PLAY Assy	DWX4111	
6	MIXER Assy	DWX4112	
7	BFXB Assy	DWX4117	
8	OLED Assy (Service)	DEA1084	
9	FFC	DDD1831	
10	FFC	DDD1832	
11	FFC	DDD1833	B
12	FFC	DDD1834	
13	FFC	DDD1835	
14	FFC	DDD1836	
15	FFC	DDD1839	
16	FFC	DDD1840	
17	FFC	DDD1841	
18	FFC	DDD1842	
19	FFC	DDD1844	
20	FFC	DDD1845	C
21	Shielded Conn-Cable	DDA1082	
22	I-Shield Sheet	DEC3765	
23	Sheet	DEC3770	
24	Sheet	DEC3771	
25	Sheet	DEC3772	
26	Sheet	DEC3773	
27	Sheet	DEC3774	
28	Spacer	DEC3775	
29	Stay	DNH3343	D
30	Stay	DNH3346	
31	Stay	DNH3347	
32	Stay	DNF2039	
⚠ 33	Sheet	DEC3780	
34	Cord Clamper (Steel)	RNH-184	
35	SW Cap	DAC2753	
36	Slide SW Cap (W)	DAC2401	
37	Button	DEB2059	
38	•••••		E
39	Screw	PMH20P040FTC	
40	Screw	BPZ20P040FTB	
41	Screw	BPZ30P080FNI	

9.5 CONTROL PANEL SECTION (2/2)

A • Bottom view



(1) CONTROL PANEL SECTION (2/2) PARTS LIST

<u>Mark No.</u>	<u>Description</u>	<u>Part No.</u>	<u>Mark No.</u>	<u>Description</u>	<u>Part No.</u>
1	FFC	DDD1837	21	Button	DAC3366
2	FFC	DDD1838	22	Button	DAC3510
3	EMC Gasket	DEC3766	23	Button	DAC3515
⚠	4 Control Panel	See Contrast table (2)	24	Button	DAC3512
5	Plate	See Contrast table (2)	25	Button	DAC3370
6	Plate	See Contrast table (2)	26	Button	DAC3371
7	DS Tape	DEH1095	27	Button	DAC3219
8	Plate	See Contrast table (2)	28	Button	DAC3372
9	Button/LOP	DAC3074	29	Button	DAC3141
10	Button	DAC3514	30	Fader Packing	DEC3355
11	Button	DAC3357	31	Ring Lens (PLAY)	DNK5315
12	Button	DAC3503	32	Sheet	See Contrast table (2)
13	Button	DAC3504	33	Sheet	See Contrast table (2)
14	Button	DAC3360	34	•••••	
15	Button	DAC3361	35	Screw	BPZ30P080FNI
16	Button	DAC3506			
17	Button	DAC3507			
18	Button	DXB2170			
19	Button	DAC3508			
20	Button	DAC3509			

(2) CONTRAST TABLE

DDJ-1000SRT/FWLXJ, SYXJ, UXJCB, XJCN and DDJ-1000SRT-W/UXJ are constructed the same except for the following:

Mark	No.	Symbol and Description	DDJ-1000SRT /FWLXJ	DDJ-1000SRT /SYXJ	DDJ-1000SRT /UXJCB	DDJ-1000SRT /XJCN	DDJ-1000SRT-W /UXJ
⚠	4	Control Panel	DNK6888	DNK6888	DNK6888	DNK6888	DNK6908
	5	Plate	DAH3290	DAH3290	DAH3290	DAH3290	DAH3296
	6	Plate	DAH3291	DAH3291	DAH3291	DAH3291	DAH3297
	8	Plate	DAH3292	DAH3292	DAH3292	DAH3292	DAH3298
	32	Sheet	DEC3865	DEC3865	DEC3865	DEC3865	DEC3894
	33	Sheet	DEC3866	DEC3866	DEC3866	DEC3867	DEC3895

9.6 JOG DIAL SECTION

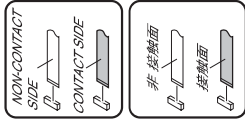
1

2

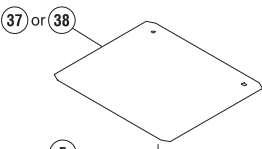
3

4

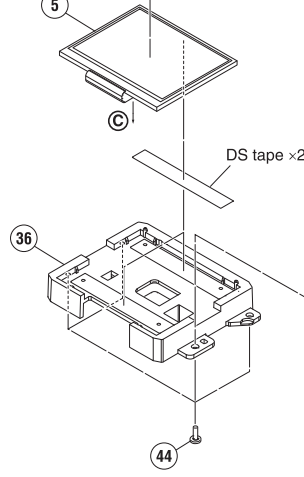
A



B



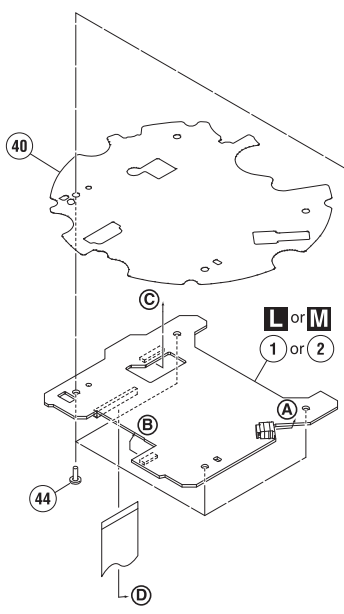
C



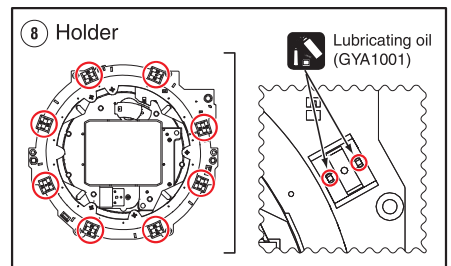
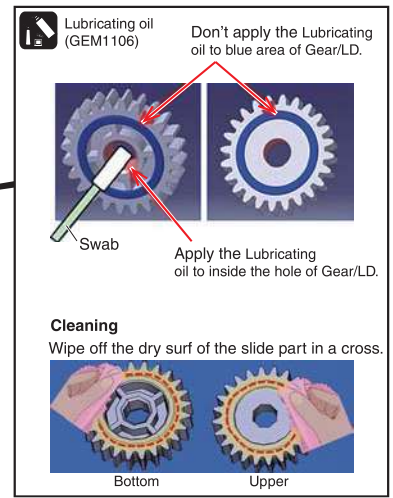
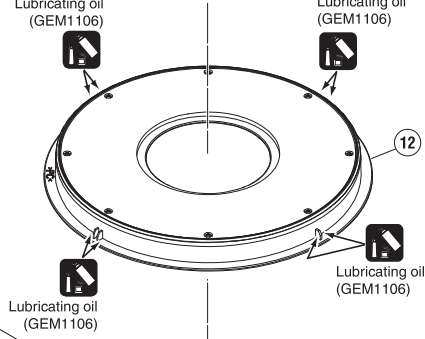
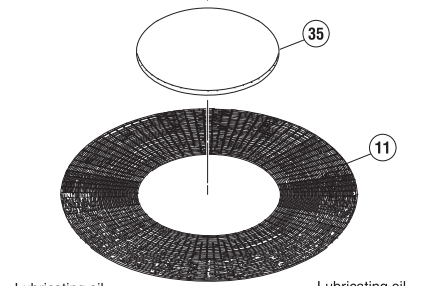
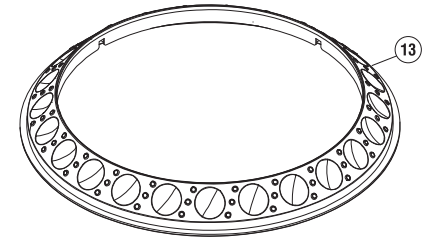
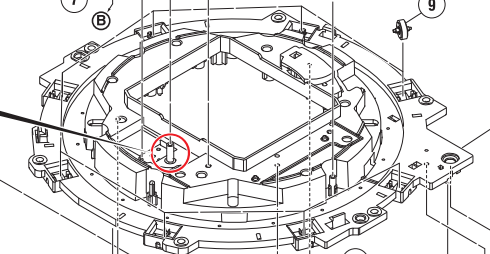
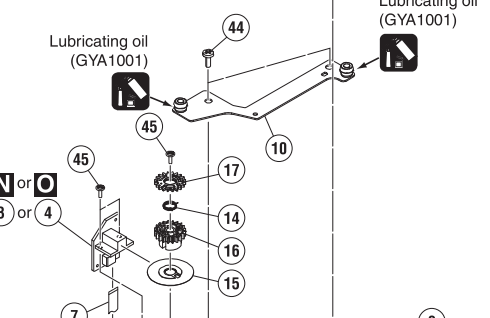
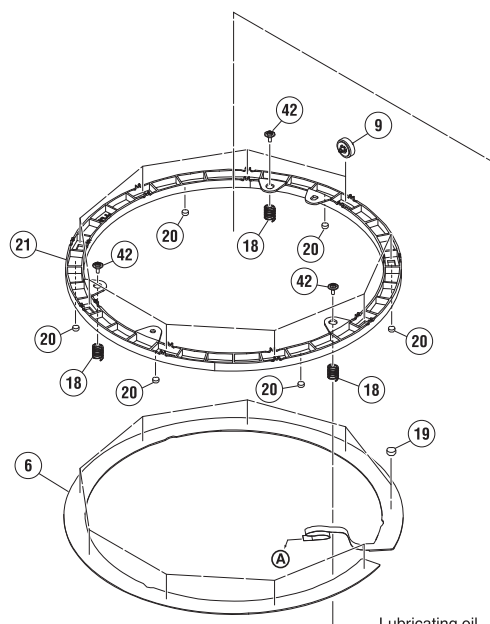
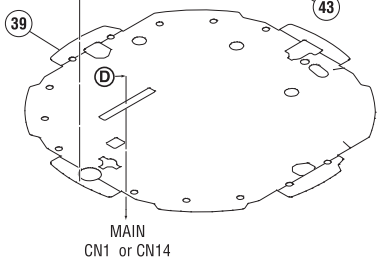
D



E



F



1

2

3

4

(1) JOG DIAL SECTION PARTS LIST

<u>Mark No.</u>	<u>Description</u>	<u>Part No.</u>	<u>Mark No.</u>	<u>Description</u>	<u>Part No.</u>
1	LCDL Assy	DWX4380	26	Comp Plate	DNK5243
2	LCDR Assy	DWX4381	27	Adjust Plate	DNK5300
3	JOGL Assy	DWX4113	28	Cam Plate	DNK5301
4	JOGR Assy	DWX4119	29	Dial Gear	DNK5302
5	TFT LCD	DWX4141	30	Link Gear A	DNK5303
6	Sheet SW	DSX1078	31	Link Gear B	DNK5304
7	FFC	DDD1843	32	Plate	DNK6748
8	Holder	DNK6745	33	Gear/LD	DNK6145
9	Roller	DXB2178	34	Plate	DNH3345
10	Stay Assy/JOG	DXB2133	35	Window	DAH3189
11	JOG Plate	See Contrast table (2)	36	Holder	DNK6749
12	JOG Dial A Assy	DXA2159	37	Sheet	DEC3863
13	JOG B	See Contrast table (2)	38	Sheet	DEC3864
14	Encoder Spring	DBH1710	39	Barrier	DEC3798
15	Plate	DEC3700	40	Barrier	DEC3799
16	Gear/A	DNK6143	41	•••••	
17	Gear/B	DNK6144	42	Screw (FE)	DBA1265
18	SW Spring	DBH1681	43	Screw	BPZ20P100FTC
19	SW Cushion HH48/2	DEC2538	44	Screw	BPZ30P080FNI
20	Cushion/RNG	DEC3466	45	Screw	IPZ20P060FTC
21	SW Ring	DNK5233			
22	Coil Spring/LD	DBH1798			
23	Leaf Spring/ADJ	DBK1376			
24	Washer	DEC3137			
25	Smoother	DNK5237			

(2) CONTRAST TABLE

DDJ-1000SRT and DDJ-1000SRT-W are constructed the same except for the following:

Mark	No.	Symbol and Description	DDJ-1000SRT	DDJ-1000SRT-W
	11	JOG Plate	DAH2679	DAH2898
	13	JOG B	DNK4068	DNK6135