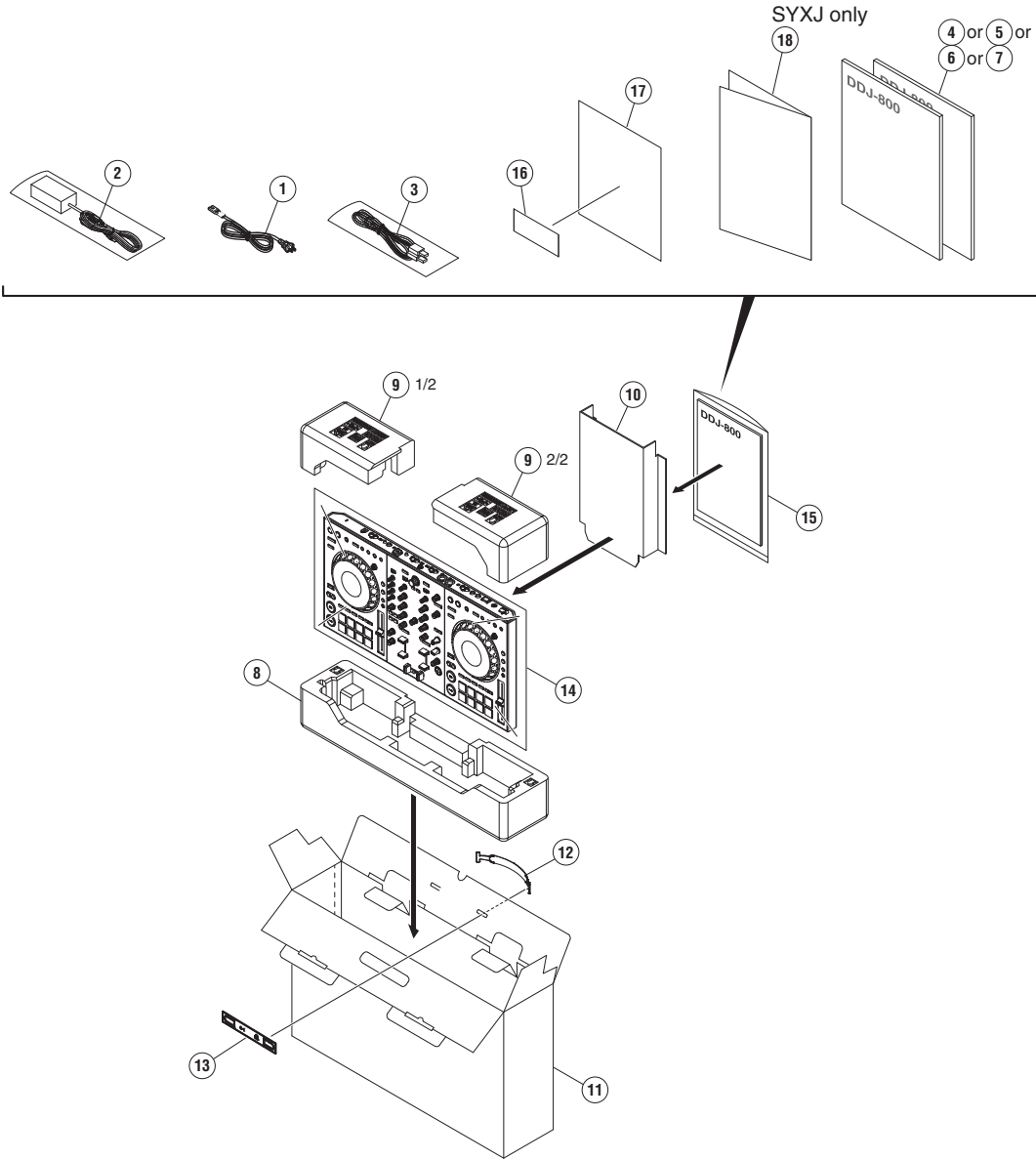


9. EXPLODED VIEWS AND PARTS LIST

- NOTES:
- Parts marked by "NSP" are generally unavailable because they are not in our Master Spare Parts List.
 - The \triangle mark found on some component parts indicates the importance of the safety factor of the part. Therefore, when replacing, be sure to use parts of identical designation.
 - Screws adjacent to ∇ mark on product are used for disassembly.
 - For the applying amount of lubricants or glue, follow the instructions in this manual. (In the case of no amount instructions, apply as you think it appropriate.)

9.1 PACKING SECTION



(1) PACKING SECTION PARTS LIST

<u>Mark No.</u>	<u>Description</u>	<u>Part No.</u>	<u>Mark No.</u>	<u>Description</u>	<u>Part No.</u>
⚠	1 Power Cord	See Contrast table (2)	8	Packing Pad	DHA1989
⚠	2 AC Adapter	See Contrast table (2)	9	Packing Pad	DHA1990
	3 USB Cable	DDE1150	10	Partition	DHC1106
	4 Operating Instructions (Quick Start Guide)	See Contrast table (2)	11	Packing Case	See Contrast table (2)
	5 Operating Instructions (Quick Start Guide)	See Contrast table (2)	12	Handle	DEC3783
	6 Operating Instructions (Quick Start Guide)	See Contrast table (2)	13	Spacer	DEC3784
	7 Operating Instructions (Quick Start Guide)	See Contrast table (2)	14	Packing Sheet	RHC1023
			NSP 15	Polyethylene Bag	AHG7117
			NSP 16	rekordbox dj license key card	DXA2304
			NSP 17	Leaflet	DRM1410
			NSP 18	Warranty	See Contrast table (2)

(2) CONTRAST TABLE

DDJ-800/FWLPWXJ, SYXJ, UXJCB and XJCN are constructed the same except for the following:

Mark	No.	Symbol and Description	DDJ-800 /FWLPWXJ	DDJ-800 /SYXJ	DDJ-800 /UXJCB	DDJ-800 /XJCN
⚠	1	Power Cord	ADG1154	ADG1154	XDG3052	ADG7079
⚠	2	AC Adapter	DWR1578	DWR1576	DWR1576	DWR1578
	4	Operating Instructions (Quick Start Guide)(En, Es)	DRH1527	Not used	Not used	Not used
	5	Operating Instructions (Quick Start Guide) (En, Fr, De, It, Nl, Es, Pt, Ru)	Not used	DRH1526	Not used	Not used
	6	Operating Instructions (Quick Start Guide)(En, Fr)	Not used	Not used	DRH1525	Not used
	7	Operating Instructions (Quick Start Guide)(Zhcn)	Not used	Not used	Not used	DRH1529
	11	Packing Case	DHG3662	DHG3662	DHG3662	DHG3663
NSP	18	Warranty	Not used	DRY1270	Not used	Not used

9.2 BOTTOM SECTION

A

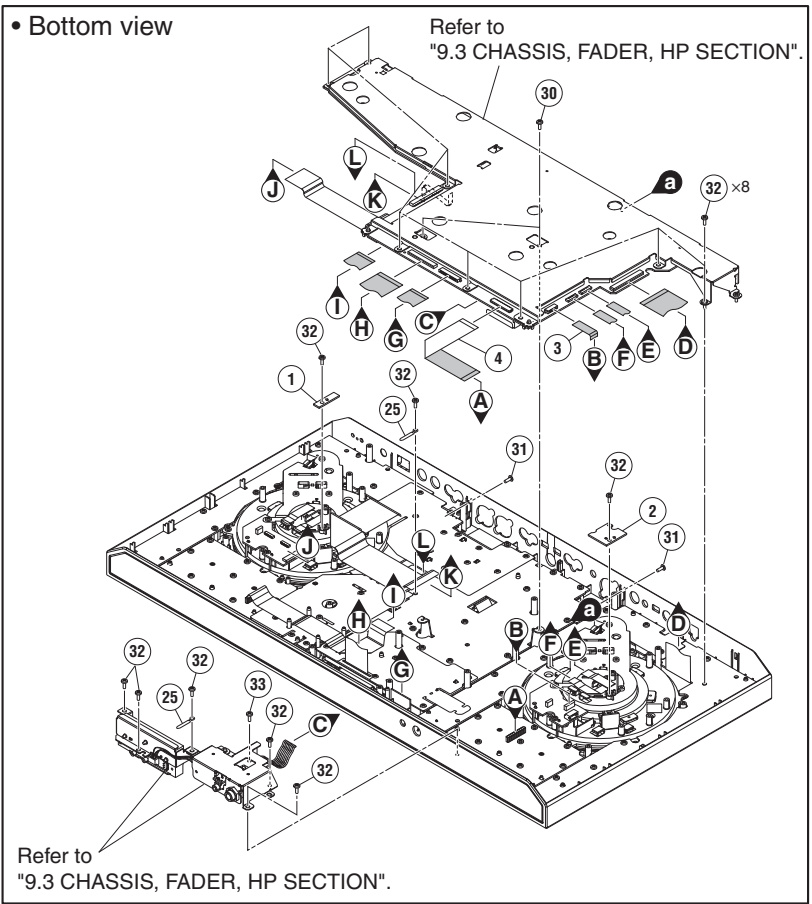
B

C

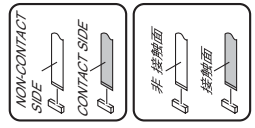
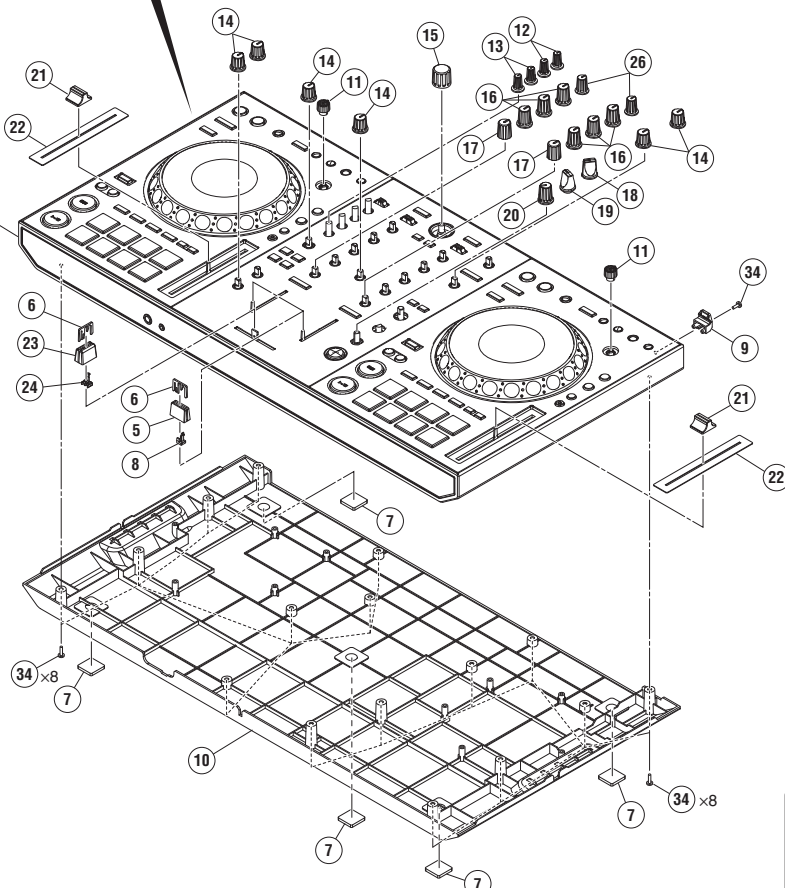
D

E

F



Refer to "9.4 CONTROL PANEL (1/2) SECTION".



BOTTOM SECTION PARTS LIST

<u>Mark No.</u>	<u>Description</u>	<u>Part No.</u>	
1	JOGH Assy	DWX4223	
2	JGLH Assy	DWX4224	A
3	FFC	DDD1888	
4	FFC	DDD1889	
5	Slider Knob 1	DAC2684	
6	Slider Knob 2	DAC2685	
7	Leg	DEC3816	
8	Stopper/SLD	DNK6009	
9	Hook	DNK6755	
⚠ 10	Chassis	DNK6814	
11	Knob/CFC	DAA1326	B
12	Knob	DAA1395	
13	Knob	DAA1396	
14	Knob	DAA1360	
15	Dial Knob	DAA1246	
16	Knob	DAA1361	
17	Knob	DAA1366	
18	Select Knob	DAA1205	
19	FX Sel Knob	DAA1213	
20	Knob	DAA1368	C
21	Knob/SLD	DNK5981	
22	Slide Sheet 1C	DAH2404	
23	Knob	DAC3238	
24	Stopper	DNK6440	
25	Cord Clamper (Steel)	RNH-184	
26	Knob	DAA1441	
27	•••••		
28	•••••		
29	•••••		
30	Screw	BBZ30P060FTC	D
31	Screw	BBZ30P080FTB	
32	Screw	BPZ30P080FNI	
33	Screw	BPZ30P100FTB	
34	Screw	BPZ30P120FTB	

9.3 CHASSIS, FADER, HP SECTION

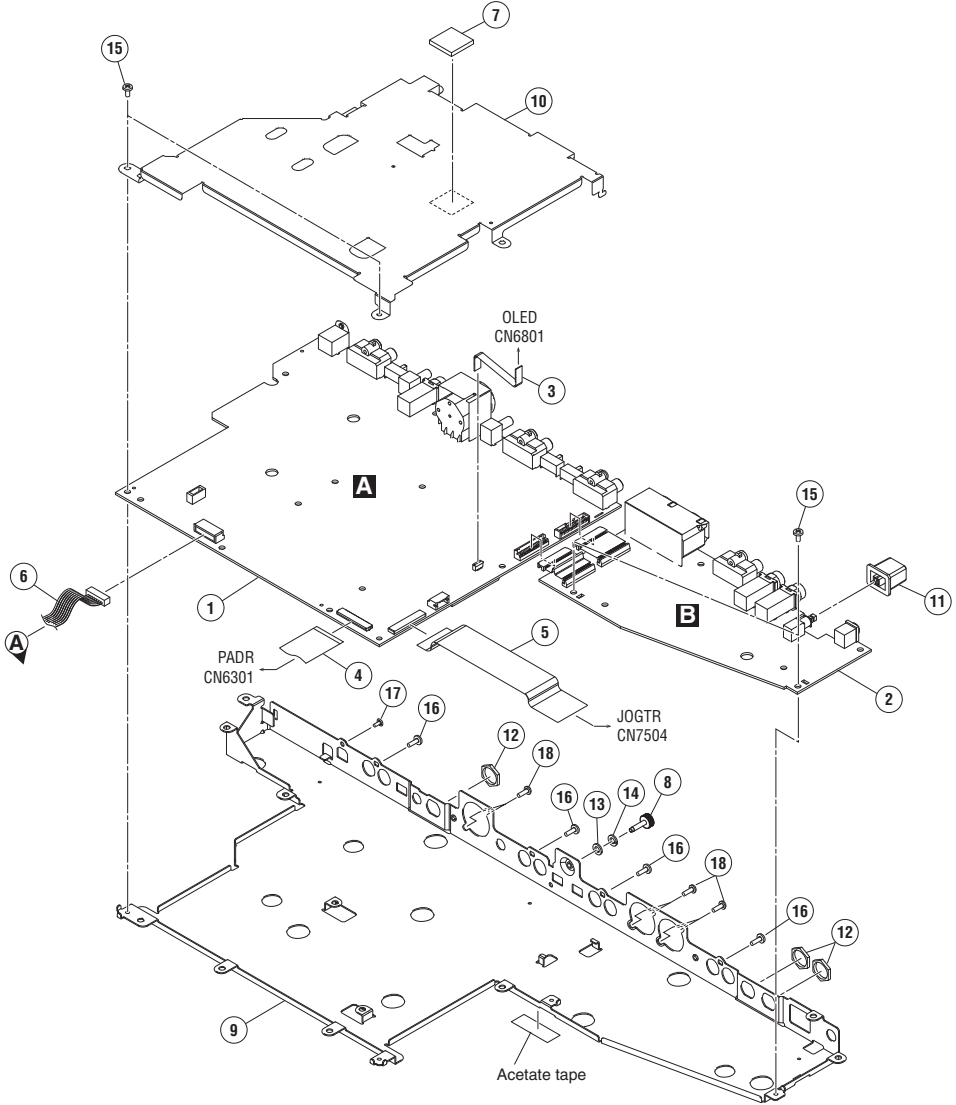
1

2

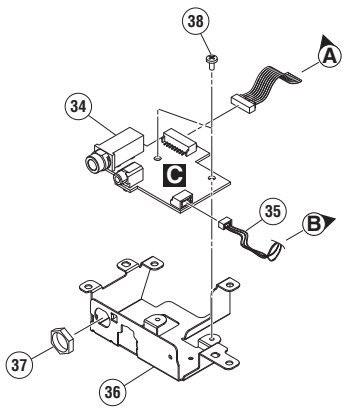
3

4

A ● Chassis Section



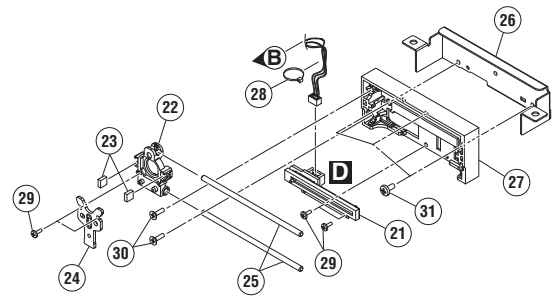
● HP Section



● Fader Section

Refer to "7. DISASSEMBLY"

 Lubricating oil (GYA1001)



1

2

3

4

CHASSIS, FADER, HP SECTION PARTS LIST

<u>Mark No.</u>	<u>Description</u>	<u>Part No.</u>
CHASSIS SECTION		
1	MAIN Assy	DWX4194
2	AOUT Assy	DWX4200
3	FFC	DDD1892
4	FFC	DDD1893
5	FFC	DDD1895
6	Connector Assy	PF07PP-C05
7	Cushion	DEC3830
8	Earth Terminal	DKE1015
9	Stay	DNH3388
10	Shield Plate	DNH3398
11	Power Knob	DAC2306
12	Nut (M12)	NKX2FNI
13	Washer	WA32F100Q050
14	Spring Lock Washer	WS40FNI
15	Screw	BBZ30P060FTC
16	Screw	BPZ30P080FTB
17	Screw (M3*5)	DBA1340
18	Screw	PPZ30P080FTB
19	
20	
FADER SECTION		
21	CRFD Assy	DWX4206
22	Slider	DNK6426
NSP 23	Cushion	DEC3356
24	Lever	DNH3211
25	Guide Bar	VLL1514
26	Stay	DNF2053
27	Holder	DNK6425
28	Cable Tie	ZCA-SKB90BK
29	Screw	BPZ20P050FTC
30	Screw	CPZ26P080FTC
31	Screw	BBZ30P060FTC
32	
33	
HP SECTION		
34	HPJK Assy	DWX4203
35	Connector Assy	PF03PP-B07
36	Stay	DNH3389
37	Nut M12	DBN1018
38	Screw	BBZ30P060FTC

A

B

C

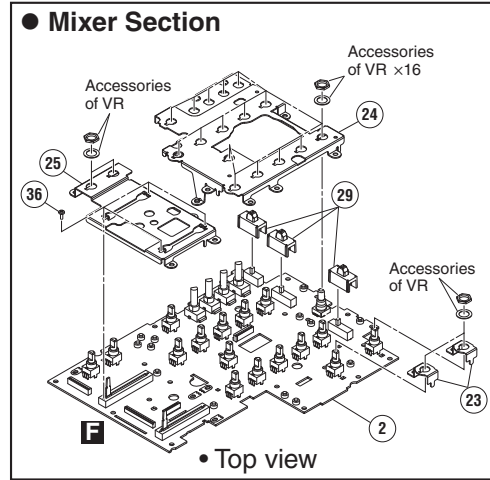
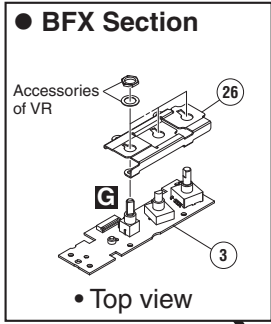
D

E

F

9.4 CONTROL PANEL (1/2) SECTION

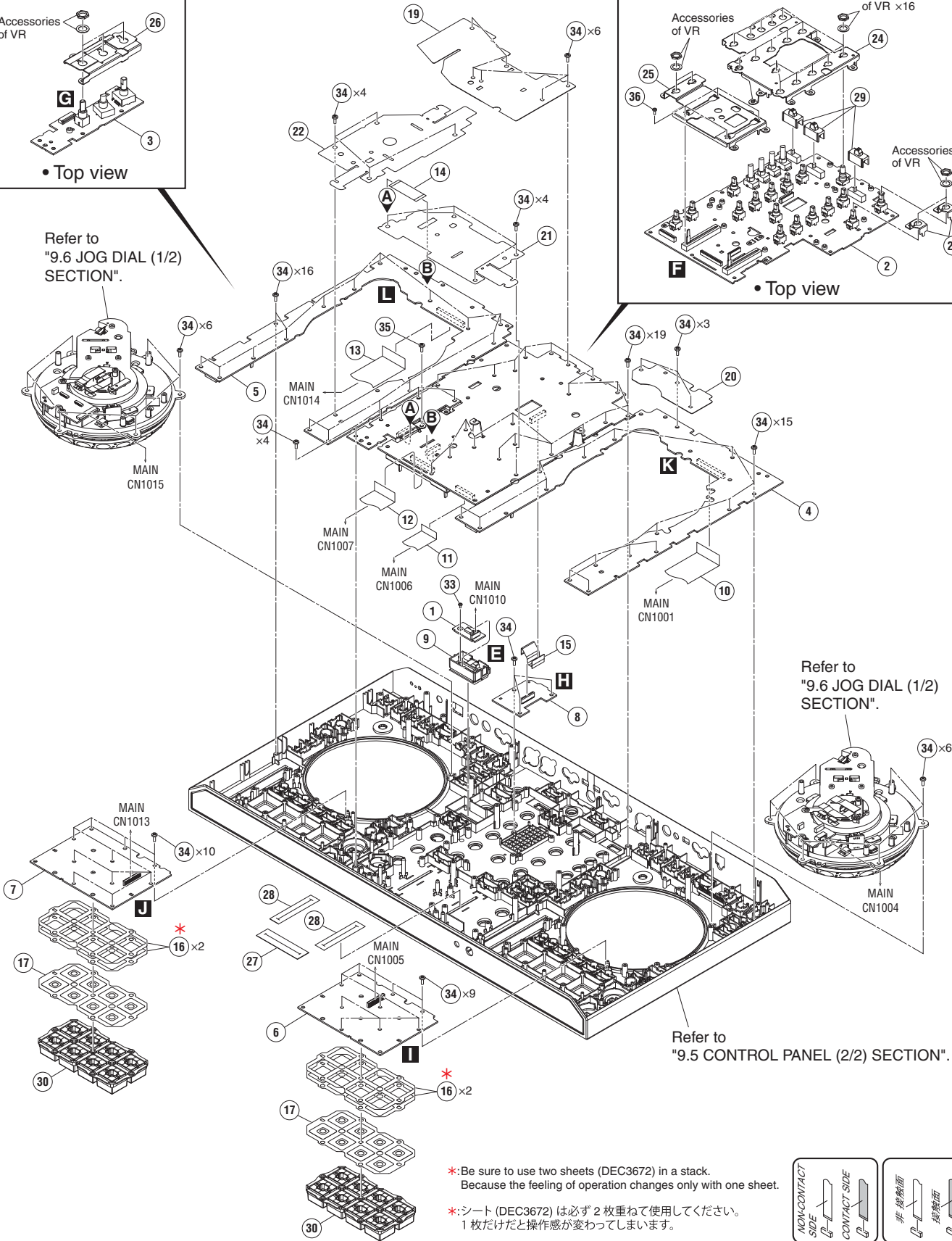
A • Bottom view



Refer to "9.6 JOG DIAL (1/2) SECTION".

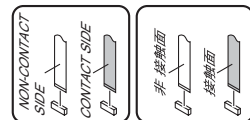
Refer to "9.6 JOG DIAL (1/2) SECTION".

Refer to "9.5 CONTROL PANEL (2/2) SECTION".



*: Be sure to use two sheets (DEC3672) in a stack. Because the feeling of operation changes only with one sheet.

*: シート (DEC3672) は必ず 2 枚重ねて使用してください。1 枚だけだと操作感が変わってしまいます。



CONTROL PANEL (1/2) SECTION PARTS LIST

<u>Mark No.</u>	<u>Description</u>	<u>Part No.</u>	
1	OLED Assy	DWX4208	
2	MXRB Assy	DWX4195	A
3	BFXB Assy	DWX4196	
4	DCKL Assy	DWX4199	
5	DCKR Assy	DWX4201	
6	PADL Assy	DWX4204	
7	PADR Assy	DWX4205	
8	LVMT Assy	DWX4207	
9	OLED Assy (Service)	DEA1084	
10	FFC	DDD1885	
11	FFC	DDD1890	B
12	FFC	DDD1891	
13	FFC	DDD1894	
14	FFC	DDD1896	
15	FFC	DDD1897	
16	Sheet	DEC3672	
17	Sheet	DEC3673	
18		
19	Shield Sheet	DEC3812	
20	Shield Sheet	DEC3819	C
21	Sheet	DEC3817	
22	Sheet	DEC3818	
23	Stay	DNF2039	
24	Stay	DNH3385	
25	Stay	DNH3386	
26	Stay	DNH3387	
27	Packing	DEC3642	
28	Sheet	DEC3795	
29	SW Cap	DAC2753	D
30	Button	DEB2035	
31		
32		
33	Screw	BPZ20P040FTB	
34	Screw	BPZ30P080FNI	
35	Screw	BPZ30P100FTB	
36	Screw	PMH20P040FTC	E

9.5 CONTROL PANEL (2/2) SECTION

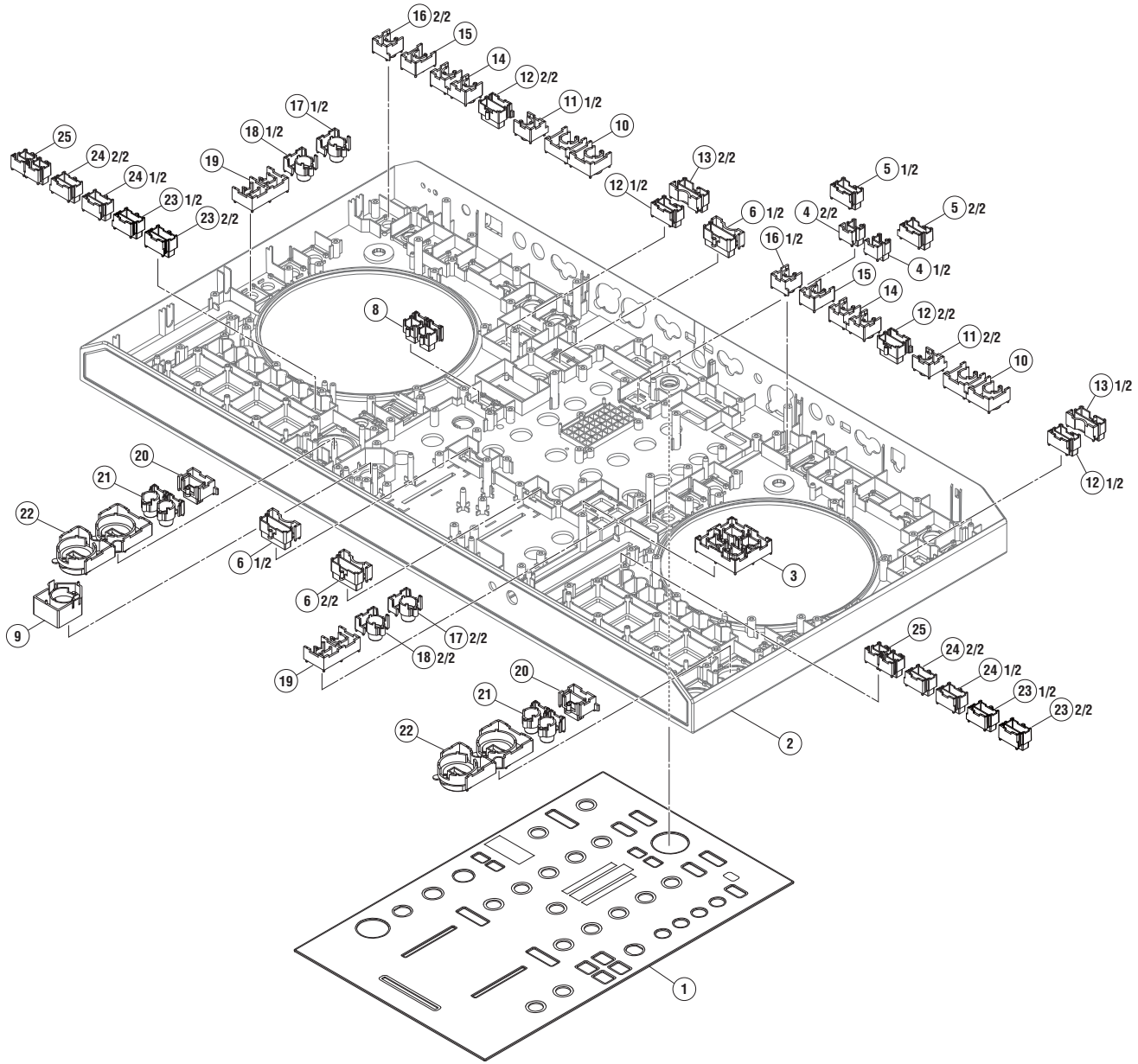
1

2

3

4

A • Bottom view



D

E

F

1

2

3

4

9.6 JOG DIAL (1/2) SECTION

• Bottom view

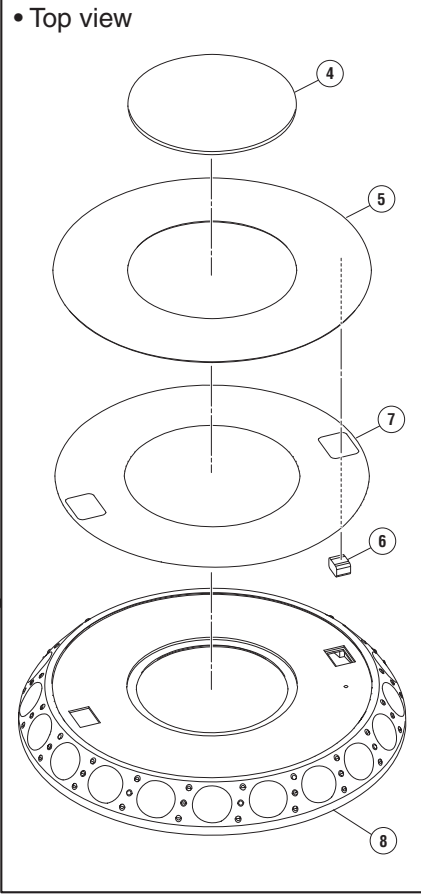
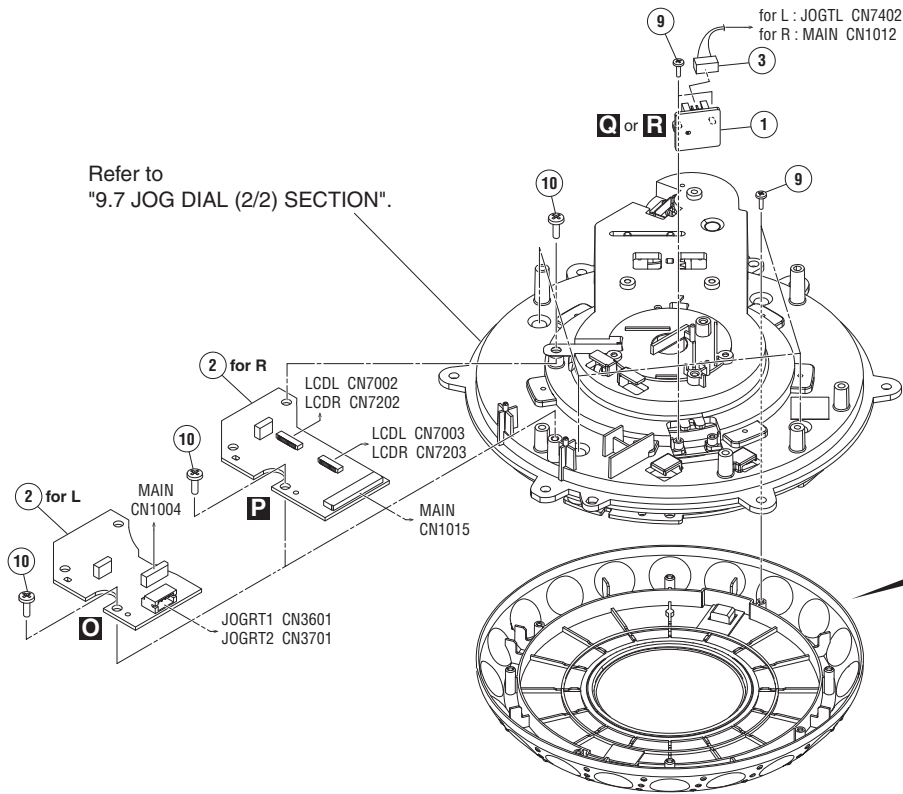
A

B

C

D

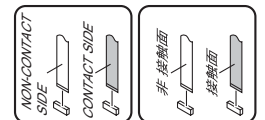
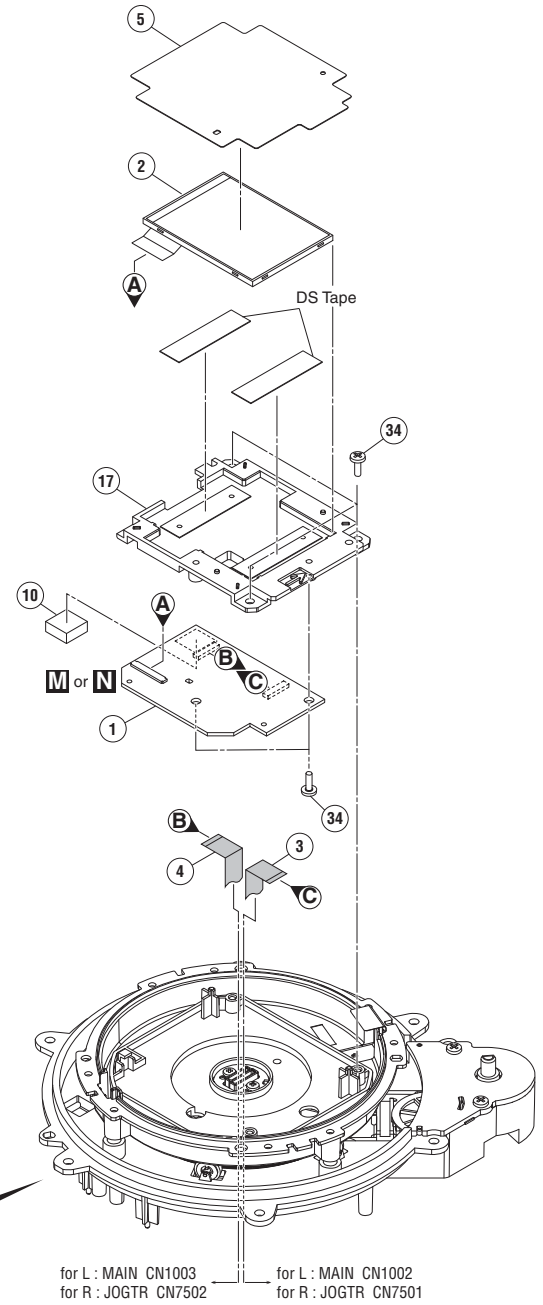
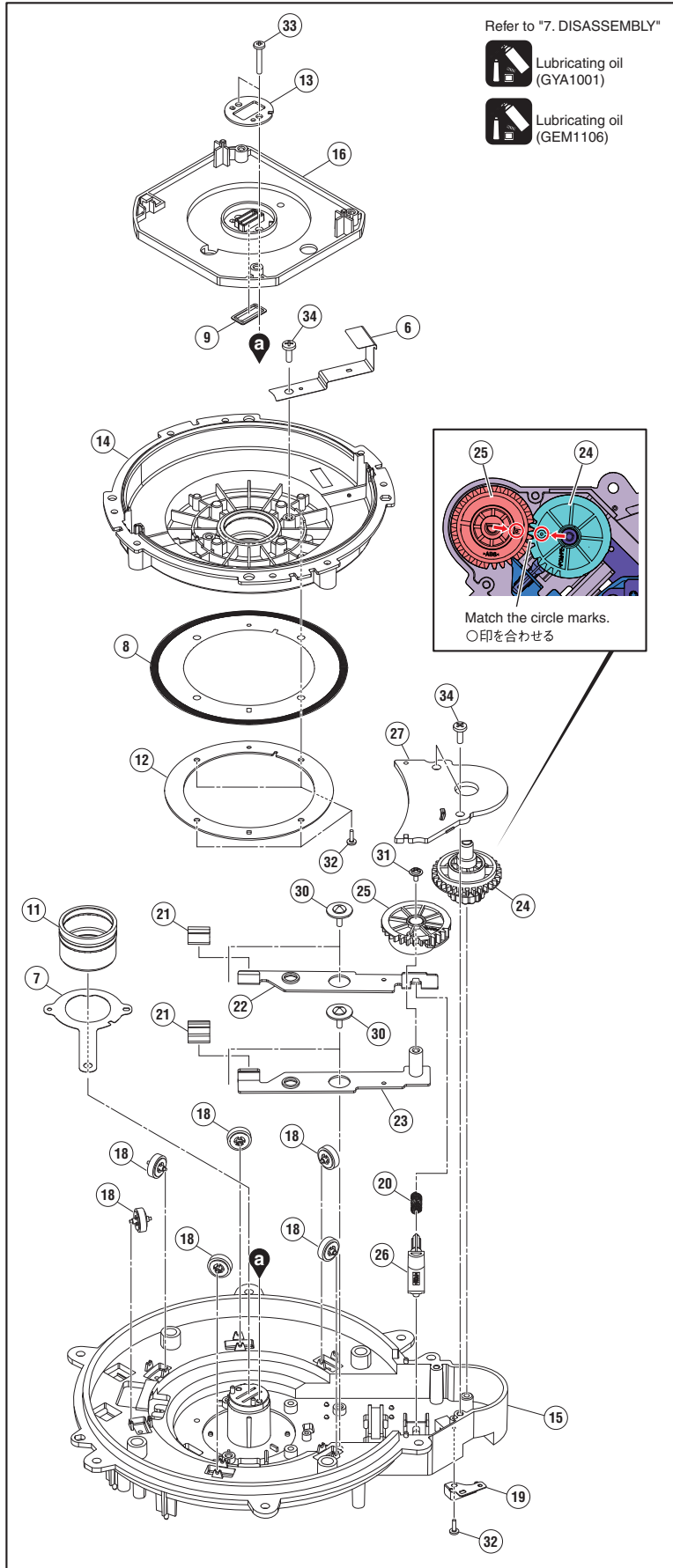
F



JOG DIAL (1/2) SECTION PARTS LIST

Mark No.	Description	Part No.
1	JOGRT1 Assy	DWX4197
1	JOGRT2 Assy	DWX4198
2	JOGTL Assy (for L)	DWX4211
2	JOGTR Assy (for R)	DWX4212
3	Connector Assy (for R)	PF04PP-B17
3	Connector Assy (for L)	PF04PP-B15
4	Window	DAH3233
5	Plate	DAH3234
6	Gasket/JOG	DEC3562
7	DS Tape	DEH1096
8	JOG Dial	DNK6822
9	Screw	BPZ20P060FTC
10	Screw	BPZ30P080FTC

9.7 JOG DIAL (2/2) SECTION



JOG DIAL (2/2) SECTION PARTS LIST

	<u>Mark No.</u>	<u>Description</u>	<u>Part No.</u>
A	1	LCDL Assy	DWX4209
	1	LCDR Assy	DWX4210
	2	TFT LCD	DWX4226
	3	FFC (for L)	DDD1911
	3	FFC (for R)	DDD1886
	4	FFC (for L)	DDD1912
	4	FFC (for R)	DDD1887
	5	Sheet (for L)	DEC3815
	5	Sheet (for R)	DEC3832
	B	6	Leaf Spring
7		Leaf Spring	DBK1392
8		Slit/JOG	DEC3515
9		Packing	DEC3820
10		Cushion	DEC3831
11		Shaft	DLA2266
12		Bracket/SLT	DNH3168
13		Cover	DNH3391
14		JOG Dial	DNK6820
⚠		15	Base
C	16	Holder	DNK6829
	17	Holder	DNK6830
	18	Roller	DXB2178
	19	Leaf Spring	DBK1393
	20	Coil Spring	DBH1823
	21	Felt	DED1188
	22	Lever	DNH3392
	23	Lever	DNH3393
	24	Gear	DNK6823
	25	Cam	DNK6824
D	26	Pin	DNK6825
	27	Cover	DNK6826
	28	•••••	
	29	•••••	
	30	DM Screw (FTC)	DBA1260
	E	31	Screw
32		Screw	BPZ20P060FTC
33		Screw	BPZ26P160FTC
34		Screw	BPZ30P080FTC
F			