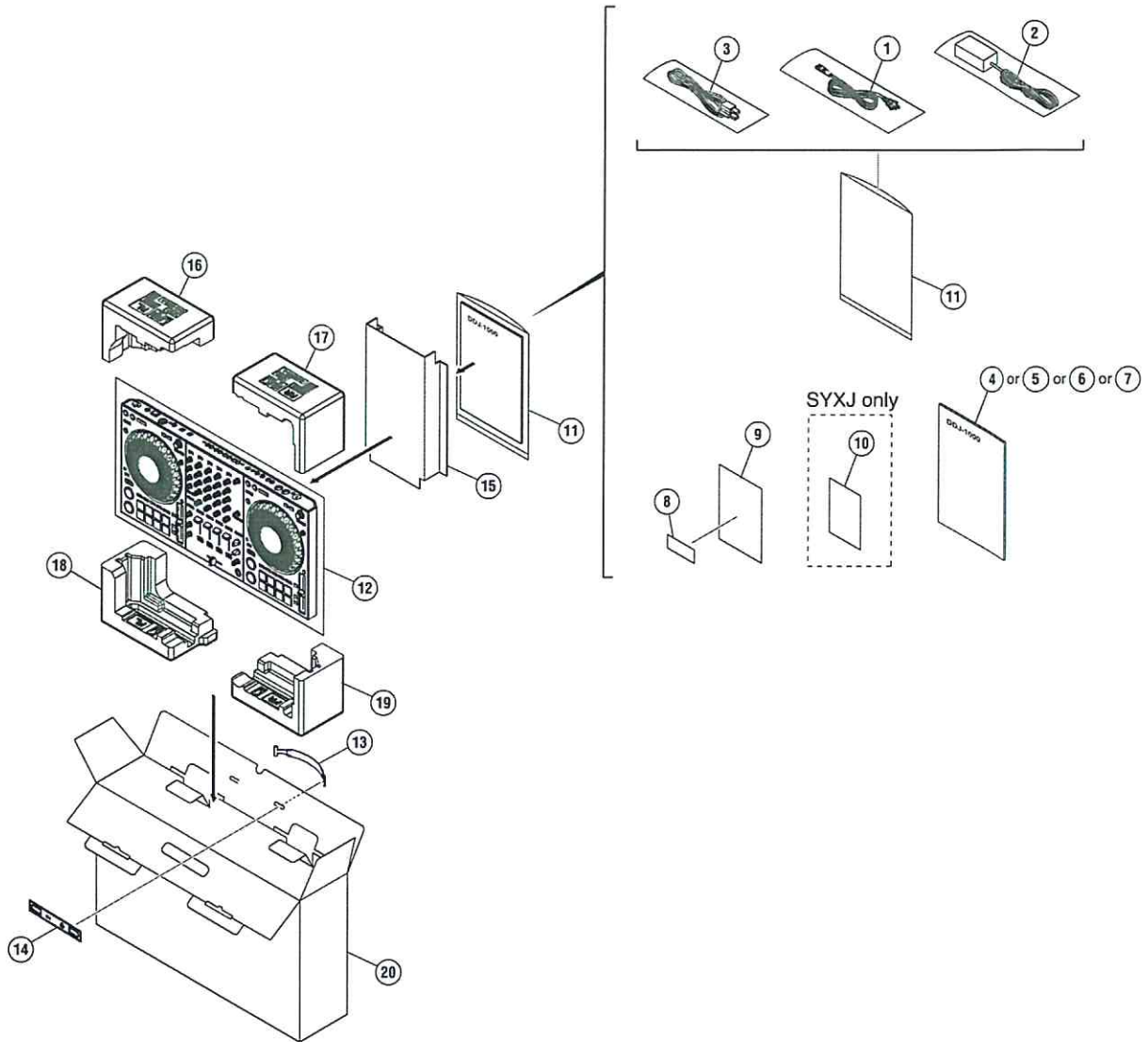


# 9. EXPLODED VIEWS AND PARTS LIST

- NOTES:
- Parts marked by "NSP" are generally unavailable because they are not in our Master Spare Parts List.
  - The  $\triangle$  mark found on some component parts indicates the importance of the safety factor of the part. Therefore, when replacing, be sure to use parts of identical designation.
  - Screws adjacent to  $\nabla$  mark on product are used for disassembly.
  - For the applying amount of lubricants or glue, follow the instructions in this manual. (In the case of no amount instructions, apply as you think it appropriate.)

## 9.1 PACKING SECTION



**(1) PACKING SECTION PARTS LIST**

<u>Mark No.</u>	<u>Description</u>	<u>Part No.</u>	<u>Mark No.</u>	<u>Description</u>	<u>Part No.</u>
⚠	1 Power Cord	See Contrast table (2)	NSP 8	rekordbox dj license key label	DXA2304
⚠	2 AC Adapter	DWR1574	NSP 9	Leaflet	DRM1410
	3 USB Cable	DDE1128	NSP 10	Warranty	See Contrast table (2)
	4 Operating Instructions (Quick Start Guide)	See Contrast table (2)	NSP 11	Polyethylene Bag	AHG7117
			12	Mirror Mat (1200*1000)	DHL1169
	5 Operating Instructions (Quick Start Guide)	See Contrast table (2)	13	Handle	DEC3783
	6 Operating Instructions (Quick Start Guide)	See Contrast table (2)	14	Spacer	DEC3784
	7 Operating Instructions (Quick Start Guide)	See Contrast table (2)	15	Partition	DHC1101
			16	Packing Pad	DHA1972
			17	Packing Pad	DHA1973
			18	Packing Pad	DHA1974
			19	Packing Pad	DHA1975
			20	Packing Case	See Contrast table (2)

**(2) CONTRAST TABLE**

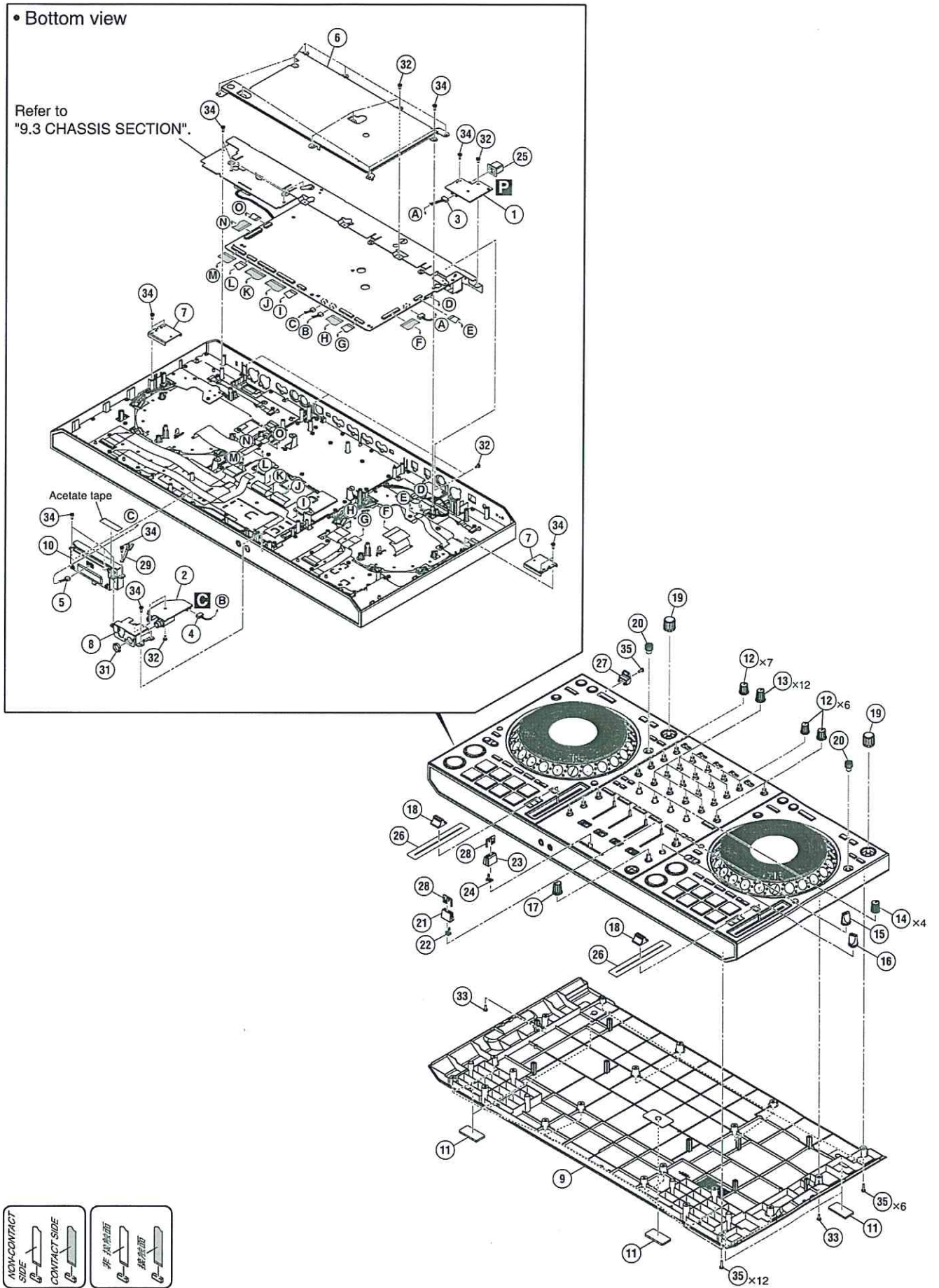
DDJ-1000/FWLPWXJ, SYXJ, UXJCB and XJCN are constructed the same except for the following:

Mark	No.	Symbol and Description	DDJ-1000 /FWLPWXJ	DDJ-1000 /SYXJ	DDJ-1000 /UXJCB	DDJ-1000 /XJCN
⚠	1	Power Cord	ADG1154	ADG1154	XDG3052	ADG7079
	4	Operating Instructions (Quick Start Guide)(En, Es)	DRH1471	Not used	Not used	Not used
	5	Operating Instructions (Quick Start Guide) (En, Fr, De, It, NI, Es, Pt, Ru)	Not used	DRH1469	Not used	Not used
	6	Operating Instructions (Quick Start Guide)(En, Fr)	Not used	Not used	DRH1468	Not used
	7	Operating Instructions (Quick Start Guide)(Zhcn)	Not used	Not used	Not used	DRH1470
NSP	10	Warranty	Not used	DRY1270	Not used	Not used
	20	Packing Case	DHG3619	DHG3584	DHG3618	DHG3621

# 9.2 BOTTOM SECTION

• Bottom view

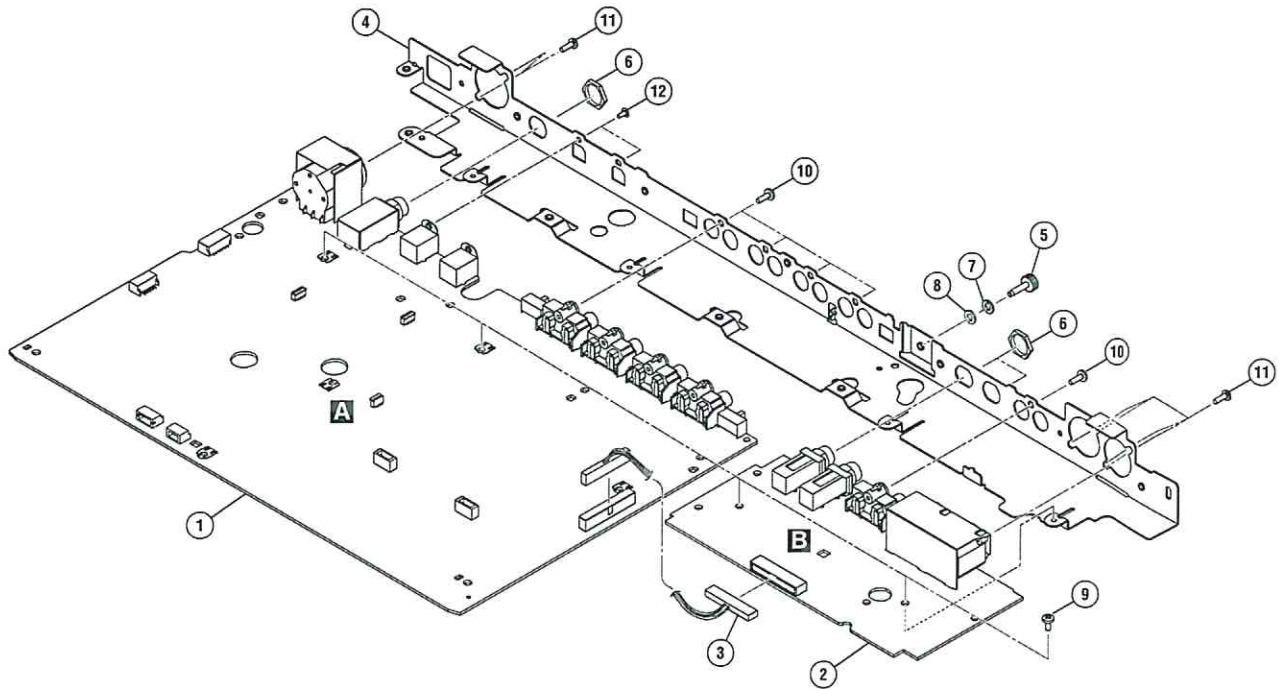
Refer to "9.3 CHASSIS SECTION".



**(1) BOTTOM SECTION PARTS LIST**

<u>Mark No.</u>	<u>Description</u>	<u>Part No.</u>
1	PSWB Assy	DWX4114
2	HPJK Assy	DWX4116
3	Connector Assy (05P)	PF05PP-D12
4	Connector Assy	PF04PP-D10
5	Connector Assy	PF03PP-B22
6	Shield Plate	DNH3342
7	Stay	DNH3351
8	Stay	DNH3348
9	Chassis	DNK6747
10	Cross Fader Service Assy	DEA1088
11	Sheet/LEG	DEC3534
12	Knob	DAA1360
13	Knob	DAA1361
14	Knob	DAA1386
15	Select Knob	DAA1205
16	FX SEL Knob	DAA1213
17	Knob	DAA1368
18	Knob/SLD	DNK5981
19	Dial Knob	DAA1246
20	Adjust Knob Black	DAC2528
21	Slider Knob 1	DAC2684
22	Stopper/SLD	DNK6009
23	Knob	DAC3238
24	Stopper	DNK6440
25	Power Knob	DAC2306
26	Slide Sheet 1C	DAH2404
27	Cord Hook	DNK6755
28	Slider Knob 2	DAC2685
29	Cord Clamper (Steel)	RNH-184
30	•••••	
31	Nut M12	DBN1018
32	Screw	BBZ30P060FTB
33	Screw	BBZ30P080FTB
34	Screw	BPZ30P080FNI
35	Screw	BPZ30P120FTB

## 9.3 CHASSIS SECTION



### CHASSIS and CROSSFADER SECTION PARTS LIST

<u>Mark No.</u>	<u>Description</u>	<u>Part No.</u>
1	MAIN Assy	DWX4104
2	MOUT Assy	DWX4115
3	Crimp Connector	PF16PP-D15
4	Stay	DNH3341
5	Earth Terminal	DKE1015
6	Nut	NKX2FTC
7	Spring Lock Washer	WS40FNI
8	Washer	WA32F100Q050
9	Screw	BBZ30P060FTB
10	Screw	BPZ30P080FTB
11	Screw	PPZ30P080FTB
12	Screw (M3*5)	DBA1340



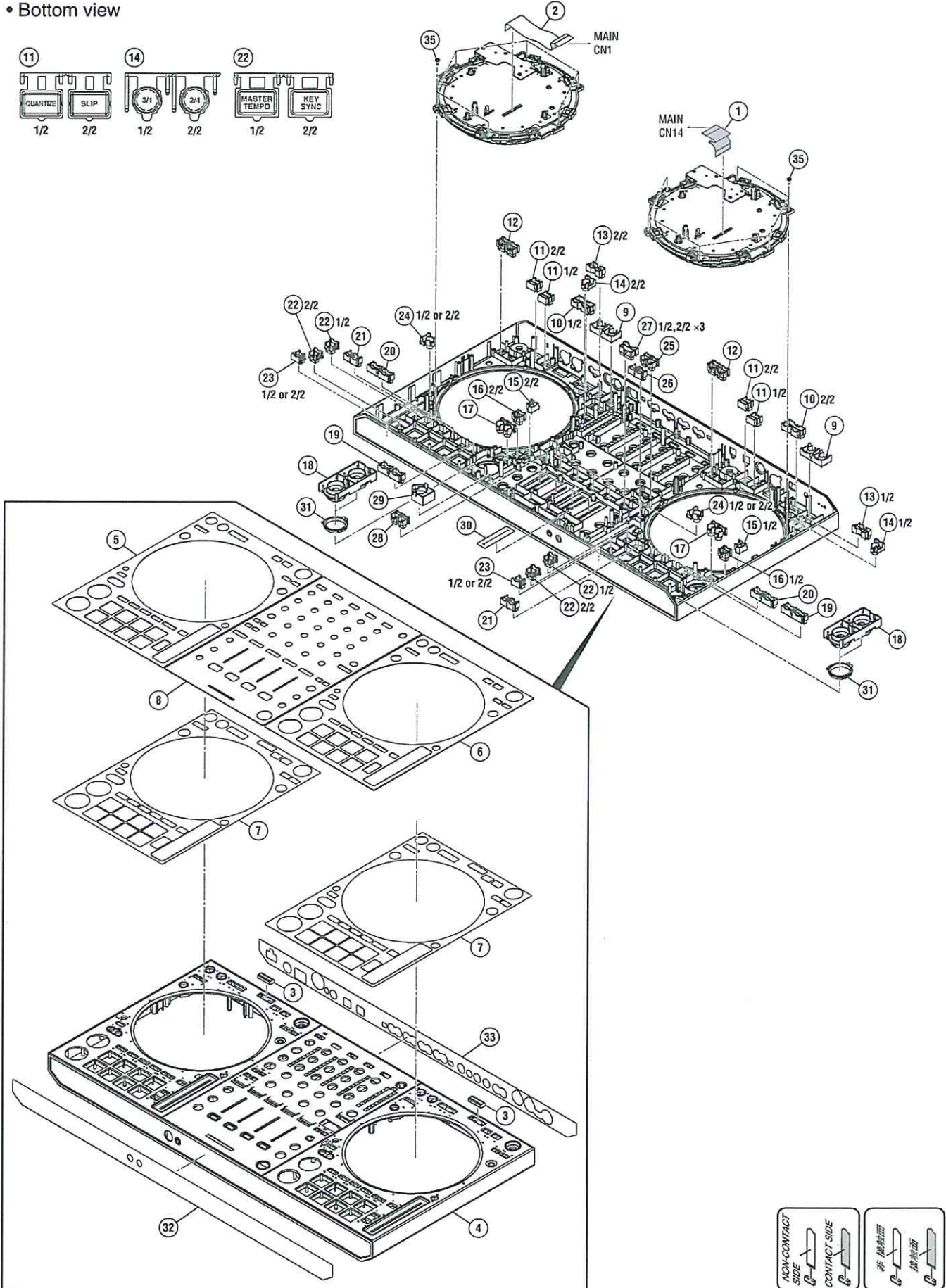
CONTROL PANEL SECTION (1/2) SECTION PARTS LIST

<u>Mark No.</u>	<u>Description</u>	<u>Part No.</u>
1	OLED Assy	DWX4106
2	LOOP Assy	DWX4108
3	BRWS Assy	DWX4109
4	PADB Assy	DWX4110
5	PLAY Assy	DWX4111
6	MIXER Assy	DWX4112
7	BFXB Assy	DWX4117
8	OLED Assy (Service)	DEA1084
9	FFC	DDD1831
10	FFC	DDD1832
11	FFC	DDD1833
12	FFC	DDD1834
13	FFC	DDD1835
14	FFC	DDD1836
15	FFC	DDD1839
16	FFC	DDD1840
17	FFC	DDD1841
18	FFC	DDD1842
19	FFC	DDD1844
20	FFC	DDD1845
21	Shielded Conn-Cable	DDA1082
22	I-Shield Sheet	DEC3765
23	Sheet	DEC3770
24	Sheet	DEC3771
25	Sheet	DEC3772
26	Sheet	DEC3773
27	Sheet	DEC3774
28	Spacer	DEC3775
29	Stay	DNH3343
30	Stay	DNH3346
31	Stay	DNH3347
32	Stay	DNF2039
33	Sheet	DEC3780
34	Cord Clamper (Steel)	RNH-184
35	SW Cap	DAC2753
36	Slide SW Cap (W)	DAC2401
37	Button	DEB2059
38	•••••	
39	Screw	PMH20P040FTC
40	Screw	BPZ20P040FTB
41	Screw	BPZ30P080FNI



# 9.5 CONTROL PANEL SECTION (2/2)

• Bottom view



**(1) CONTROL PANEL SECTION (2/2) SECTION PARTS LIST**

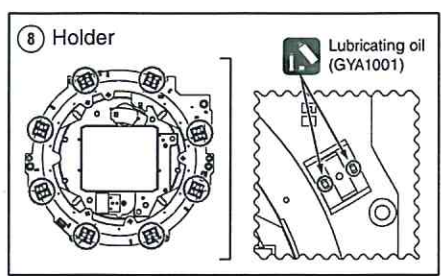
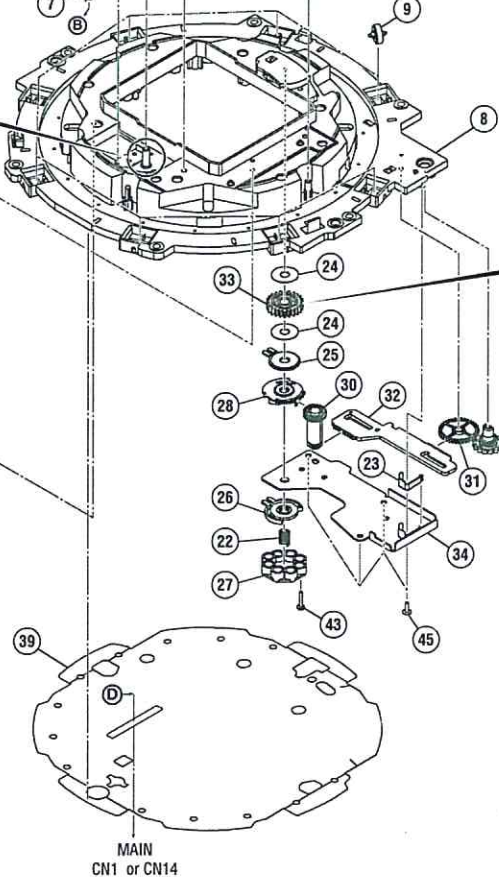
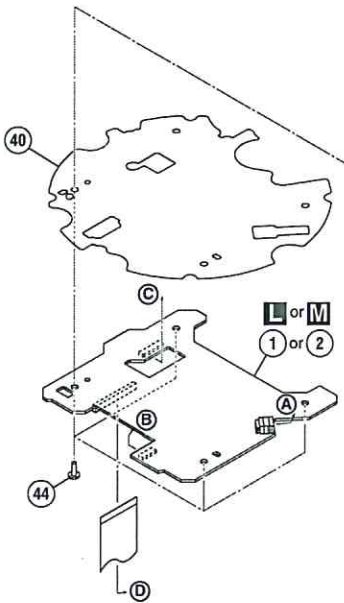
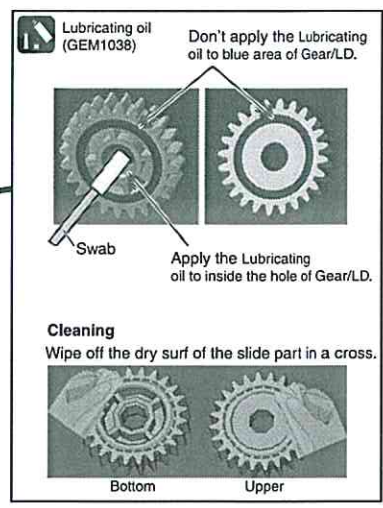
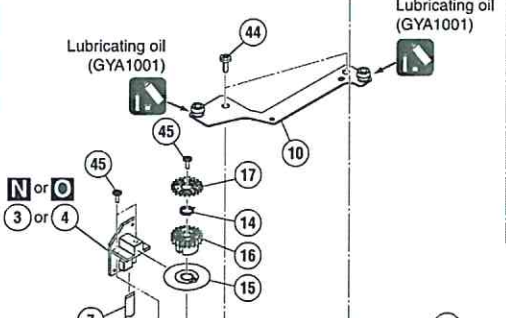
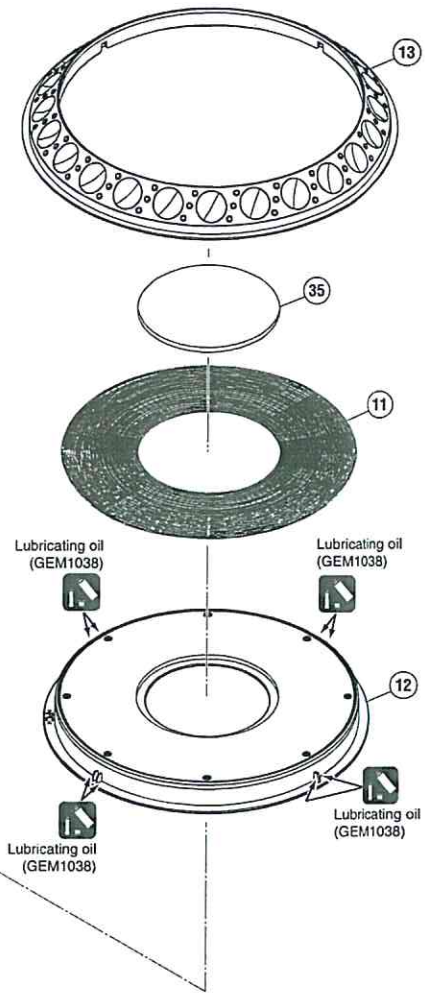
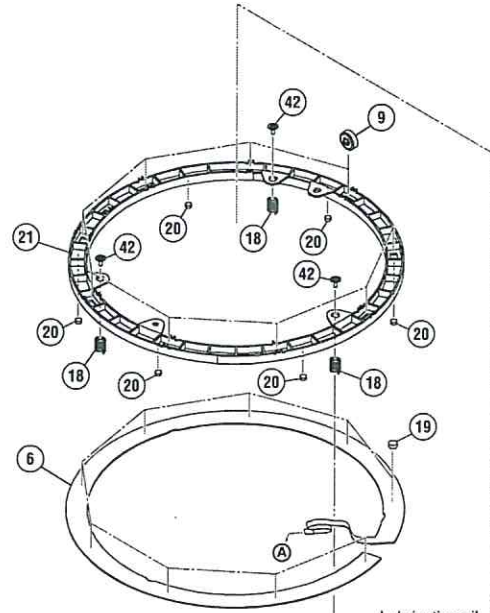
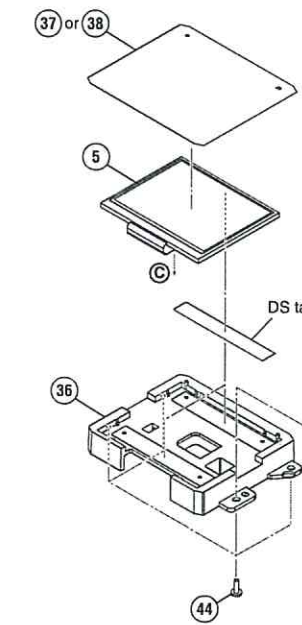
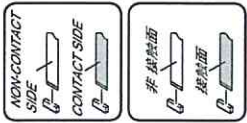
<u>Mark No.</u>	<u>Description</u>	<u>Part No.</u>	<u>Mark No.</u>	<u>Description</u>	<u>Part No.</u>
1	FFC	DDD1837	21	Button	DAC3366
2	FFC	DDD1838	22	Button	DAC3367
3	EMC Gasket	DEC3766	23	Button	DAC3368
⚠ 4	Control Panel	DNK6746	24	Button	DAC3369
5	Plate	DAH3190	25	Button	DAC3370
6	Plate	DAH3191	26	Button	DAC3371
7	DS Tape	DEH1095	27	Button	DAC3219
8	Plate	DAH3186	28	Button	DAC3372
9	Button/LOP	DAC3074	29	Button	DAC3141
10	Button	DAC3356	30	Fader Packing	DEC3355
11	Button	DAC3357	31	Ring Lens (PLAY)	DNK5315
12	Button	DAC3358	32	Sheet	DEC3763
13	Button	DAC3359	33	Sheet	See Contrast table (2)
14	Button	DAC3360	34	•••••	
15	Button	DAC3361	35	Screw	BPZ30P080FNI
16	Button	DAC3362			
17	Button	DAC3363			
18	Button	DXB2189			
19	Button	DAC3364			
20	Button	DAC3365			

**(2) CONTRAST TABLE**

DDJ-1000/FWLPWXJ, SYXJ, UXJCB and XJCN are constructed the same except for the following:

Mark	No.	Symbol and Description	DDJ-1000 /FWLPWXJ	DDJ-1000 /SYXJ	DDJ-1000 /UXJCB	DDJ-1000 /XJCN
	33	Sheet	DEC3800	DEC3800	DEC3800	DEC3801

# 9.6 JOG DIAL SECTION



**JOG DIAL SECTION PARTS LIST**

<u>Mark No.</u>	<u>Description</u>	<u>Part No.</u>
1	LCDL Assy	DWX4105
2	LCDR Assy	DWX4118
3	JOGL Assy	DWX4113
4	JOGR Assy	DWX4119
5	TFT LCD	DWX4141
6	Sheet SW	DSX1078
7	FFC	DDD1843
8	Holder	DNK6745
9	Roller	DXB2178
10	Stay Assy/JOG	DXB2133
11	JOG Plate	DAH2679
12	JOG Dial A Assy	DXA2159
13	JOG B	DNK4068
14	Encoder Spring	DBH1710
15	Plate	DEC3700
16	Gear/A	DNK6143
17	Gear/B	DNK6144
18	SW Spring	DBH1681
19	SW Cushion HH48/2	DEC2538
20	Cushion/RNG	DEC3466
21	SW Ring	DNK5233
22	Coil Spring/LD	DBH1798
23	Leaf Spring/ADJ	DBK1376
24	Washer	DEC3137
25	Smoothen	DNK5237
26	Comp Plate	DNK5243
27	Adjust Plate	DNK5300
28	Cam Plate	DNK5301
29	Dial Gear	DNK5302
30	Link Gear A	DNK5303
31	Link Gear B	DNK5304
32	Plate	DNK6748
33	Gear/LD	DNK6145
34	Plate	DNH3345
35	Window	DAH3189
36	Holder	DNK6749
37	Sheet	DEC3768
38	Sheet	DEC3779
39	Barrier	DEC3798
40	Barrier	DEC3799
41	•••••	
42	Screw (FE)	DBA1265
43	Screw	BPZ20P100FTC
44	Screw	BPZ30P080FNI
45	Screw	IPZ20P060FTC