

# 9. EXPLODED VIEWS AND PARTS LIST

NOTES: ● Parts marked by "NSP" are generally unavailable because they are not in our Master Spare Parts List.

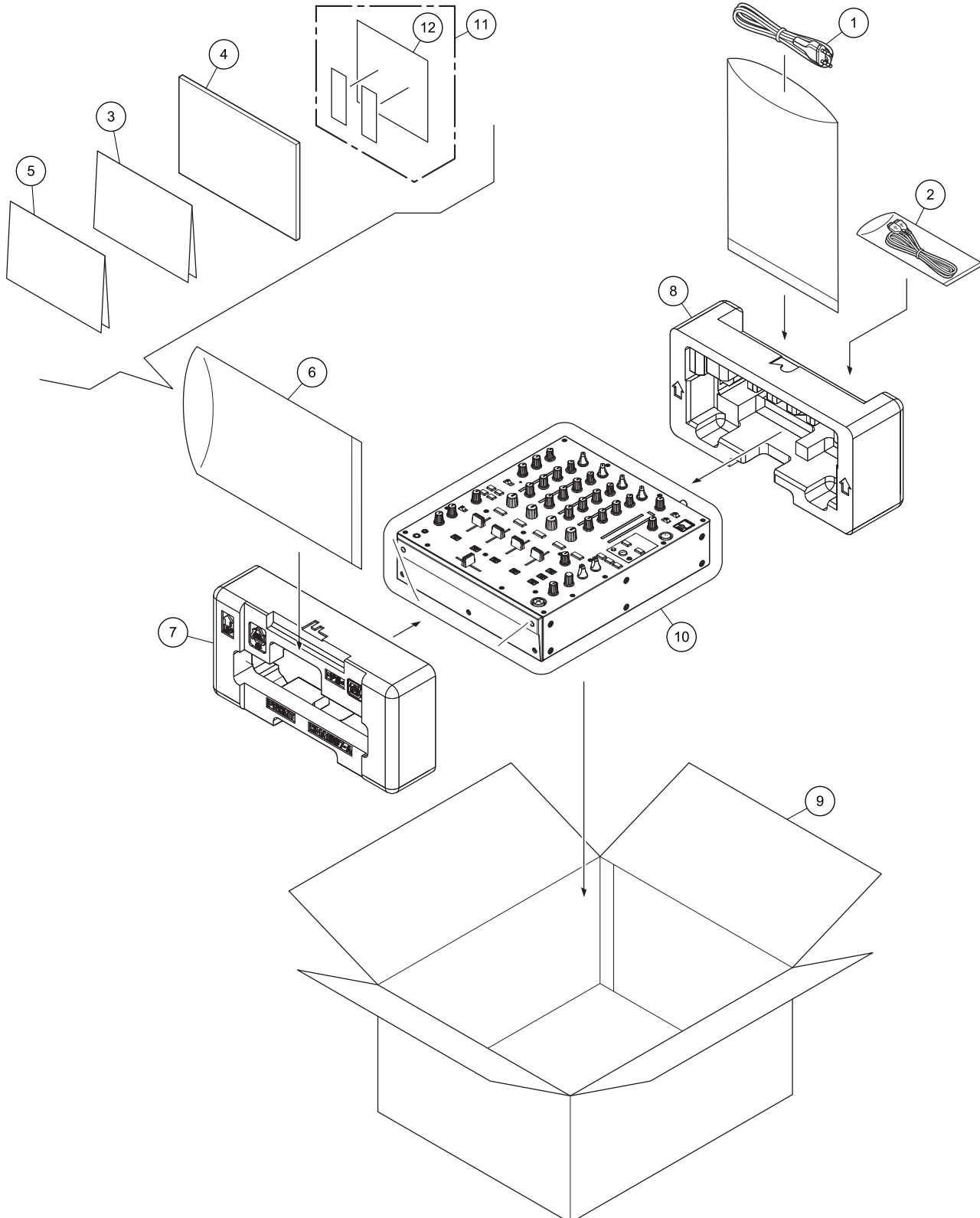
● The  $\triangle$  mark found on some component parts indicates the importance of the safety factor of the part. Therefore, when replacing, be sure to use parts of identical designation.

● Screws adjacent to  $\nabla$  mark on product are used for disassembly.

● For the applying amount of lubricants or glue, follow the instructions in this manual.

(In the case of no amount instructions, apply as you think it appropriate.)

## 9.1 PACKING SECTION



**(1) PACKING SECTION PARTS LIST**

<b>Mark No.</b>	<b>Description</b>	<b>Part No.</b>
⚠ NSP	1 Power Cord	See Contrast table (2)
	2 USB Cable	DDE1128
NSP	3 Leaflet	See Contrast table (2)
	4 Operating Instructions (Quick Start Guide)	See Contrast table (2)
NSP	5 Warranty	See Contrast table (2)
NSP	6 Polyethylene Bag	AHG7117
	7 Packing Pad	DHA1967
	8 Packing Pad	DHA1968
	9 Packing Case	See Contrast table (2)
NSP	10 Sheet	RHX1006
NSP	11 License Key Card (rekordbox dj, rekordbox dvs)	DEA1064
	NSP	12 Leaflet

**(2) CONTRAST TABLE**

LSYXJ, UXJCB and XJCN are constructed the same except for the following:

<b>Mark</b>	<b>No.</b>	<b>Symbol and Description</b>	<b>LSYXJ</b>	<b>UXJCB</b>	<b>XJCN</b>
⚠ NSP	1	Power Cord	ADG1244	DDG1108	DDG1114
	3	Leaflet	DRH1431	DRH1431	DRH1432
NSP	4	Operating Instructions (Quick Start Guide)	DRH1433	DRH1434	DRH1436
	5	Warranty	DRY1270	Not used	Not used
	9	Packing Case	DHG3572	DHG3573	DHG3575

# 9.2 EXTERIOR SECTION

1

2

3

4

A

B

C

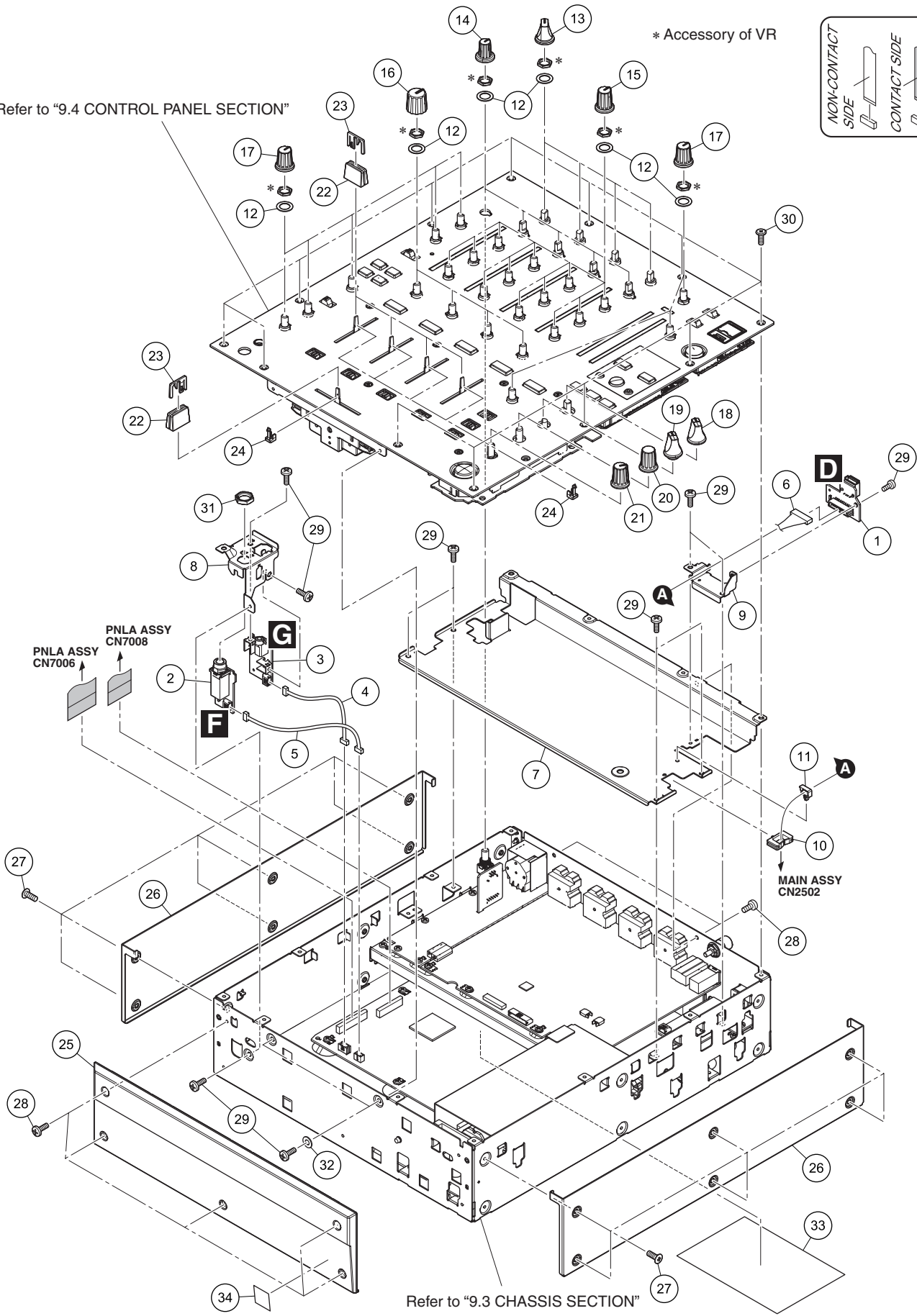
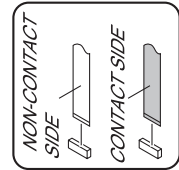
D

E

F

Refer to "9.4 CONTROL PANEL SECTION"

\* Accessory of VR



1

2

3

4

## EXTERIOR SECTION PARTS LIST

<u>Mark No.</u>	<u>Description</u>	<u>Part No.</u>
1	USBA ASSY	DWX3998
2	HPJK ASSY	DWX4001
3	HPJM ASSY	DWX4002
4	Crimp Connector	PF03PP6B10
5	Connector ASSY	PF03PP-B12
6	Shielded CONN-CABLE	DDA1079
7	Shield Plate	DNF2023
8	Stay	DNF2027
9	Stay	DNF2028
10	Edge Saddle (Pls)	AEC7582
11	Locking Mini Clamp	DEC2439
12	Washer	DEC3731
13	Rotary SW Knob	DAA1185
14	Knob	DAA1381
15	Knob	DAA1383
16	Knob	DAA1373
17	Knob	DAA1382
18	Select Knob	DAA1205
19	Fx Select Knob	DAA1213
20	Knob (Time)	DAA1214
21	Knob	DAA1368
22	Slider Knob 1	DAC2684
23	Slider Knob 2	DAC2685
24	Slider Knob Stopper	DNK5888
25	Panel	DNK6689
26	Panel	DNF2020
27	Screw (Fe)	DBA1290
28	Screw	BBZ30P060FTB
29	Screw	BBZ30P060FTC
30	Screw	DBA1451
31	Nut M12	DBN1018
32	Washer	WB30FTC
NSP 33	Name Label	See contrast table (2)
NSP 34	Label	See contrast table (2)

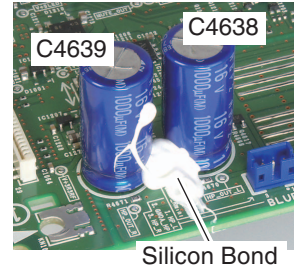
## (2) CONTRAST TABLE

LSYXJ, UXJCB and XJCN are constructed the same except for the following:

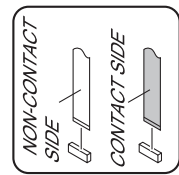
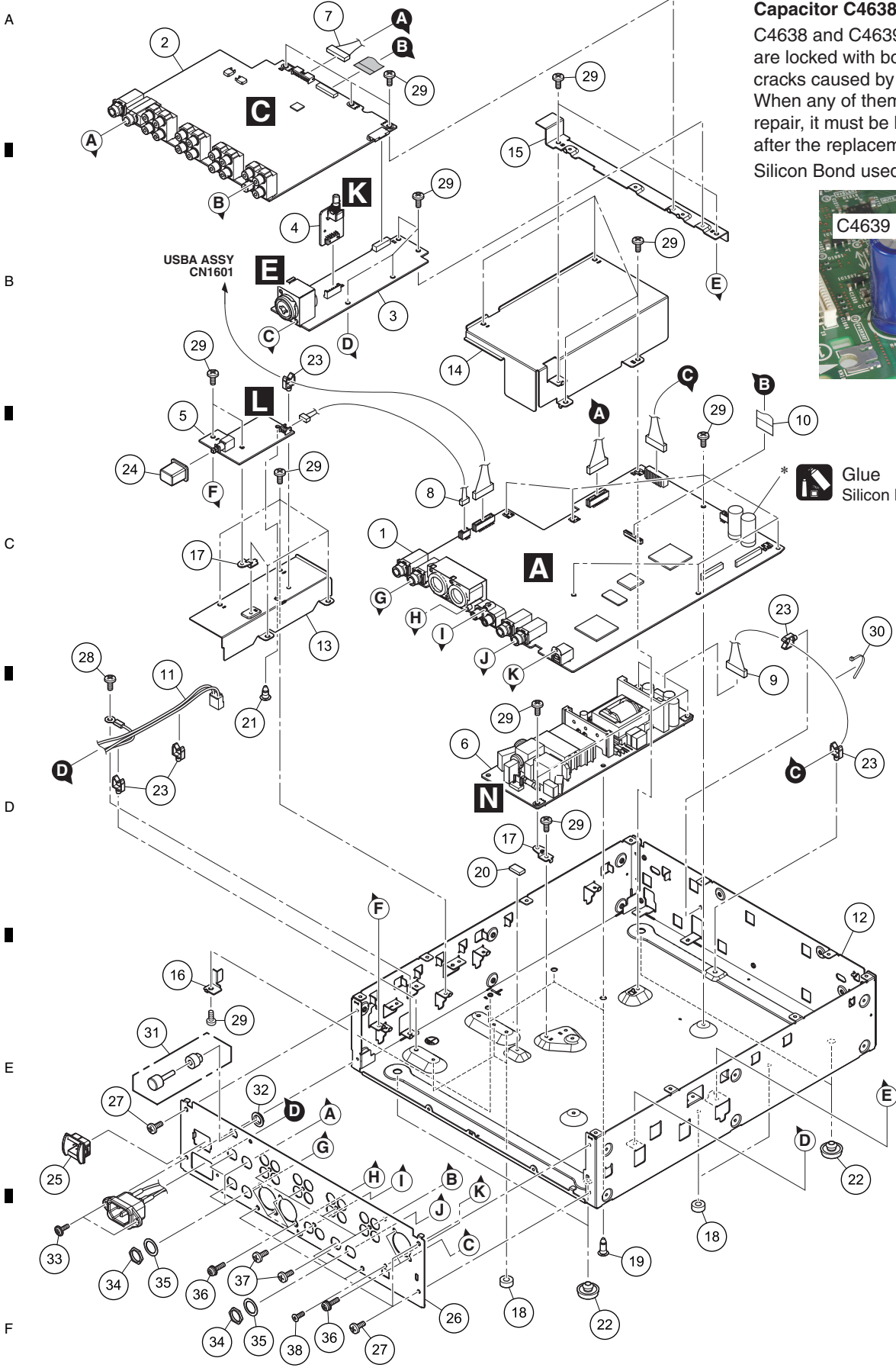
Mark	No.	Symbol and Description	LSYXJ	UXJCB	XJCN
NSP	33	Name Label	DAL1349	DAL1349	DAL1351
NSP	34	Label	Not used	DRW1975	Not used

# 9.3 CHASSIS SECTION

**\* Notes on the replacement of Capacitor C4638 and C4639:**  
 C4638 and C4639 in the MAIN ASSY are locked with bond to prevent solder cracks caused by fall or vibration. When any of them is replaced for repair, it must be locked with bond after the replacement.  
 Silicon Bond used: GYA1011



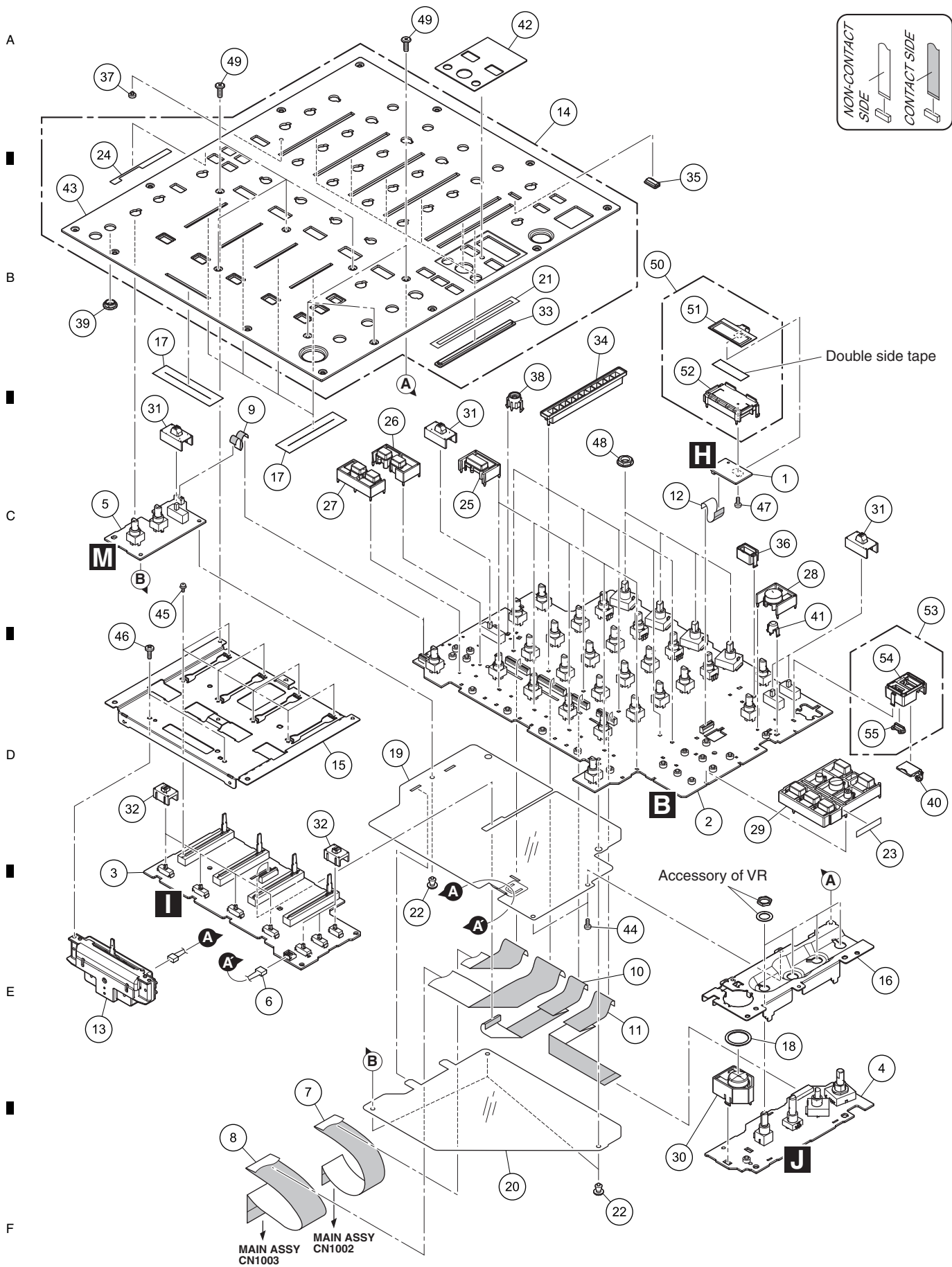
**\* Glue**  
 Silicon Bond : GYA1011



## CHASSIS SECTION PARTS LIST

<u>Mark No.</u>	<u>Description</u>	<u>Part No.</u>	<u>Mark No.</u>	<u>Description</u>	<u>Part No.</u>
1	MAIN ASSY	DWX3997	NSP 21	PCB Holder	PNW1706
2	AINB ASSY	DWX3999	22	Foot (Rubber)	REC-434
3	MICB ASSY	DWX4000	23	Holder	VEC1355
4	MTRM ASSY	DWX4005	24	Power Knob	DAC2306
5	PWSB ASSY	DWX4006	25	Power Knob Guard	DNK4534
6	SW POWER SUPPLY	DWR1548	26	Rear Panel	DNC2130
7	Crimp Connector	PF10PP-D07	27	Screw	BBZ30P060FTB
8	Connector ASSY	PF03PP-B05	28	Screw	PMH40P080FTC
9	Crimp Connector	DDC1025	29	Screw	BBZ30P060FTC
10	40P FFC	DDD1550	30	Binder	ZCA-SKB90BK
△	11 AC Inlet	DKP3988	31	Earth Terminal	DKE1019
NSP	12 Chassis	DNA1472	32	Flange Nut M9	DBN1008
	13 Shield Plate	DNF2021	33	Screw	IBZ30P080FTB
	14 Shield Plate	DNF2022	34	Nut	NKX2FTC
	15 Stay	DNF2024	35	Washer	DEC2920
	16 Stopper	DNH3295	36	Screw	PPZ30P080FTB
NSP	17 PCB Stay (Fe)	VNE2489	37	Screw	BPZ30P080FTB
NSP	18 Spacer	AEB7092	38	Screw (M3x5)	DBA1340
	19 Spacer	AEC1065			
	20 Sheet	DEC3621			

# 9.4 CONTROL PANEL SECTION



## CONTROL PANEL SECTION PARTS LIST

<u>Mark No.</u>	<u>Description</u>	<u>Part No.</u>	<u>Mark No.</u>	<u>Description</u>	<u>Part No.</u>
1	OLED ASSY	DWX4010	31	Cap /MIC	DAC2773
2	PNLA ASSY	DWX3996	32	Cap	DAC3284
3	CHFD ASSY	DWX4003	33	Lens	DNK6690
4	BFXB ASSY	DWX4004	34	Holder	DNK6691
5	HPVR ASSY	DWX4007	35	Lens	DNK6516
6	Connector ASSY	PF03PP-B12	36	Holder	DNK6692
7	FFC	DDD1805	37	Lens	DNK4532
8	FFC	DDD1806	38	Holder /LED	DNK5973
9	FFC	DDD1807	39	Holder	DNK6552
10	FFC	DDD1808	40	Lid	DNK6652
11	FFC	DDD1809	41	Lens	DNK6694
12	FFC	DDD1810	42	Plate	DAK1012
13	Cross Fader ASSY	DXA2257	NSP 43	Control Panel	DNB1255
14	Control Panel (Service ASSY)	DEA1077	44	Screw	BBZ30P060FTC
15	Stay	DNF2025	45	Screw	PMH20P040FTC
16	Stay	DNF2026	46	Screw	BPZ30P080FTC
17	Fader Packing	DEC2903	47	Screw	BPZ20P040FTB
18	SW Packing (Ef)	DEC2929	48	Flange Nut M9	DBN1008
19	Barrier	DEC3735	49	Screw	DBA1451
20	Barrier	DEC3745	50	OLED ASSY	DEA1065
21	DS Tape	DEH1094	51	Matrix OEL	MXS4057
22	Rivet (Plastic)	RBM-003	52	Holder	DNK6659
23	Packing	DEC3777	53	Escutcheon Service ASSY	DEA1072
24	Packing	DEC3781	54	Escutcheon	DNK6693
25	Button	DAC3250	55	Lens	DNK6610
26	Button	DAC3249			
27	Button	DAC3251			
28	Button	DAC3257			
29	Button	DAC3282			
30	Button	DAC3141			

1

2

3

4

A

B

C

D

E

F