

1 2 3 4

9. EXPLODED VIEWS AND PARTS LIST

NOTES:

- Parts marked by "NSP" are generally unavailable because they are not in our Master Spare Parts List.
- The \triangle mark found on some component parts indicates the importance of the safety factor of the part. Therefore, when replacing, be sure to use parts of identical designation.
- Screws adjacent to ∇ mark on product are used for disassembly.
- For the applying amount of lubricants or glue, follow the instructions in this manual. (In the case of no amount instructions, apply as you think it appropriate.)

9.1 PACKING SECTION

SYXJ8 only

9 10 3

12

1

4 or 5 or 6 or 7 or 8

2

KXJ5 only

11

14

13

16

15

88

DJM-900NXS

1 2 3 4

(1) PACKING SECTION PARTS LIST

Mark No.	Description	Part No.
⚠	1 Power Cord	See Contrast table (2)
	2 USB Cable	DDE1128
	3 CD-ROM	DXX2619
	4 Operating Instructions	See Contrast table (2)
	5 Operating Instructions	See Contrast table (2)
	6 Operating Instructions	See Contrast table (2)
	7 Operating Instructions	See Contrast table (2)
	8 Operating Instructions	See Contrast table (2)
NSP	9 Warranty Card (WY)	See Contrast table (2)
NSP	10 Flier	See Contrast table (2)
NSP	11 Recycle Label (M)	See Contrast table (2)
NSP	12 Polyethylene Bag	AHG7117
	13 Pad A	DHA1854
	14 Pad B	DHA1855
	15 Packing Case	See Contrast table (2)
	16 Packing Sheet	RHC1023

(2) CONTRAST TABLE

DJM-900NXS/SYXJ8, UXJCB, LXJ, KXJ5 and XJCN5 are constructed the same except for the following:

Mark	No.	Symbol and Description	DJM-900NXS /SYXJ8	DJM-900NXS /UXJCB	DJM-900NXS /LXJ	DJM-900NXS /KXJ5	DJM-900NXS /XJCN5
⚠	1	Power Cord	ADG7062	DDG1108	ADG7062	XDG3066	ADG7105
	4	Operating Instructions (En, Fr, De, It, Ni, Es, Ru)	DRB1533	Not used	Not used	Not used	Not used
	5	Operating Instructions (En)	Not used	DRB1542	Not used	Not used	Not used
	6	Operating Instructions (En, Es, Zhtw)	Not used	Not used	DRB1543	Not used	Not used
	7	Operating Instructions (Ko)	Not used	Not used	Not used	DRB1545	Not used
	8	Operating Instructions (En, Zhcn)	Not used	Not used	Not used	Not used	DRB1544
NSP	9	Warranty Card (WY)	ARY7107	Not used	Not used	Not used	Not used
NSP	10	Flier	DRH1108	DRH1109	DRH1109	DRH1107	DRH1107
NSP	11	Recycle Label (M)	Not used	Not used	Not used	DRW2307	Not used
	15	Packing Case	DHG2937	DHG2977	DHG2978	DHG2981	DHG2980

9.2 EXTERIOR SECTION

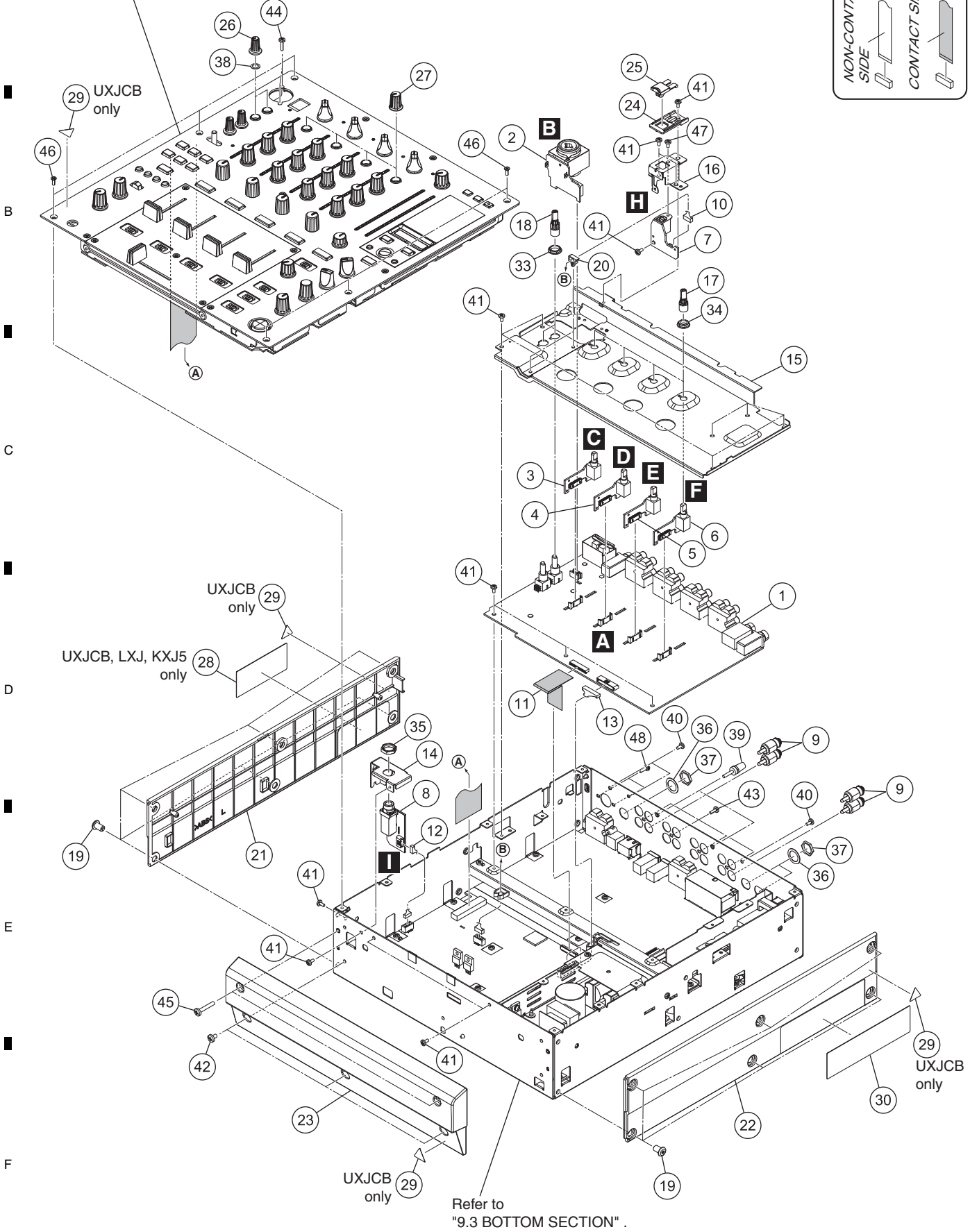
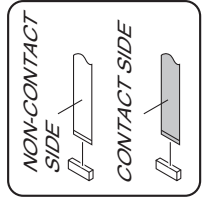
1

2

3

4

A Refer to "9.4 CONTROL PANEL SECTION (1/2)".



1

2

3

4

(1) EXTERIOR SECTION PARTS LIST

<u>Mark No.</u>	<u>Description</u>	<u>Part No.</u>	<u>Mark No.</u>	<u>Description</u>	<u>Part No.</u>
1	INPUT Assy	DWX3193	26	Rotary SW Knob S (B)	DAA1178
2	MIC1 Assy	DWX3207	27	Rotary SW Knob S (C)	DAA1204
3	TRM1 Assy	DWX3203	NSP 28	Caution Label	See Contrast table (2)
4	TRM2 Assy	DWX3204	NSP 29	Label	See Contrast table (2)
5	TRM3 Assy	DWX3205	NSP 30	Name Label	See Contrast table (2)
6	TRM4 Assy	DWX3206	31	•••••	
7	USB1 Assy	DWX3192	32	•••••	
8	HPJK Assy	DWX3208	33	Flange Nut M9	DBN1008
9	Short Pin Plug	AKM7008	34	Flange Nut M7	DBN1011
10	USB Cable (5P)	DDA1041	35	Nut M12	DBN1018
11	40P FFC	DDD1550	36	Washer	DEC2920
12	Connector Assy	PF04PP-S12	37	Nut	NKX2FTC
13	Connector Assy	PF11PP-D07	38	Washer	WA62D095D025
14	HP Stay	DNF1820	39	Terminal Screw	AKE-031
15	TRIM Bracket	DNF1864	40	Screw	BBZ30P060FTB
16	USB Bracket	DNF1868	41	Screw	BBZ30P060FTC
17	Extension Shaft A	DNK5365	42	Screw	BCZ40P060FTB
18	Extension Shaft B	DNK5366	43	Screw	BPZ30P080FTB
19	Rivet (Plastic)	AEC1877	44	Screw	BPZ30P120FTB
20	Locking Mini Clamp	DEC2439	45	Screw	BSZ40P220FTB
21	Side Panel L	DNK5363	46	Screw	CCZ30P080FTB
22	Side Panel R	DNK5364	47	Screw (M3x5)	DBA1340
23	Front Panel	DNK5845	48	Screw	PMH30P100FTB
24	USB Panel	DNK5847			
25	USB Cover B	DNK5868			

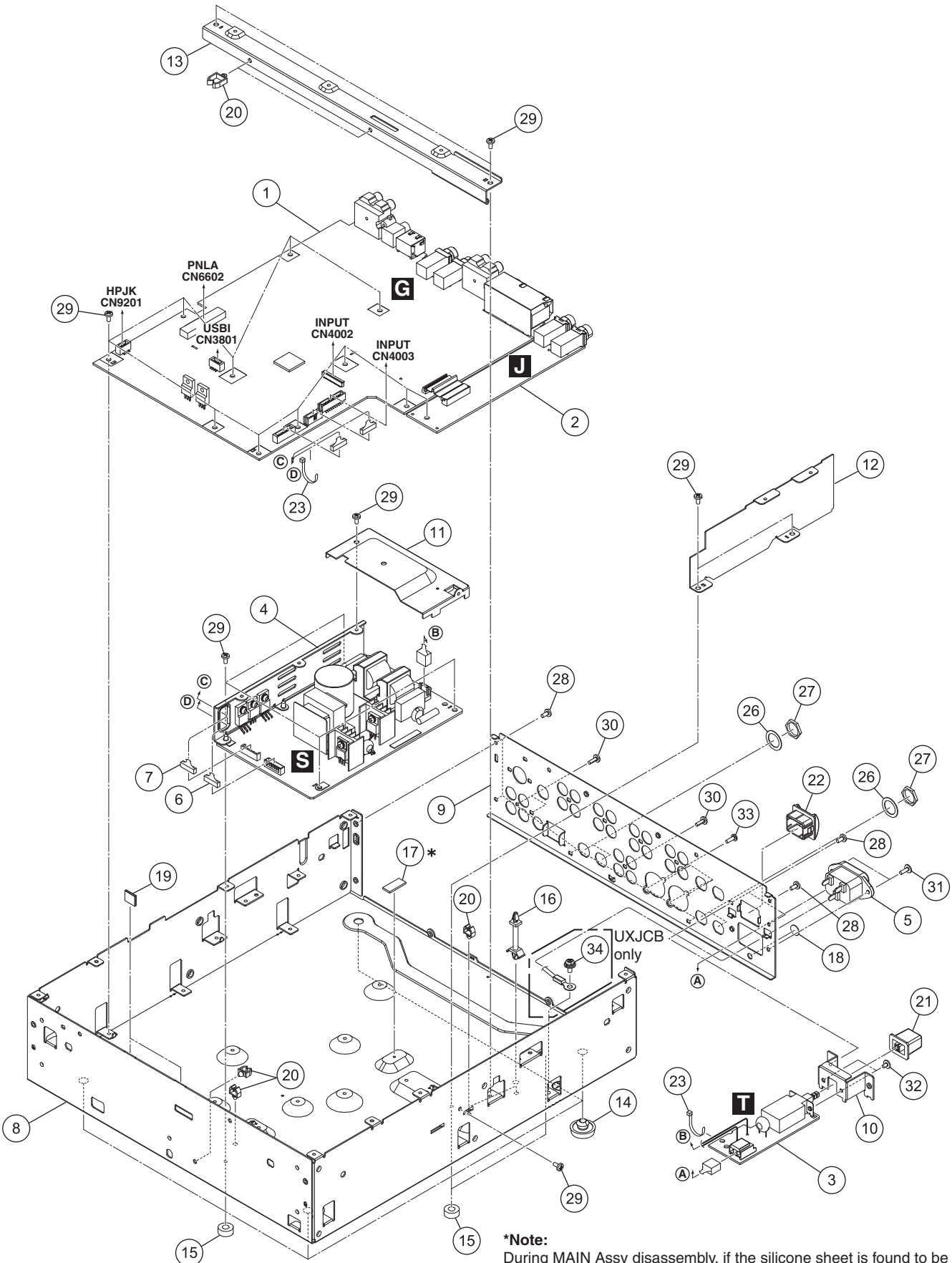
(2) CONTRAST TABLE

DJM-900NXS/SYXJ8, UXJCB, LXJ, KXJ5 and XJCN5 are constructed the same except for the following:

<u>Mark</u>	<u>No.</u>	<u>Symbol and Description</u>	<u>DJM-900NXS /SYXJ8</u>	<u>DJM-900NXS /UXJCB</u>	<u>DJM-900NXS /LXJ</u>	<u>DJM-900NXS /KXJ5</u>	<u>DJM-900NXS /XJCN5</u>
NSP	28	Caution Label	Not used	DRW2429	DRW2430	DRW2432	Not used
NSP	29	Label	Not used	DRW1975	Not used	Not used	Not used
NSP	30	Name Label	DRW2463	DRW2472	DRW2473	DRW2476	DRW2475

9.3 BOTTOM SECTION

A
B
C
D
E
F



***Note:**
During MAIN Assy disassembly, if the silicone sheet is found to be deformed, replace it with a new one.

BOTTOM SECTION PARTS LIST

Mark No.	Description	Part No.
	1 MAIN Assy	DWX3190
	2 SEND Assy	DWX3195
	3 ACSW Assy	DWR1490
⚠	4 POWER SUPPLY Assy	DWR1492
⚠	5 AC Inlet Assy	See Contrast table (2)
	6 Connector Assy	DKP3901
	7 Connector Assy	PF06EP-S22
NSP	8 Chassis	DNA1410
	9 Rear Panel	See Contrast table (2)
	10 Bracket PSW	DNF1759
	11 Power Shield	DNF1815
	12 AC Shield	DNF1816
	13 Center Stay	DNF1867
	14 Foot (Rubber)	REC-434
NSP	15 Spacer	AEB7092
	16 PCB Support	AEC7513
NSP	17 Silicon Rubber D5 L	DEB1456
	18 Blind Label	DEC2928
	19 Tape	DEC3053
	20 Holder	VEC1355
	21 Power Knob	DAC2306
	22 Power Knob Guard	DNK4534
	23 Binder	ZCA-SKB90BK
	24 •••••	
	25 •••••	
	26 Washer	DEC2920
	27 Nut	NKX2FTC
	28 Screw	BBZ30P060FTB
	29 Screw	BBZ30P060FTC
	30 Screw	BPZ30P080FTB
	31 Screw	IBZ30P080FTB
	32 Screw	IMZ30P040FTC
	33 Screw	PPZ30P080FTB
	34 Screw	See Contrast table (2)

(2) CONTRAST TABLE

DJM-900NXS/SYXJ8, UXJCB, LXJ, KXJ5 and XJCN5 are constructed the same except for the following:

Mark	No.	Symbol and Description	DJM-900NXS /SYXJ8	DJM-900NXS /UXJCB	DJM-900NXS /LXJ	DJM-900NXS /KXJ5	DJM-900NXS /XJCN5
⚠	5	AC Inlet Assy (2P)	DKP3762	Not used	DKP3762	DKP3762	DKP3762
⚠	5	AC Inlet Assy (3P)	Not used	DKP3927	Not used	Not used	Not used
	9	Rear Panel	DNC2020	DNC2037	DNC2038	DNC2041	DNC2040
	34	Screw	Not used	PMH40P080FTC	Not used	Not used	Not used

9.4 CONTROL PANEL SECTION (1/2)

1

2

3

4

A

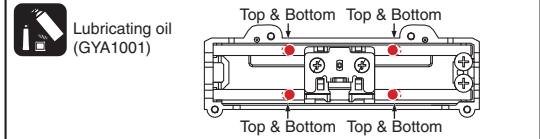
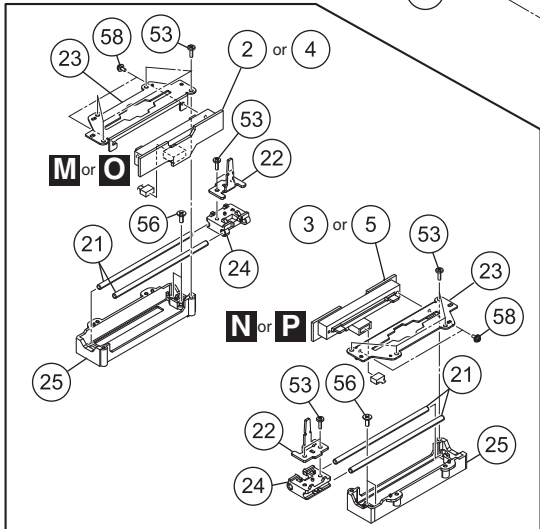
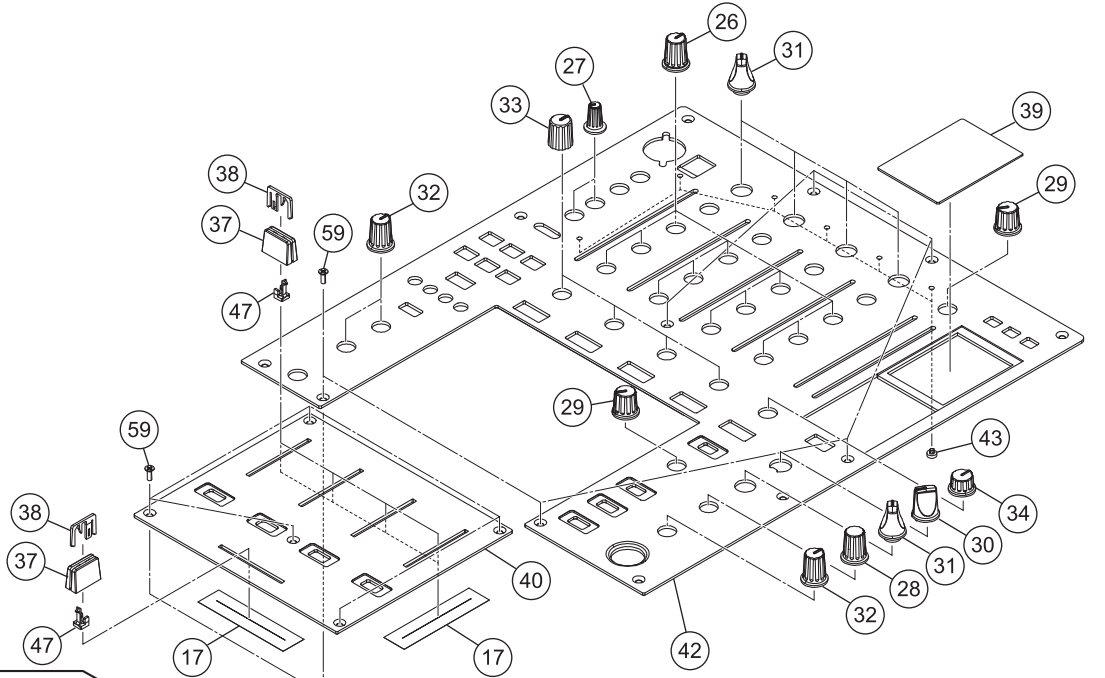
B

C

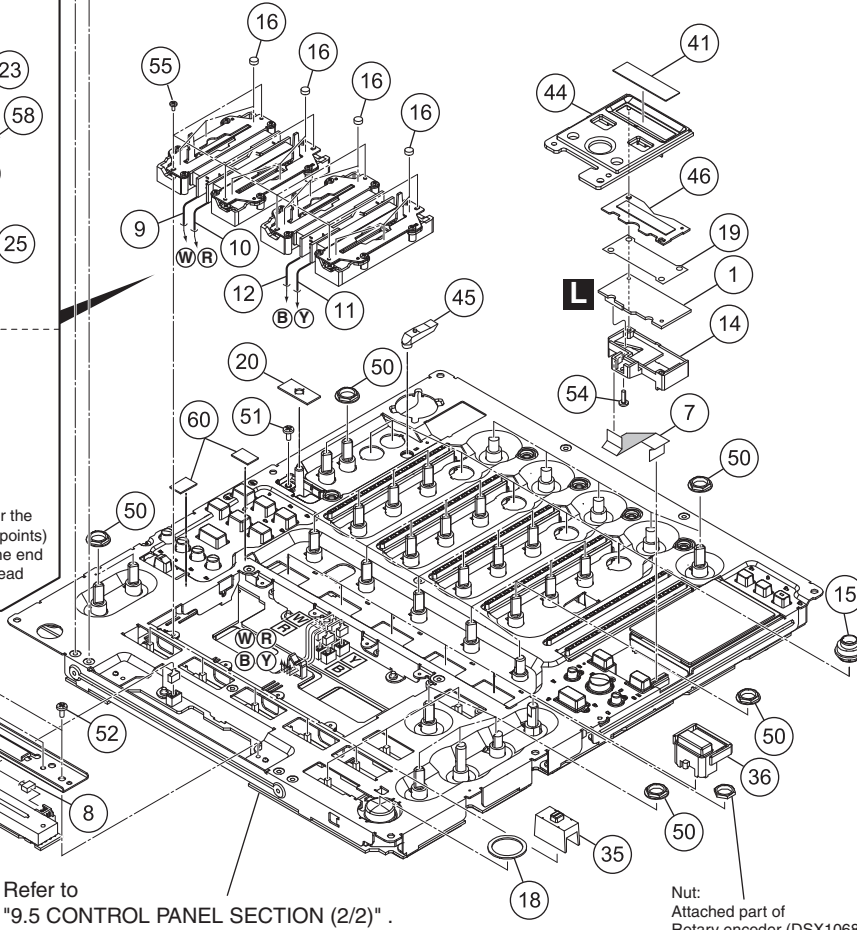
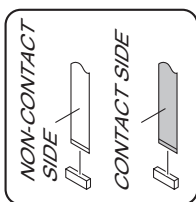
D

E

F



Note:
 Greasing must be performed at a total of 8 points, 2 points each for the upper and bottom places of each shaft. (0.4 to 1 mg per point × 8 points)
 After applying grease, move the slider base back and forth from one end to the other for approximately 10 to 20 strokes, in order to fully spread the grease.



Refer to "9.5 CONTROL PANEL SECTION (2/2)".

Nut:
Attached part of Rotary encoder (DSX1068)

1

2

3

4

CONTROL PANEL SECTION (1/2) PARTS LIST

<u>Mark No.</u>	<u>Description</u>	<u>Part No.</u>	<u>Mark No.</u>	<u>Description</u>	<u>Part No.</u>	
1	CDCB Assy	DWX3191	46	Lens (CDC)	DNK5871	
2	FAD1 Assy	DWX3198	47	Slider Knob Stopper	DNK5888	A
3	FAD2 Assy	DWX3199	48	•••••		
4	FAD3 Assy	DWX3200	49	•••••		
5	FAD4 Assy	DWX3201	50	Flange Nut M9	DBN1008	
6	FADC Assy	DWX3202	51	Screw	AMZ26P040FTC	
7	FFC	DDD1582	52	Screw	BBZ30P060FTC	
8	Connector Assy	PF03PP-B07	53	Screw	BPZ20P060FTC	
9	Connector Assy	PF03PP-B12	54	Screw	BPZ26P080FTC	
10	Connector Assy	PF03PP2B07	55	Screw	BSZ20P040FTB	
11	Connector Assy	PF03PP4B12	56	Screw	CPZ26P080FTC	B
12	Connector Assy	PF03PP6B07	57	Screw	IMZ30P040FTC	
13	CRF Stay	DNF1870	58	Screw	PMH20P040FTC	
14	CDC Holder	DNK5842	59	Screw	CCZ30P080FTB	
15	Bush	DNK5974	60	Spacer TFTB	DEC3300	
16	SW Cushion HH48/2	DEC2538				
17	Fader Packing	DEC2903				
18	SW Packing (EF)	DEC2929				
19	CDC Tape	DEC3324				
20	SW Packing	DED1177				C
NSP 21	Guide Shaft (S)	DLA1918				
22	Lever Plate	DNH2954				
23	VR Stay	DNH2955				
24	Slider Base	DNK5851				
25	Shaft Holder	DNK5852				
26	Rotary SW Knob (B)	DAA1176				
27	Rotary SW Knob S (A)	DAA1177				
28	Rotary SW Knob (C)	DAA1180				
29	Rotary SW Knob (MA)	DAA1198				D
30	Select Knob	DAA1205				
31	FX Sel Knob	DAA1213				
32	Rotary Knob (BN)	DAA1220				
33	Rotary SW Knob (HM)	DAA1256				
34	Rotary Knob Low (BN)	DAA1265				
35	Slide SW Cap (W)	DAC2401				
36	Button (CUE)	DAC2503				
37	Slider Knob 1	DAC2684				
38	Slider Knob 2	DAC2685				E
39	FL Panel	DAH2829				
40	Fader Panel	DAH2830				
41	CDC Sheet	DEC3325				
42	Control Panel	DNB1186				
43	Lens	DNK4532				
44	CDC Panel	DNK5846				
45	Lens (USB)	DNK5848				F

9.5 CONTROL PANEL SECTION (2/2)

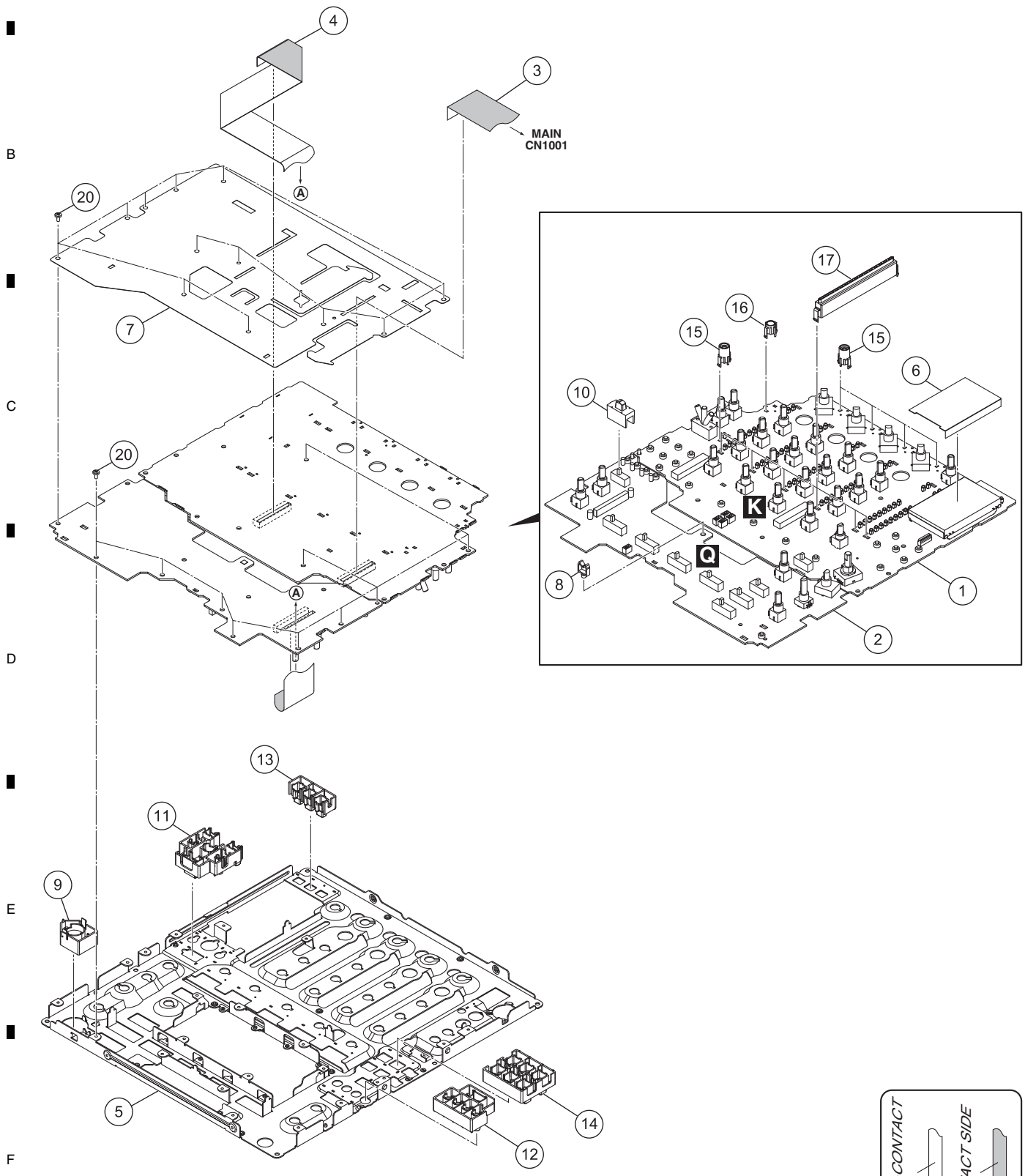
1

2

3

4

A • Bottom view



1

2

3

4

CONTROL PANEL SECTION (2/2) PARTS LIST

<u>Mark No.</u>	<u>Description</u>	<u>Part No.</u>	
1	PNLA Assy	DWX3196	
2	PNLB Assy	DWX3197	A
3	31P FFC	DDD1551	
4	31P FFC	DDD1553	
5	Panel Stay	DND1265	
6	Barrier FL	DEC3351	
7	Barrier	DEC3382	
8	Wire Saddle	XEC3100	
9	Effect Knob	DAC2304	
10	Slide SW Cap	DAC2400	
11	Button (TAP)	DAC2653	B
12	Button (LINK)	DAC2654	
13	Button (MIDI)	DAC2655	
14	Button (CFX)	DAC2656	
15	Lens Holder	DNK4533	
16	Lens Holder (S)	DNK5849	
17	Label Meter Assy	DXB1882	
18	•••••		
19	•••••		
20	Screw	BBZ30P060FTC	C