

# 9. EXPLODED VIEWS AND PARTS LIST

NOTES: ● Parts marked by "NSP" are generally unavailable because they are not in our Master Spare Parts List.

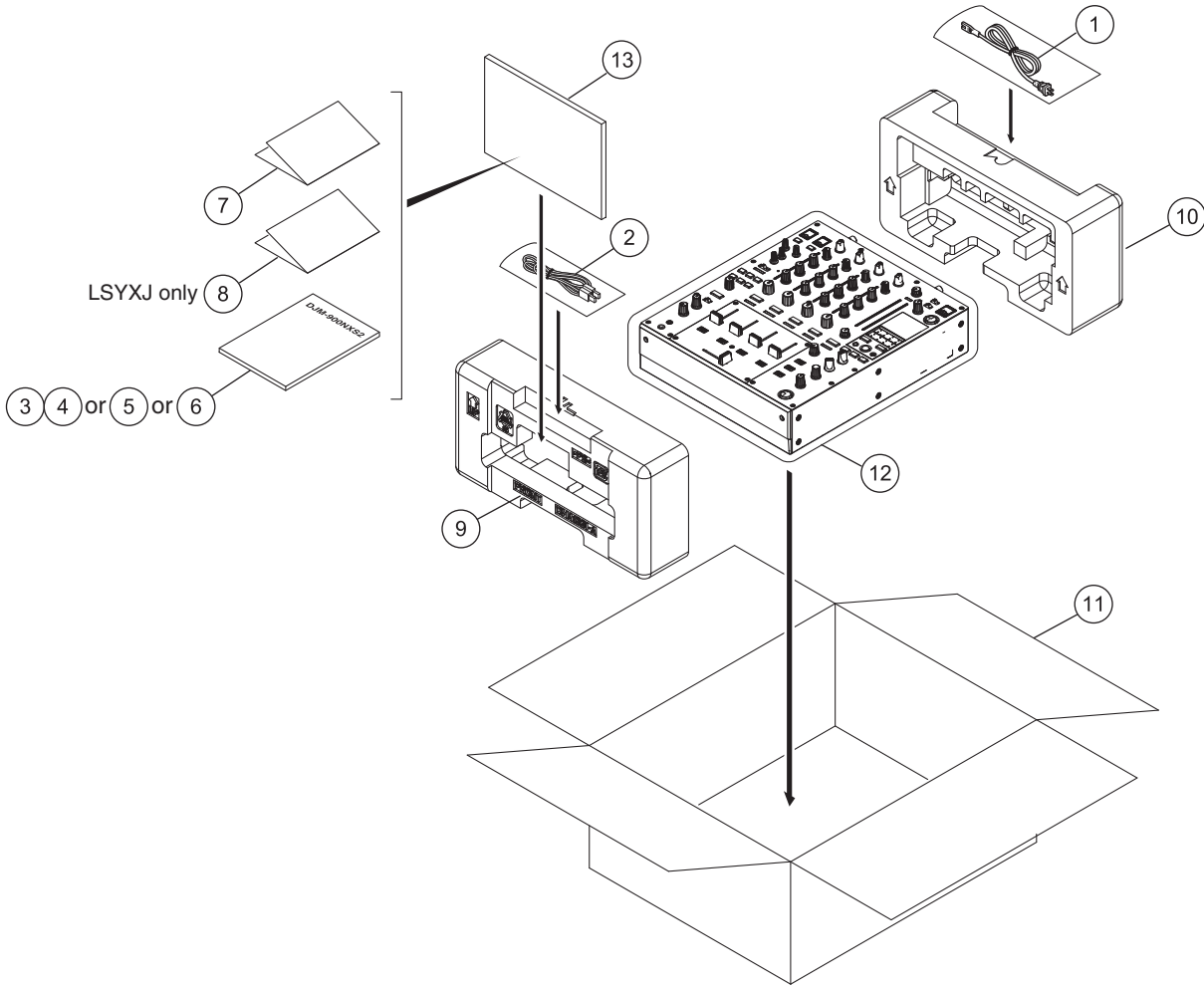
● The  $\triangle$  mark found on some component parts indicates the importance of the safety factor of the part. Therefore, when replacing, be sure to use parts of identical designation.

● Screws adjacent to  $\nabla$  mark on product are used for disassembly.

● For the applying amount of lubricants or glue, follow the instructions in this manual.

(In the case of no amount instructions, apply as you think it appropriate.)

## 9.1 PACKING SECTION



**(1) PACKING SECTION PARTS LIST**

<u>Mark No.</u>	<u>Description</u>	<u>Part No.</u>	<u>Mark No.</u>	<u>Description</u>	<u>Part No.</u>
⚠	1 Power Cord	See Contrast table	NSP 8	Warranty	See Contrast table
	2 USB Cable	DDE1128	9	Packing Pad	DHA1931
	3 Operating Instructions (Quick Start Guide)	See Contrast table	10	Packing Pad	DHA1932
	4 Operating Instructions (Quick Start Guide)	See Contrast table	11	Packing Case	See Contrast table
	5 Operating Instructions (Quick Start Guide)	See Contrast table	12	Packing Sheet	RHC1023
	6 Operating Instructions (Quick Start Guide)	See Contrast table	NSP 13	Polyethylene Bag	AHG7117
NSP 7	Leaflet	See Contrast table			

**(2) CONTRAST TABLE**

DJM-900NXS2/LSYXJ, UXJCB and XJCN are constructed the same except for the following:

Mark	No.	Symbol and Description	DJM-900NXS2 /LSYXJ	DJM-900NXS2 /UXJCB	DJM-900NXS2 /XJCN
⚠	1	Power Cord	ADG1244	DDG1108	DDG1114
	3	Operating Instructions (Quick Start Guide)(En, Fr, De, It)	DRH1331	Not used	Not used
	4	Operating Instructions (Quick Start Guide)(NI, Es, Pt, RU)	DRH1332	Not used	Not used
	5	Operating Instructions (Quick Start Guide)(En)	Not used	DRH1330	Not used
	6	Operating Instructions (Quick Start Guide)(Zhc)	Not used	Not used	DRH1333
NSP	7	Leaflet	DRH1275	DRH1275	DRH1274
NSP	8	Warranty	ARY7158	Not used	Not used
	11	Packing Case	DHG3429	DHG3445	DHG3447

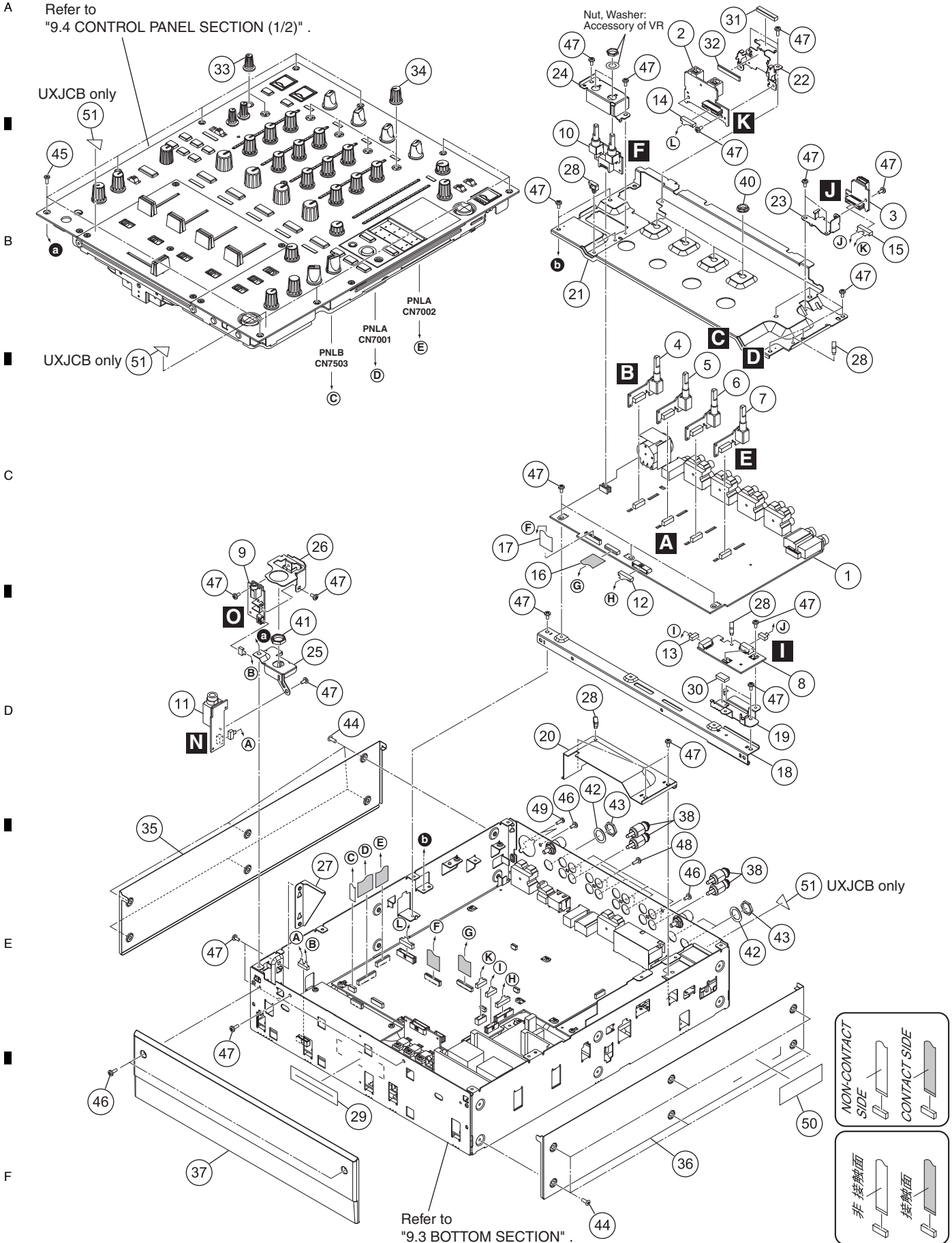
# 9.2 EXTERIOR SECTION

1

2

3

4



1

2

3

4

**(1) EXTERIOR SECTION PARTS LIST**

<u>Mark No.</u>	<u>Description</u>	<u>Part No.</u>	<u>Mark No.</u>	<u>Description</u>	<u>Part No.</u>
1	AINB Assy	DWX3713	26	Stay	DNF1967
2	USBB Assy	DWX3711	27	Stay	DNF1968
3	USBC Assy	DWX3712	28	Locking Mini Clamp	DEC2439
4	TRM1 Assy	DWX3715	29	Fader Packing	DEC2903
5	TRM2 Assy	DWX3716	30	Sheet	DEC3621
6	TRM3 Assy	DWX3717	31	EMC Gasket	DEC3637
7	TRM4 Assy	DWX3718	32	EMC Gasket	DEC3638
8	USBP Assy	DWX3734	33	Knob	DAA1354
9	HPJM Assy	DWX3739	34	Knob/CH	DAA1321
10	MTRM Assy	DWX3729	35	Panel	DNF1956
11	HPJK Assy	DWX3731	36	Panel	DNF1957
12	Crimp Connector	PF10PP-D07	37	Panel	DNK6509
13	Connector Assy	PF06PP-S12	38	Plug/Pin	DKM1024
14	Shielded Conn-Cable	DDA1054	39	•••••	
15	Shielded Conn-Cable	DDA1056	40	Flange Nut M7	DBN1011
16	40P FFC	DDD1550	41	Nut M12	DBN1018
17	FFC	DDD1715	42	Washer	DEC2920
18	Stay	DNF1960	43	Nut	NKX2FTC
19	Stay	DNF1951	44	Screw (FE)	DBA1290
20	Case	DNF1952	45	Screw	DBA1446
21	Stay	DNF1953	46	Screw	BBZ30P060FTB
22	Stay	DNF1954	47	Screw	BBZ30P060FTC
23	Stay	DNF1955	48	Screw	BPZ30P080FTB
24	Stay	DNF1958	49	Screw	PPZ30P080FTB
25	Stay	DNF1966	NSP 50	Name Label	See Contrast table
			NSP 51	Label	See Contrast table

**(2) CONTRAST TABLE**

DJM-900NXS2/LSYXJ, UXJCB and XJCN are constructed the same except for the following:

Mark	No.	Symbol and Description	DJM-900NXS2 /LSYXJ	DJM-900NXS2 /UXJCB	DJM-900NXS2 /XJCN
NSP	50	Name Label	DRW2687	DRW2675	DRW2674
NSP	51	Label	Not used	DRW1975	Not used

# 9.3 BOTTOM SECTION

A

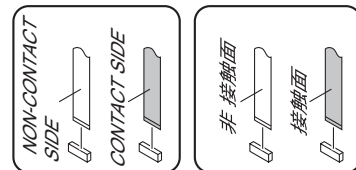
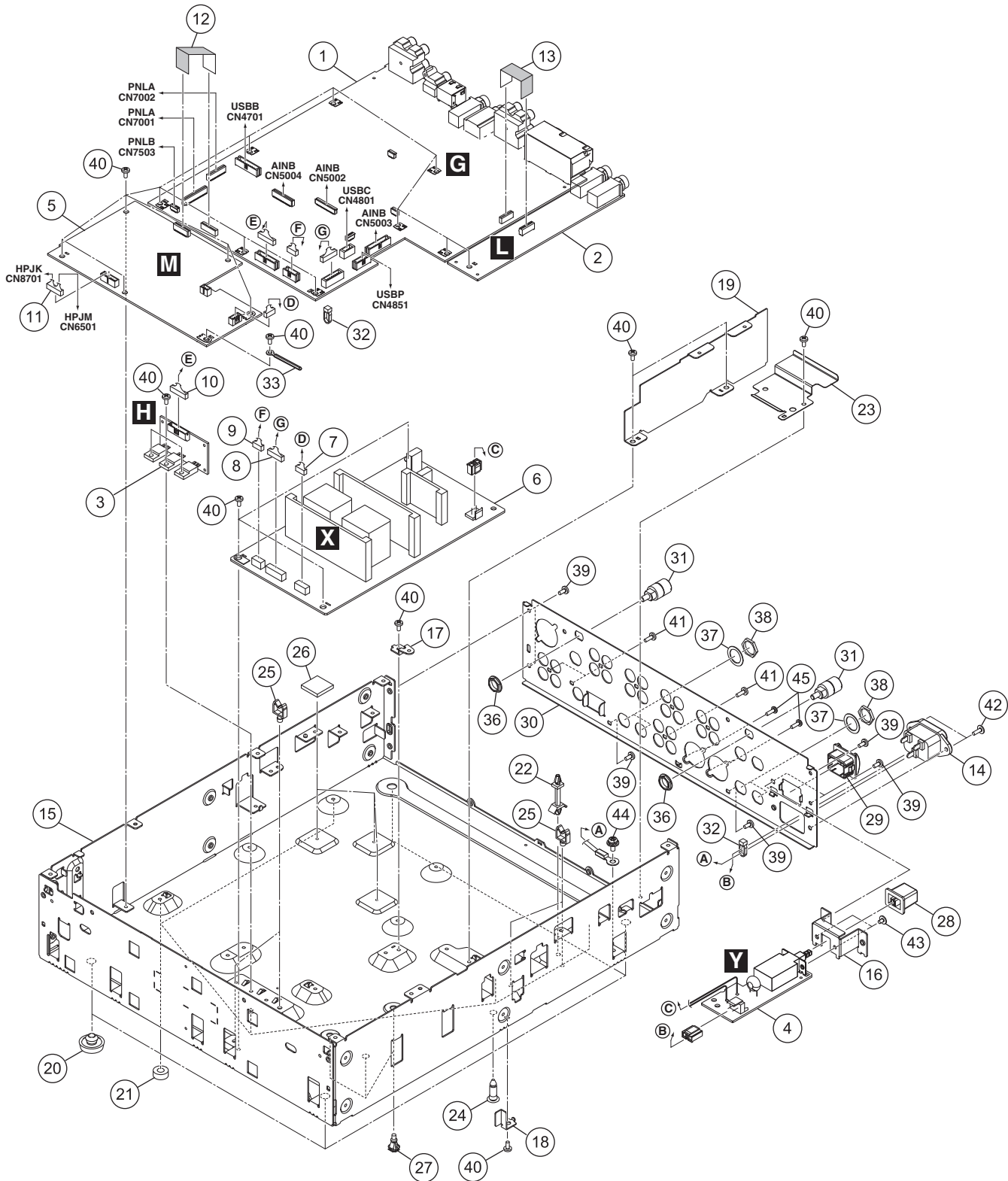
B

C

D

E

F



## BOTTOM SECTION PARTS LIST

<u>Mark No.</u>	<u>Description</u>	<u>Part No.</u>	
1	MAIN Assy	DWX3710	
2	SEND Assy	DWX3714	A
3	REGB Assy	DWX3721	
4	ACSW Assy	DWX3722	
5	HPPW Assy	DWX3728	
⚠	6 SW POWER SUPPLY	DWR1549	
	7 Crimp Connector	PF05PP-S25	
	8 Crimp Connector	PF08PP-S20	
	9 Connector Assy	PF04PP-S12	
	10 Crimp Connector	PF09PP-S07	
	11 Shielded Conn-Cable	DDA1061	B
	12 FFC	DDD1714	
	13 FFC	DDD1716	
⚠	14 AC Inlet	DKP3978	
	15 Chassis	DNA1457	
	16 Bracket PSW	DNF1759	
NSP	17 PCB Stay (FE)	VNE2489	
	18 Stay	DNF1950	
	19 Shield Plate	DNF1959	
	20 Foot (Rubber)	REC-434	C
NSP	21 Spacer	AEB7092	
NSP	22 PCB Spacer	AEC1446	
	23 Sheet	DEC3617	
	24 PCB Holder	PNW2029	
	25 Holder	VEC1355	
	26 Sheet	DEC3618	
	27 Spacer	DEC3636	
	28 Power Knob	DAC2306	
	29 Power Knob Guard	DNK4534	D
	30 Rear Panel	DNC2119	
	31 Earth Terminal	DKE1019	
	32 Cable Tie	ZCA-SKB90BK	
	33 Cord Clamper (Steel)	RNH-184	
	34 •••••		
	35 •••••		
	36 Flange Nut M9	DBN1008	
	37 Washer	DEC2920	
	38 Nut	NKX2FTC	E
	39 Screw	BBZ30P060FTB	
	40 Screw	BBZ30P060FTC	
	41 Screw	BPZ30P080FTB	
	42 Screw	IBZ30P080FTB	
	43 Screw	IMZ30P040FTC	
	44 Screw	PMH40P080FTC	
	45 Screw	PPZ30P080FTB	



5 6 7 8

**CONTROL PANEL SECTION (1/2) PARTS LIST**



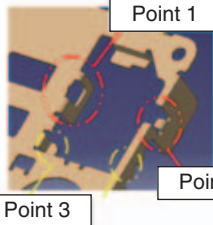
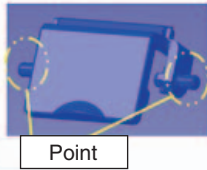
<u>Mark No.</u>	<u>Description</u>	<u>Part No.</u>	<u>Mark No.</u>	<u>Description</u>	<u>Part No.</u>
1	CDCB Assy	DWX3733	26	Select Knob	DAA1205
2	1..CROSS FADER Assy	DXA2257	27	Slider Knob 2	DAC2685
NSP 3	2..CRFD Assy	DWX3258	28	Slider Knob 1	DAC2684
4	Matrix OEL	MXS4057	29	Slider Knob Stopper	DNK5888
5	Connector Assy	PF03PP-B07	30	Knob (RES)	DAA1250
6	FFC	DDD1719	31	Knob	DAA1345
7	Stay/CRF	DNF1927	32	Button/CUE	DAC2882
8	SW Packing (EF)	DEC2929	33	Lens	DNK4532
9	Packing/L	DEC3416	34	Lens	DNK6516
10	Packing/S	DEC3417	35	Lens	DNK6517
11	Fader Packing	DEC2903	36	Plate	DAK1003
12	Sheet	DEC3615	37	Panel	DNK6514
13	Tape	DEH1083	38	Panel	DNK6515
14	Lid	DNK6550	39	Lens	DNK6518
15	Panel	DNK6539	40	Holder	DNK6549
16	Lid	See Contrast table *	41	Holder	DNK6512
17	Panel	DNK6651	42	Holder	DNK6513
18	Slide SW Cap (W)	DAC2401	43	Holder	DNK6552
19	Rotary Knob (BN)	DAA1220	44	Lens	DNK6553
20	Knob/FRE	DAA1309	45	Control Panel	DNB1243
21	Rotary Knob Low (BN)	DAA1265	46	Panel	DAH3053
22	Knob/RSW	DAA1305	47	•••••	
23	Knob/RSW	DAA1307	48	•••••	
24	Rotary SW Knob (C)	DAA1180	49	Screw (FE)	DBA1290
25	Rotary SW Knob (MA)	DAA1198	50	Screw	DBA1446
			51	Screw	BBZ30P060FTC
			52	Screw	BPZ20P060FTC
			53	Screw	BPZ26P080FTC
			54	Screw	BPZ30P080FTB
			55	Screw	BSZ20P040FTB

Note\*:

The shape of the lid (No.16) has been changed to improve the quality of attachment. Check [Before change] and [After change] rows in the table below and choose the lid and stay (No.8 on the next page) to replace.

**Contrast table**

Mark	No.	Part Name		Part No.	Stay	Note
	16	Lid	Before Change	DNK6551	DND1286 (NSP)	For details of each part, refer to the table below.
			After Change	DNK6652	DND1308	

Before change		After change		Note
Stay (DND1286)	Lid (DNK6551)	Stay (DND1308)	Lid (DNK6652)	Number of units before change: LSYXJ: 4,000 UXJCB: 2,000 XJCN: 100 (The number of units is approximate. Serial number is unavailable.)
				

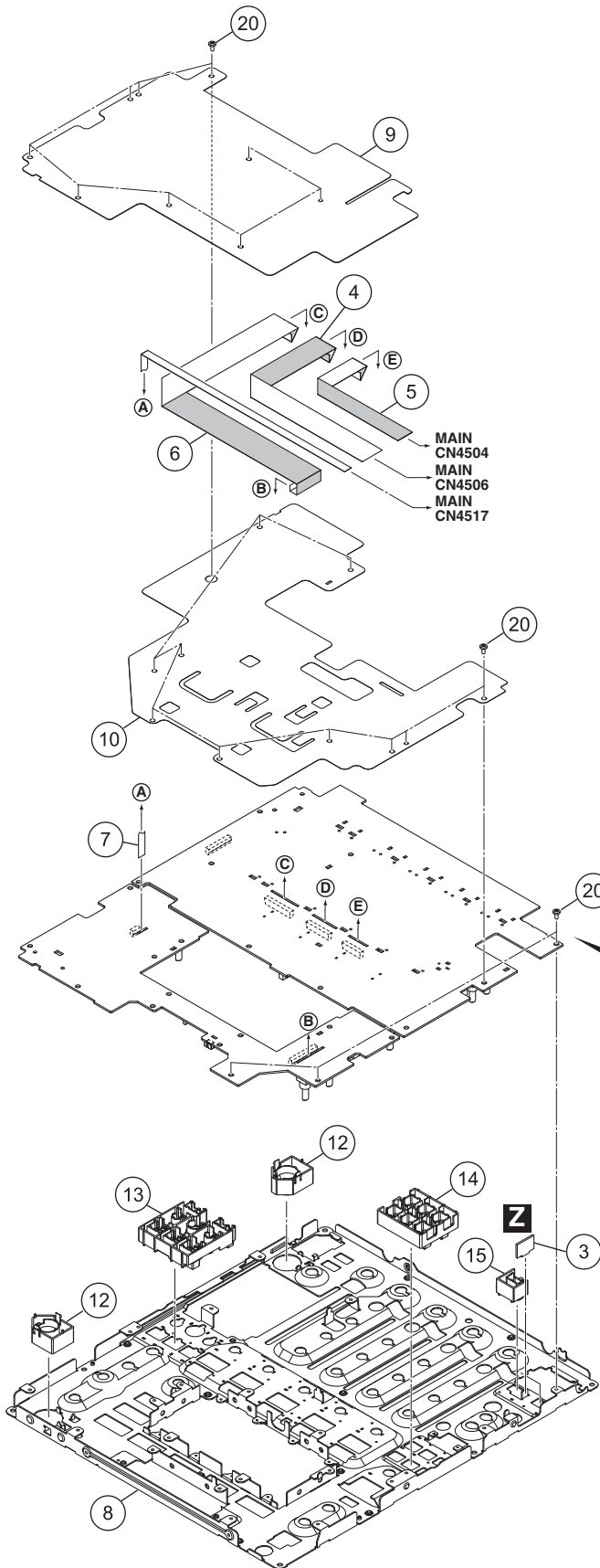
DJM-900NXS2

5 6 7 8

69

# 9.5 CONTROL PANEL SECTION (2/2)

A • Bottom view



### Channel Fader Section

\*: These parts may substitute it each other.  
\*: 相互で代用可能

**Q** \* **S** \* **R** \* **T**

22 or 24    23 or 25    26 or 29    27 or 28

PNLA CN7006 or CN7008    PNLA CN7007 or CN7009

32    36    37    30    31    33    34

38    36    32    38

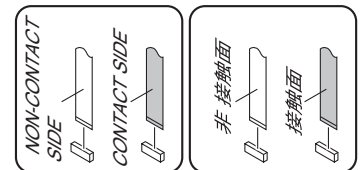
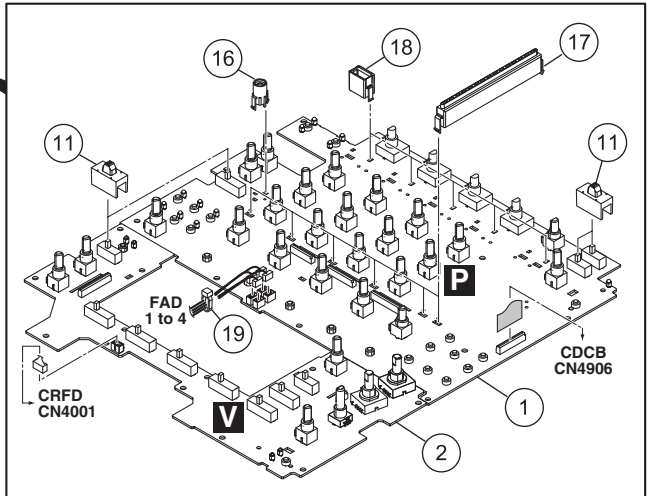
36    37    30    31    33    34

**Lubricating oil (GYA1001)**

Top & Bottom    Top & Bottom  
Top & Bottom    Top & Bottom

**Note:**  
Greasing must be performed at a total of 8 points, 2 points each for the upper and bottom places of each shaft. (0.4 to 1 mg per point × 8 points)  
After applying grease, move the slider base back and forth from one end to the other for approximately 10 to 20 strokes, in order to fully spread the grease.

**注意:**  
グリス塗布位置は各シャフト上下2箇所ずつ計8箇所です。  
(1ポイント当たり 0.4~1 mg × 8ポイント)  
グリス塗布後はスライダーベースを動かして(フルストローク)  
摺動部にグリスを十分にまぜてください。  
(動かす回数目安は10~20往復)



## CONTROL PANEL SECTION (2/2) PARTS LIST

<u>Mark No.</u>	<u>Description</u>	<u>Part No.</u>	
1	PNLA Assy	DWX3719	
2	PNLB Assy	DWX3720	A
3	GRDM Assy	DWX3862	
4	FFC	DDD1717	
5	FFC	DDD1718	
6	FFC	DDD1720	
7	FFC	DDD1738	
8	Stay	DND1308	
9	Sheet	DEC3616	
10	Sheet	DEC3620	
11	Cap	DAC3136	B
12	Button	DAC3141	
13	Button	DAC3142	
14	Button	DAC3143	
15	Button	DAC3144	
16	Lens Holder	DNK4533	
17	Level Meter Assy	DXB1882	
18	Holder	DNK6511	
19	Cable Tie	ZCA-SKB90BK	
20	Screw	BBZ30P060FTC	C
21	•••••		
22	FAD1 Assy	DWX3723	
23	FAD2 Assy	DWX3724	
24	FAD3 Assy	DWX3725	
25	FAD4 Assy	DWX3726	
26	Connector Assy	PF03PP-B10	
27	Crimp Connector	PF03PP6B10	
28	Connector Assy	PF03PP4B12	
29	Connector Assy	PF03PP2B12	D
NSP 30	Guide Shaft VK1	DLA1978	
31	Lever Plate	DNH2954	
32	VR Stay	DNH2955	
33	Slider Base	DNK5851	
34	Shaft Holder	DNK5852	
35	•••••		
36	Screw	BPZ20P060FTC	
37	Screw	CPZ26P080FTC	E
38	Screw	PMH20P040FTC	