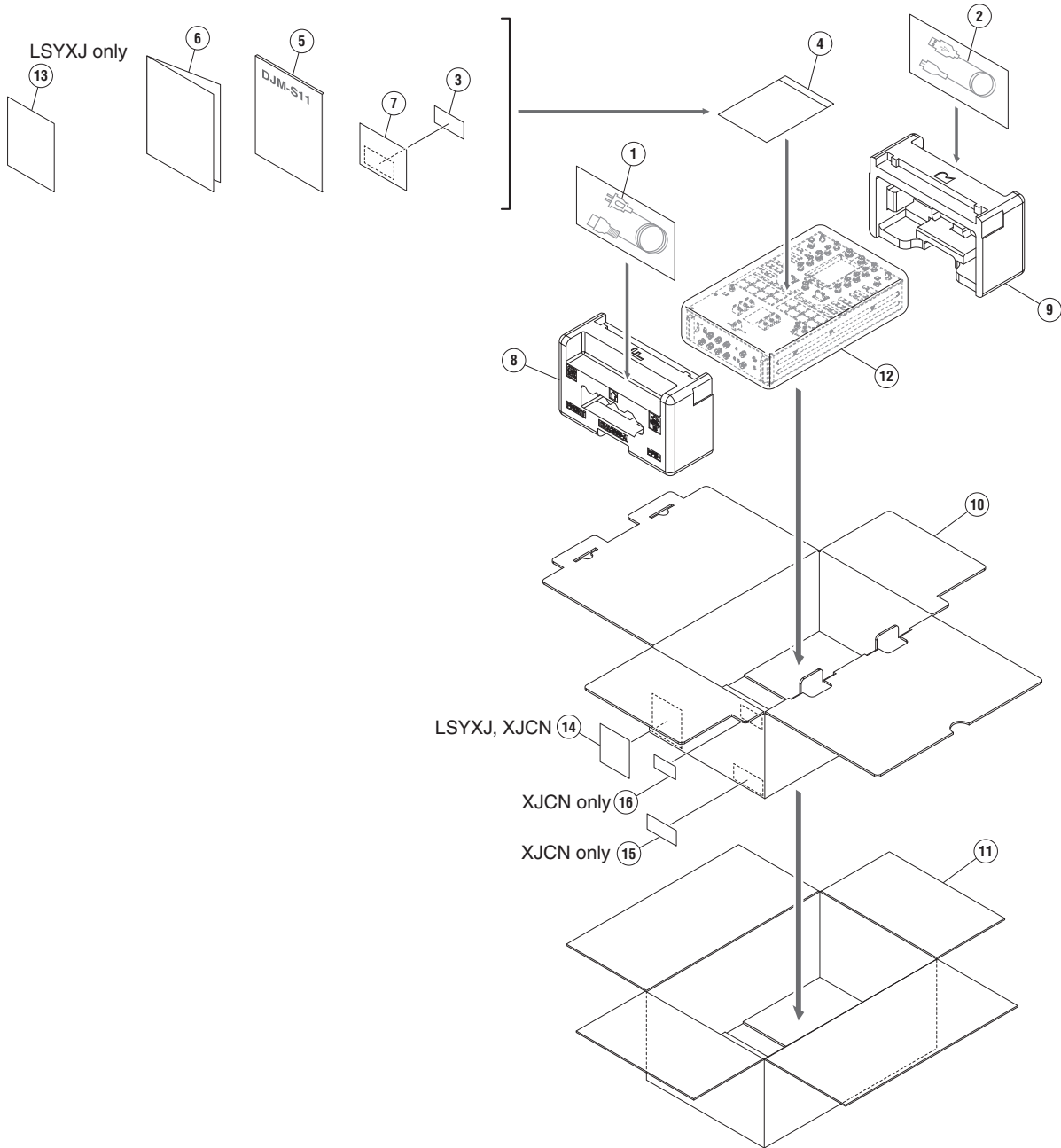


9. EXPLODED VIEWS AND PARTS LIST

NOTES: ● Parts marked by "NSP" are generally unavailable because they are not in our Master Spare Parts List.

- The \triangle mark found on some component parts indicates the importance of the safety factor of the part. Therefore, when replacing, be sure to use parts of identical design.
- Screws adjacent to ∇ mark on product are used for disassembly.
- For the applying amount of lubricants or glue, follow the instructions in this manual. (In the case of no amount instructions, apply as you think it appropriate.)

9.1 PACKING SECTION



(1) PACKING SECTION PARTS LIST

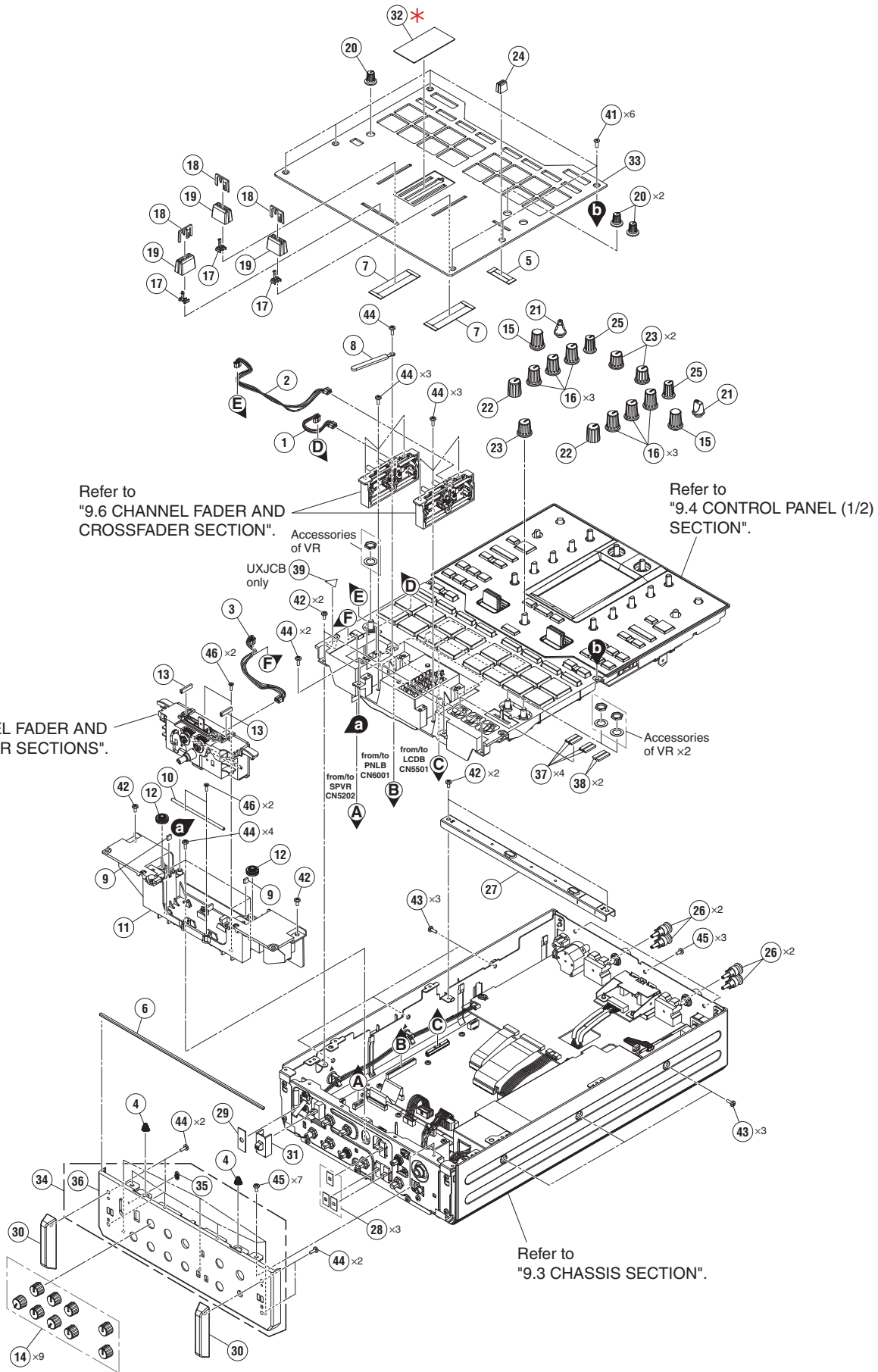
<u>Mark No.</u>	<u>Description</u>	<u>Part No.</u>	<u>Mark No.</u>	<u>Description</u>	<u>Part No.</u>
⚠	1 Power cord	See Contrast table (2)	10	Packing Case	See Contrast table (2)
	2 USB cable	DDE1150	11	Master Carton	See Contrast table (2)
NSP	3 Serato DJ Pro Expansion Pack voucher		12	Packing Sheet	RHC1023
NSP	4 Polyethylene Bag	AHG7117	NSP 13	Warranty	See Contrast table (2)
	5 Quick Start Guide	See Contrast table (2)	14	Label	See Contrast table (2)
	6 Precautions for Use	See Contrast table (2)	15	Label	See Contrast table (2)
NSP	7 Leaflet	DRM1434	16	Label	See Contrast table (2)
	8 Packing Pad	DHA2006			
	9 Packing Pad	DHA2007			

(2) CONTRAST TABLE

DJM-S11/LSYXJ, DJM-S11/UXJCB, DJM-S11/XJCN, DJM-S11-SE/LSYXJ and DJM-S11-SE/UXJCB are constructed the same except for the following:

Mark	No.	Symbol and Description	DJM-S11 /LSYXJ	DJM-S11 /UXJCB	DJM-S11 /XJCN	DJM-S11-SE /LSYXJ	DJM-S11-SE /UXJCB
⚠	1	Power cord	ADG1244	DDG1108	DDG1114	ADG1244	DDG1108
	5	Quick Start Guide	DRH1583	DRH1583	DRH1584	DRH1583	DRH1583
	6	Precautions for Use	DRH1596	DRH1596	DRH1598	DRH1596	DRH1596
	10	Packing Case	DHG3757	DHG3757	DHG3757	DHG3793	DHG3793
	11	Master Carton	DHG3758	DHG3765	DHG3767	DHG3795	DHG3794
NSP	13	Warranty	DRY1274	Not used	Not used	DRY1274	Not used
	14	Label	DRW2857	Not used	DRW2859	DRW2969	Not used
	15	Label	Not used	Not used	DRW2966	Not used	Not used
	16	Label	Not used	Not used	DRW2953	Not used	Not used

9.2 EXTERIOR SECTION



(1) EXTERIOR SECTION PARTS LIST

<u>Mark No.</u>	<u>Description</u>	<u>Part No.</u>	<u>Mark No.</u>	<u>Description</u>	<u>Part No.</u>
1	Connector Assy	PF03PP2B05	26	RCA Plug	DKM1026
2	Connector Assy	PF03PP-B20	27	Stay	DNF1944
3	Connector Assy	PF03PP4B12	28	Slide SW Packing (B)	DEC2590
4	Spring	DBH1810	29	Packing	DED1190
5	Fader Packing (B)	DEC2572	30	Guard	DNK6441
6	Cushion	DEC3639	31	Cap/MIC	DAC2773
7	Packing	DEC3908	32	Plate	See Contrast table (2)
8	Cord Clamper	DEX1025	33	Panel	See Contrast table (2)
9	Cushion	DEC3640	34	1..Panel	See Contrast table (2)
10	Guide Bar	VLL1514	NSP 35	2..Lens STANDBY	DNK5729
11	Holder	DNK6981	36	2..Panel	See Contrast table (2)
12	Damper/SI	DEB2008	37	Fader bumper A	GNK1010
13	Fader bumper C	DEC3605	38	Fader bumper B	DEC3809
14	Knob	DAA1456	NSP 39	Label	See Contrast table (2)
15	Knob	DAA1344	40	•••••	
16	Knob	DAA1434	41	Screw	DBA1451
17	Stopper	DNK6440	42	Screw	BBZ30P060FTC
18	Slider Knob 2	DAC2685	43	Screw	BBZ30P080FTB
19	Knob	See Contrast table (2)	44	Screw	BPZ30P080FNI
20	Knob	DAA1346	45	Screw	BSZ30P060FTB
21	Knob	DAA1415	46	Screw	CPZ26P080FTC
22	Knob/CL	DAA1320			
23	Knob	DAA1435			
24	Knob	DAC3088			
25	Knob	DAA1408			

(2) CONTRAST TABLE

DJM-S11 and DJM-S11-SE are constructed the same except for the following:

Mark	No.	Symbol and Description	DJM-S11 /LSYXJ	DJM-S11 /UXJCB	DJM-S11 /XJCN	DJM-S11-SE /LSYXJ	DJM-S11-SE /UXJCB
	19	Knob	DAC3233	DAC3233	DAC3233	DAC3238	DAC3238
	32	Plate	DAH3300*	DAH3300*	DAH3300*	DAH3332	DAH3332
	33	Panel	DNB1278	DNB1278	DNB1278	DNB1281	DNB1281
	34	Panel	DXA2395	DXA2395	DXA2395	DXA2409	DXA2409
	36	Panel	DNK6926	DNK6926	DNK6926	DNK6976	DNK6976
NSP	39	Label	Not used	DRW1975	Not used	Not used	DRW1975

* Use DEA1124 for the panels used in the first lot of products.

The serial numbers of the affected products are as follows.

DJM-S11/LSYXJ: 1 to 605

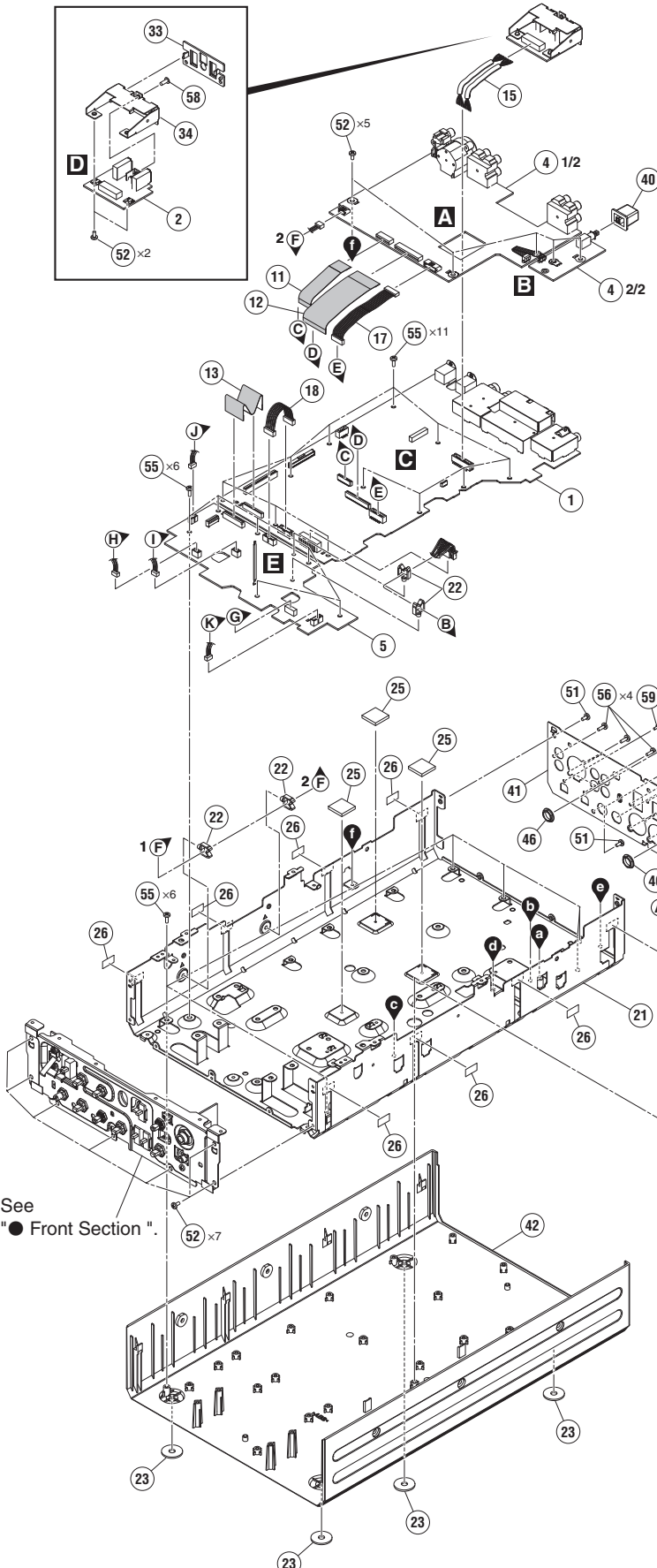
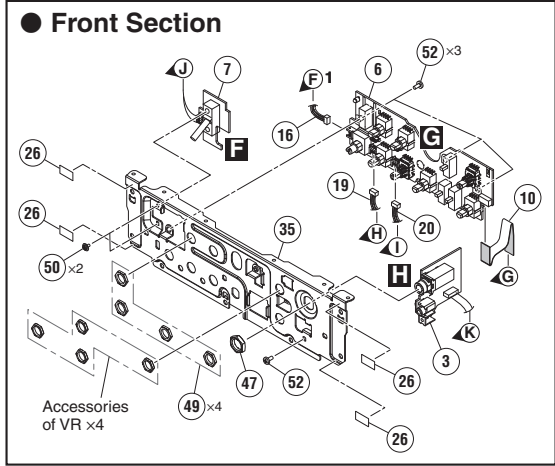
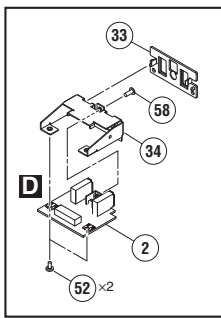
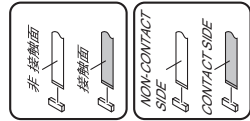
DJM-S11/UXJCB: 1 to 1600

DJM-S11/XJCN: Not applicable

9.3 CHASSIS SECTION

1 2 3 4

A
B
C
D
E
F



See "● Front Section".

Acetate tape

1 2 3 4

(1) CHASSIS SECTION PARTS LIST

<u>Mark No.</u>	<u>Description</u>	<u>Part No.</u>	<u>Mark No.</u>	<u>Description</u>	<u>Part No.</u>
1	MAIN Assy	See Contrast table (2)	31	Sheet	DEC3903
2	USBA Assy	DWX4421	32	Sheet	DEC3905
3	HPJK Assy	DWX4426	33	Holder	DNK6918
4	INPUT Assy	DWX4428	34	Stay	DNF2078
5	HPAMP Assy	DWX4429	35	Stay	DNF2079
6	FRVR Assy	DWX4425	36	Spacer	DNK6975
7	MCSW Assy	DWX4432	37	Earth Terminal	DKE1019
⚠	8 SW POWER SUPPLY	DWR1548	NSP 38	PC Support	VEC1749
⚠	9 AC Inlet	DKP3984	39	Power Knob Guard	DNK4534
10	FFC	DDD1702	40	Power Knob	DAC2306
11	FFC	DDD1973	41	Rear Panel	DNC2140
12	FFC	DDD1974	42	Chassis	DNK6917
13	FFC	DDD1694	43	•••••	
14	Crimp Connector	DDC1025	44	•••••	
15	Shielded Conn-Cable	DDA1075	45	Washer	DEC2920
16	Shielded Conn-Cable	DDA1100	46	Flange Nut M9	DBN1008
17	Connector Assy	PF07PP-D07	47	Nut M12	DBN1018
18	Connector Assy	PF06PP-D05	48	Nut (M12)	NKX2FNI
19	Connector Assy	PF03PP-B05	49	Nut	NK90FTC
20	Connector Assy	PF03PP-B07	50	Screw	AMZ26P040FTC
21	Chassis	DNA1477	51	Screw	BBZ30P060FTB
22	Holder	VEC1355	52	Screw	BBZ30P060FTC
23	Cushion	DEC3177	53	Screw	BBZ30P080FTB
24	Cable tie	ZCA-SKB90BK	54	Screw	BMZ30P060FTB
25	Sheet	DEC3618	55	Screw	BPZ30P080FNI
26	Sheet	DEC3968	56	Screw	BPZ30P080FTB
27	Shield Case	DNF2075	57	Screw	BPZ30P100FTB
28	Shield Case	DNF2076	58	Screw (FE)	DBA1290
29	Shield Case	DNF2077	59	Screw (M3*5)	DBA1340
NSP 30	PCB Holder	PNW1706	60	Screw	IBZ30P080FTB
			61	Screw	PMH40P080FTC
			62	Screw	PPZ30P080FTB

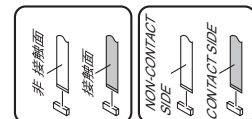
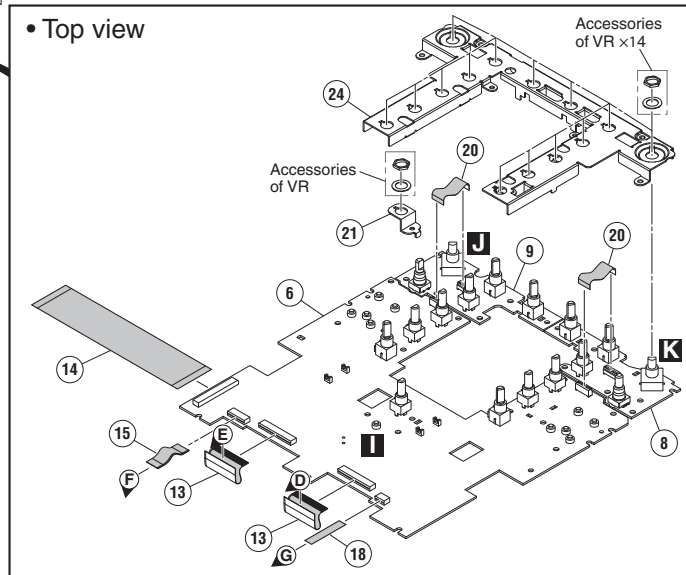
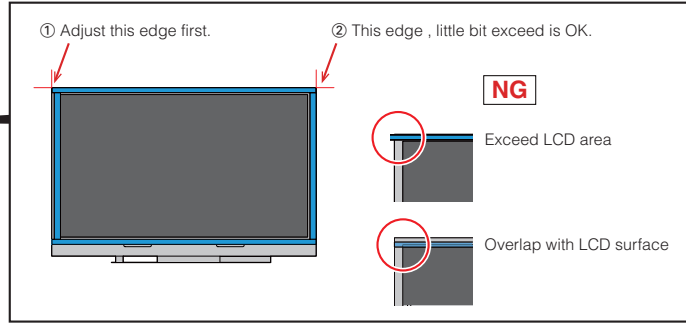
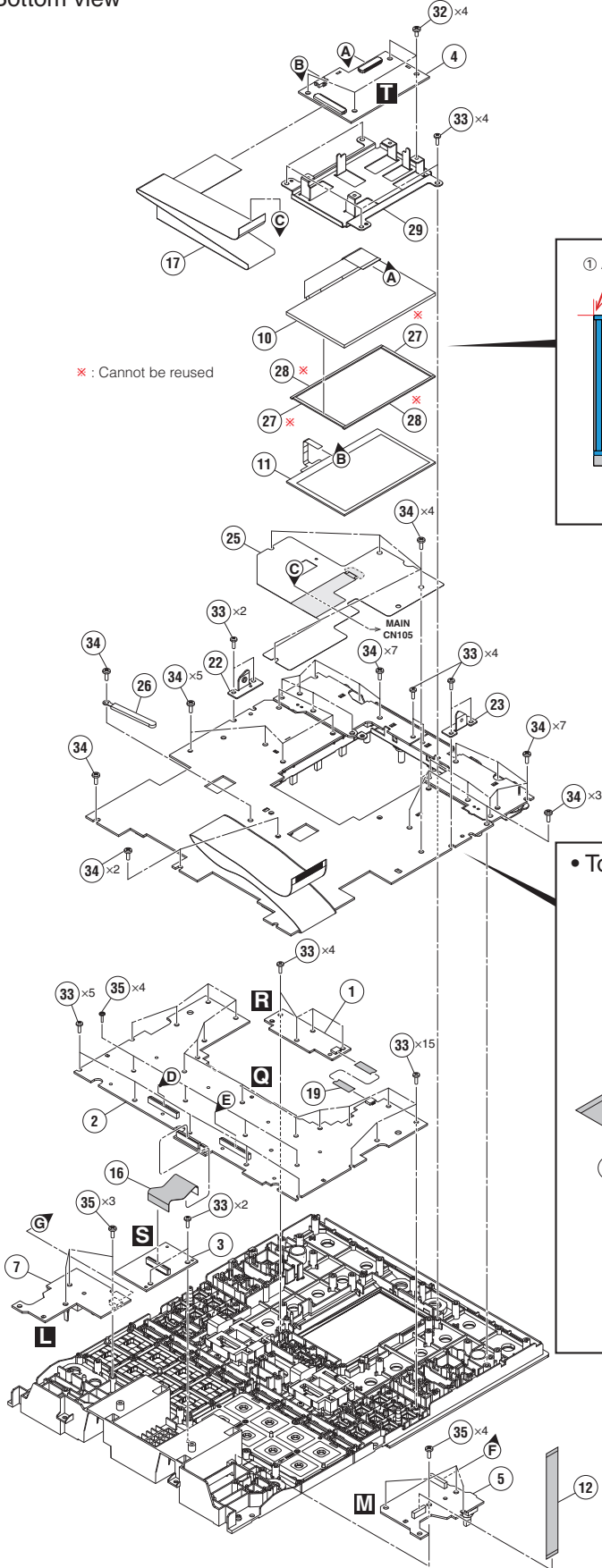
(2) CONTRAST TABLE

DJM-S11 and DJM-S11-SE are constructed the same except for the following:

Mark	No.	Symbol and Description	DJM-S11	DJM-S11-SE
	1	MAIN Assy	DWX4415	DWX4513

9.4 CONTROL PANEL (1/2) SECTION

A • Bottom view



CONTROL PANEL (1/2) SECTION PARTS LIST

<u>Mark No.</u>	<u>Description</u>	<u>Part No.</u>	
1	TAPB Assy	DWX4433	
2	PADB Assy	DWX4419	A
3	LVMT Assy	DWX4423	
4	LCDB Assy	DWX4420	
5	SPVR Assy	DWX4422	
6	PNLB Assy	DWX4424	
7	HPFD Assy	DWX4427	
8	PNLR Assy	DWX4430	
9	PNLL Assy	DWX4431	
10	TFT LCD	DWX4434	
11	Touch Panel	DSX1149	B
12	FFC	DDD1700	
13	FFC	DDD1701	
14	FFC	DDD1803	
15	FFC	DDD1973	
16	FFC	DDD1975	
17	FFC	DDD1976	
18	FFC	DDD1978	
19	FFC	DDD1979	
20	FFC	DDD1980	C
21	Stay	DNH3214	
22	Stay	DNH3450	
23	Stay	DNH3456	
24	Stay	DNH3451	
25	Sheet	DEC3906	
26	Cord Clamper	DEX1025	
27	Packing	DEC3915	
28	Packing	DEC3916	
29	Stay	DNF2081	D
30	•••••		
31	•••••		
32	Screw	BBZ30P060FTC	
33	Screw	BPZ26P080FTC	
34	Screw	BPZ30P080FNI	
35	Screw	IPZ20P080FTC	

9.5 CONTROL PANEL (2/2) SECTION

1

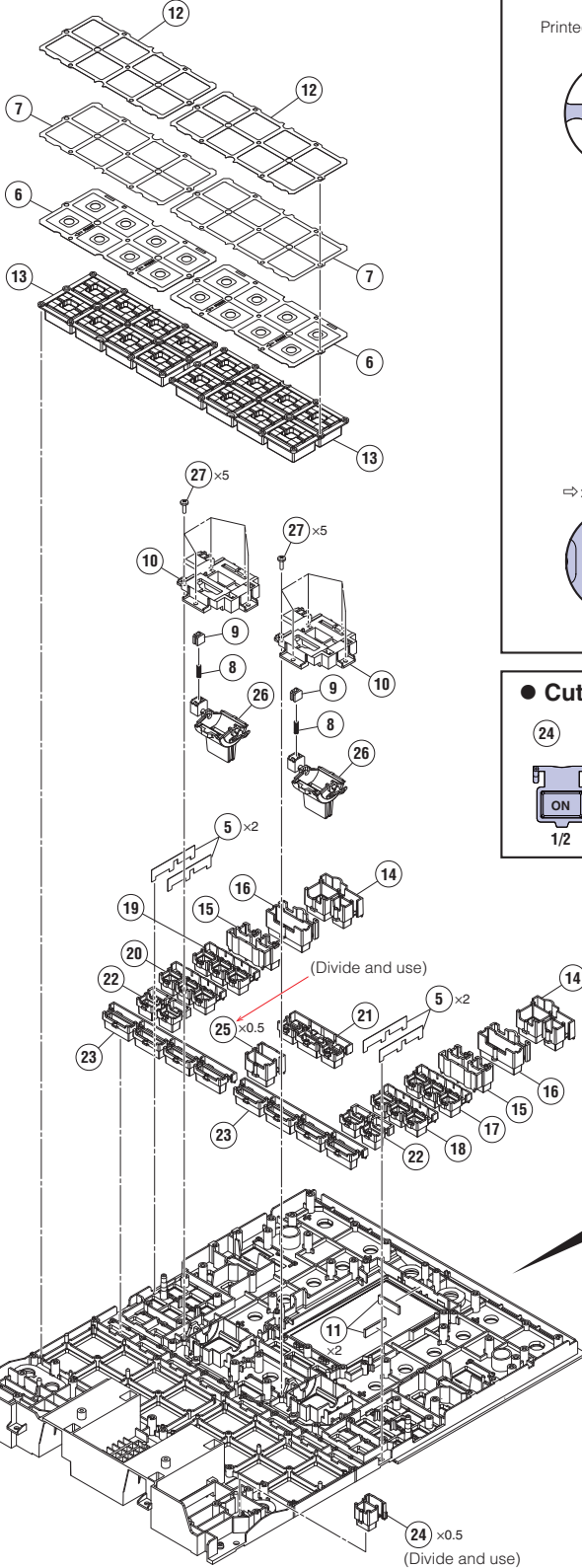
2

3

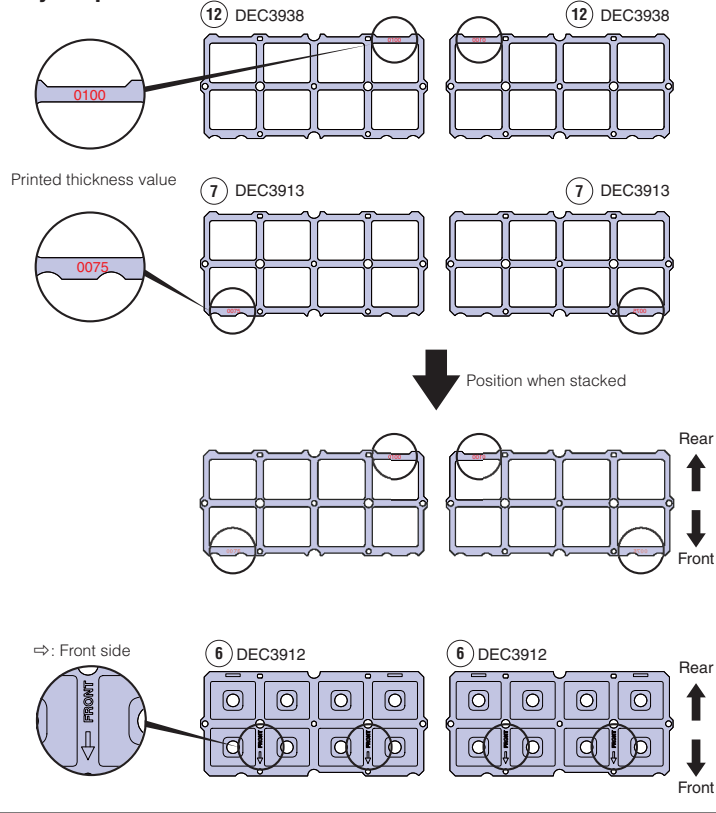
4

A • Bottom view

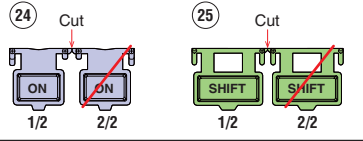
Refer to "7. DISASSEMBLY"



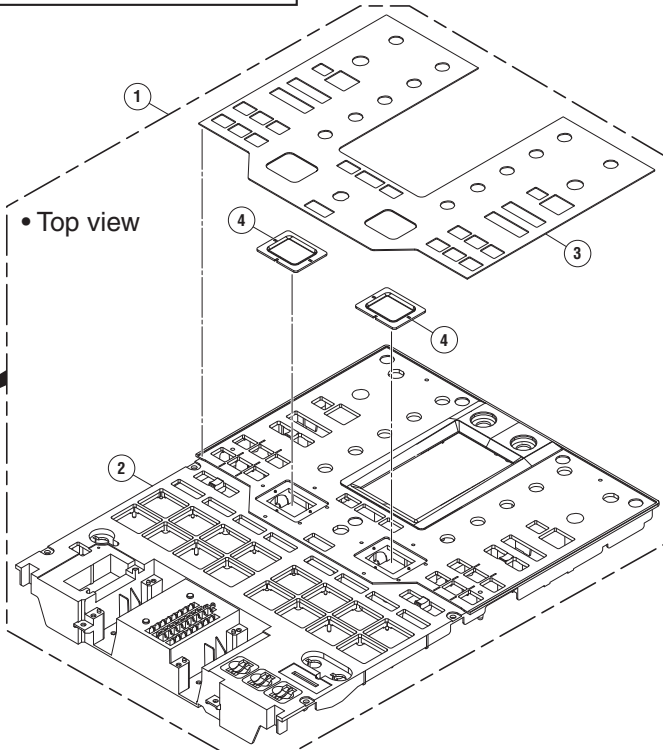
• Layout position



• Cut position



• Top view



1

2

3

4

(1) CONTROL PANEL (2/2) SECTION PARTS LIST

<u>Mark No.</u>	<u>Description</u>	<u>Part No.</u>	<u>Mark No.</u>	<u>Description</u>	<u>Part No.</u>
1	1..Service Panel Assy	See Contrast table (2)	16	Button	DAC3576
2	2..Panel	See Contrast table (2)	17	Button	DAC3529
3	2..Panel	See Contrast table (2)	18	Button	DAC3530
4	2..Panel	See Contrast table (2)	19	Button	DAC3531
5	Sheet	DEC3910	20	Button	DAC3532
6	Sheet	DEC3912	21	Button	DAC3533
7	Spacer	DEC3913	22	Button	DAC3094
8	Lever Spring	DBH1702	23	Button	DAC3535
9	Lever Cap	DNK5344	24	Button	DAC3536
10	Holder	DNK6923	25	Button	DAC3537
11	Packing/LCD	DEC3565	26	Lever	DAC3081
12	Spacer	DEC3938	27	Screw	BPZ26P080FTC
13	Button	DEB2079			
14	Button	DAC3528			
15	Button	DAC3090			

(2) CONTRAST TABLE

DJM-S11 and DJM-S11-SE are constructed the same except for the following:

Mark	No.	Symbol and Description	DJM-S11	DJM-S11-SE
	1	Service Panel Assy	DEA1105	DEA1106
	2	Panel	DNK6919	DNK6977
	3	Panel	DNK6920	DNK6978
	4	Panel	DNK6436	DNK6979

1 2 3 4

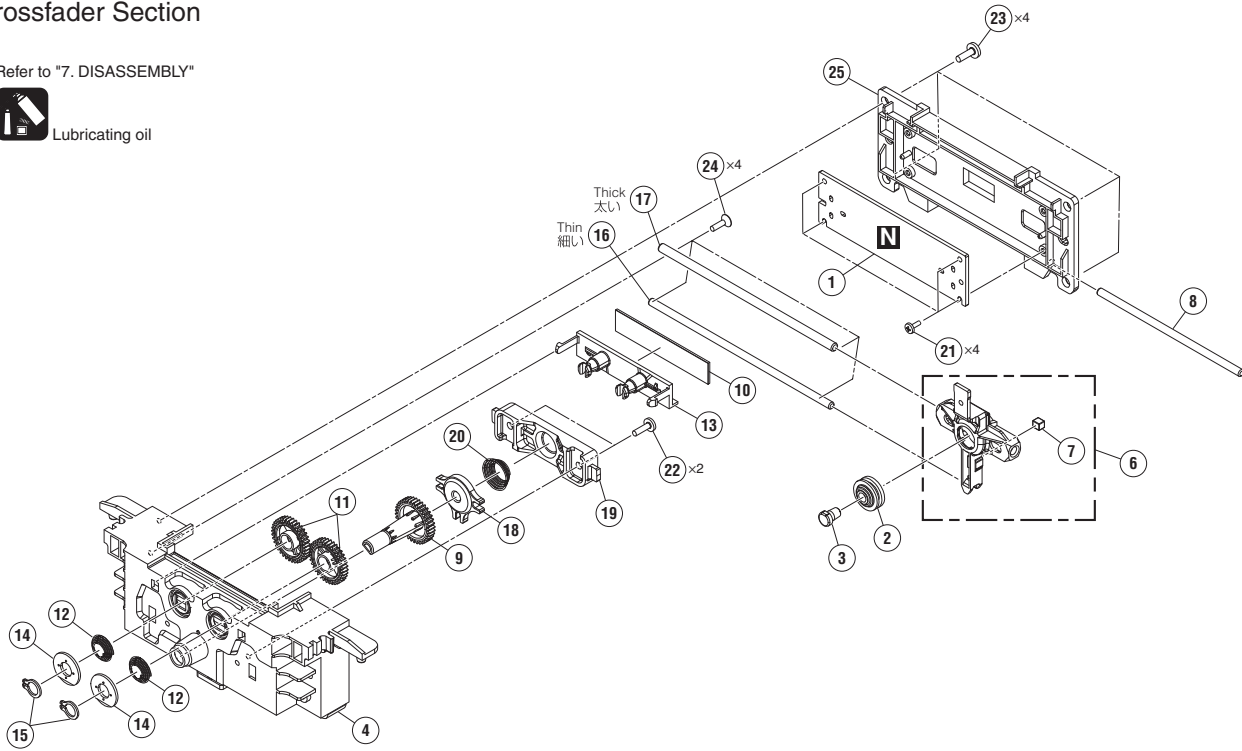
9.6 CHANNEL FADER and CROSSFADER SECTIONS

A • Crossfader Section

Refer to "7. DISASSEMBLY"



Lubricating oil

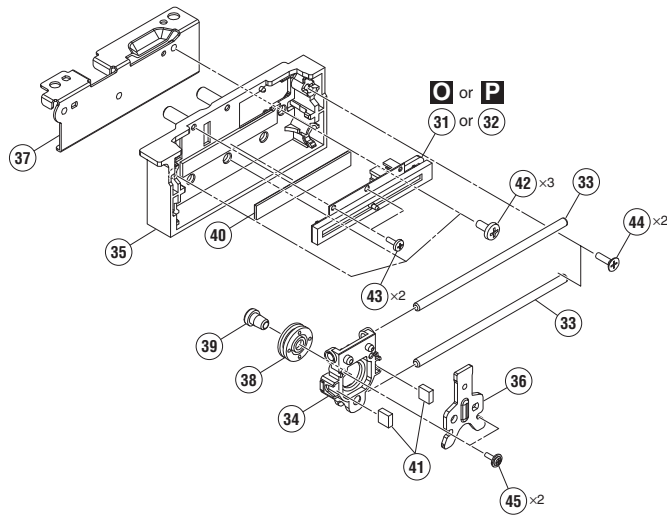


D • Channel fader Section

Refer to "7. DISASSEMBLY"



Lubricating oil



72

DJM-S11

1 2 3 4

CHANNEL FADER and CROSSFADER SECTIONS PARTS LIST

<u>Mark No.</u>	<u>Description</u>	<u>Part No.</u>	
Crossfader Section			
	1 CRFD Assy	DWX4418	A
	2 Damper	DEB2032	
	3 Brake	DNK6427	
	4 Holder	DNK6921	
	5 •••••		
	6 1..Slider Service Assy	DEA1107	
NSP	7 2..Magnet	DMG1018	
	8 Guide Bar	VLL1514	
	9 Gear	DNK6431	
	10 Felt	DEC3597	B
	11 Gear	DNK6430	
	12 Spring	DBH1809	
	13 Brake	DNK6428	
	14 Bush (MA)	DNK5086	
	15 Washer	YC60FAC	
	16 Shaft	DLA2240	
	17 Shaft	DLA2274	
	18 Brake	DNK6445	
	19 Plate	DNK6446	
	20 Spring/TRQ	DBH1792	C
	21 Screw	BPZ20P050FTC	
	22 Screw	BPZ26P080FTC	
	23 Screw	BPZ30P080FNI	
	24 Screw	CPZ26P080FTC	
	25 Holder	DNK6432	
	26 •••••		
	27 •••••		
	28 •••••		
	29 •••••		D
	30 •••••		
CH Fader Section			
	31 C1FD Assy	DWX4416	
	32 C2FD Assy	DWX4417	
	33 Shaft	DLA2273	
	34 Slider	DNK6426	
	35 Holder	DNK6924	
	36 Lever	DNH3211	E
	37 Stay	DNF2080	
	38 Damper	DEB2032	
	39 Brake	DNK6427	
	40 Felt	DEC3917	
NSP	41 Cushion	DEC3356	
	42 Screw	BBZ30P060FTC	
	43 Screw	BPZ20P050FTC	
	44 Screw	CPZ26P080FTC	
	45 Screw	IPZ20P050FTC	F