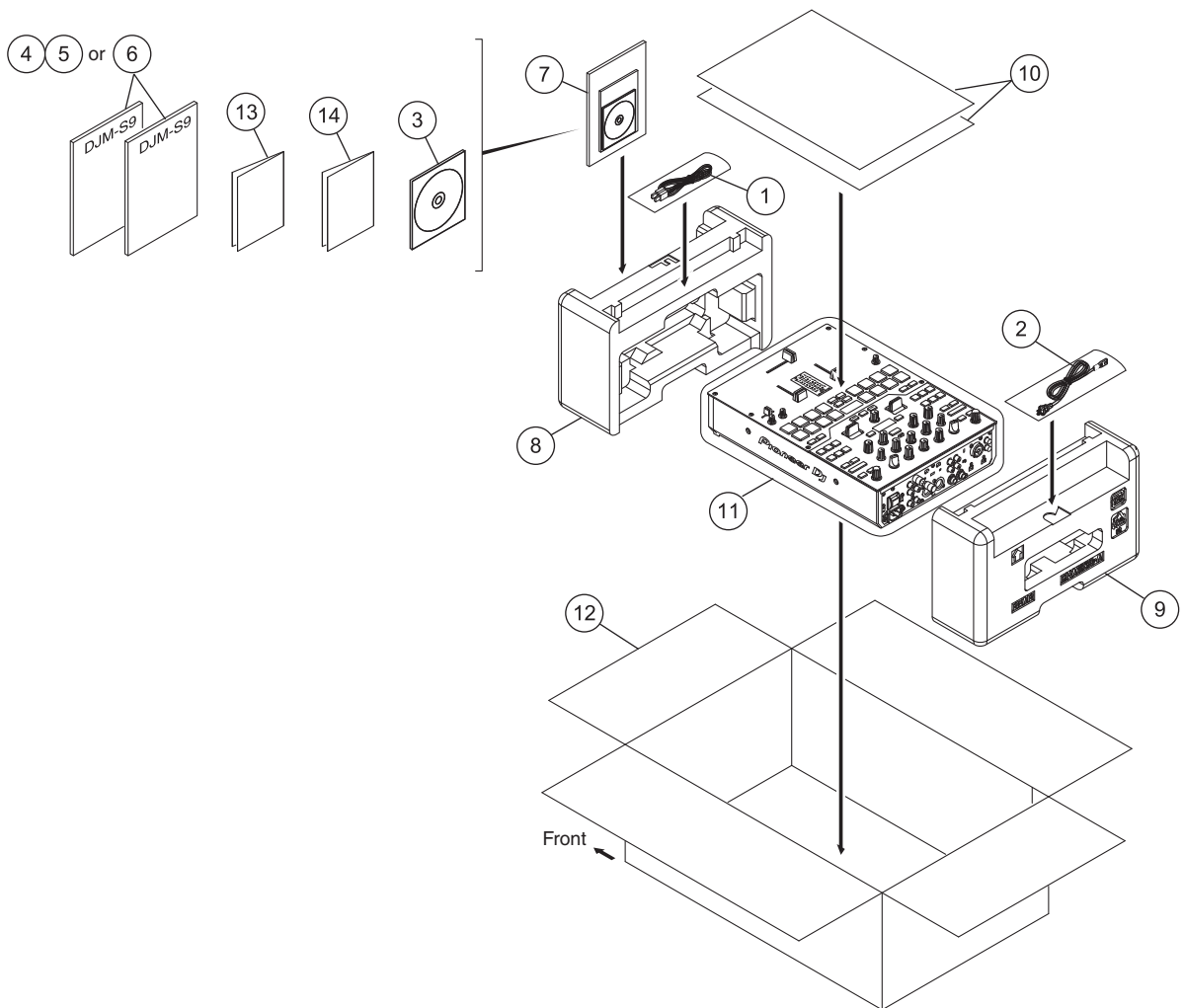


9. EXPLODED VIEWS AND PARTS LIST

- NOTES:
- Parts marked by "NSP" are generally unavailable because they are not in our Master Spare Parts List.
 - The \triangle mark found on some component parts indicates the importance of the safety factor of the part. Therefore, when replacing, be sure to use parts of identical designation.
 - Screws adjacent to ∇ mark on product are used for disassembly.
 - For the applying amount of lubricants or glue, follow the instructions in this manual. (In the case of no amount instructions, apply as you think it appropriate.)

9.1 PACKING SECTION



(1) PACKING SECTION PARTS LIST

<u>Mark No.</u>	<u>Description</u>	<u>Part No.</u>
	1 USB Cable	DDE1128
A	⚠ 2 Power Cord	See Contrast table (2)
NSP	3 CD ROM Assy/DVS	DXX2734
	4 Operating Instructions (Quick Start Guide)	See Contrast table (2)
	5 Operating Instructions (Quick Start Guide)	See Contrast table (2)
	6 Operating Instructions (Quick Start Guide)	See Contrast table (2)
NSP	7 Polyethylene Bag	AHG7117
B	8 Packing Pad	DHA1929
	9 Packing Pad	DHA1930
	10 Packing Board	DHB1002
	11 Sheet	RHX1006
	12 Packing Case	See Contrast table (2)
NSP	13 Leaflet/FPC	DRM1393
NSP	14 Warranty Card	See Contrast table (2)

C

(2) CONTRAST TABLE

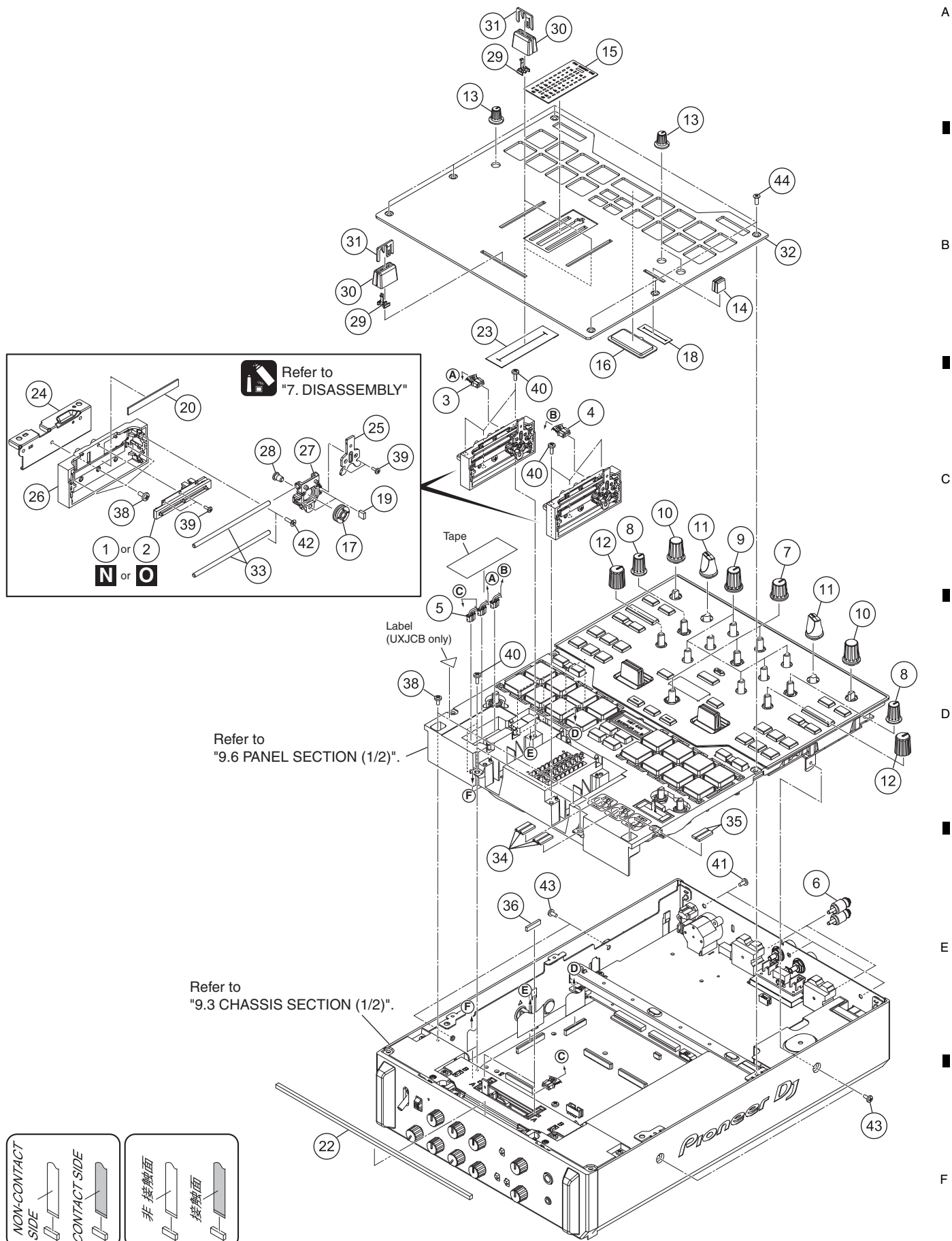
DJM-S9/LSYXJ, DJM-S9/UXJCB, DJM-S9-N/LSYXJ and DJM-S9-N/UXJCB are constructed the same except for the following:

Mark	No.	Symbol and Description	DJM-S9 /LSYXJ	DJM-S9 /UXJCB	DJM-S9-N /LSYXJ	DJM-S9-N /UXJCB
A	⚠ 2	Power Cord	ADG1244	DDG1108	ADG1244	DDG1108
	4	Operating Instructions (Quick Start Guide) (En, Fr, De, It)	DRH1334	Not used	DRH1334	Not used
	5	Operating Instructions (Quick Start Guide) (NI, Es, Pt, Rs)	DRH1335	Not used	DRH1335	Not used
	6	Operating Instructions (Quick Start Guide) (En)	Not used	DRH1336	Not used	DRH1336
D	12	Packing Case	DHG3420	DHG3421	DHG3435	DHG3436
NSP	14	Warranty Card	ARY7158	Not used	ARY7158	Not used

E

F

9.2 EXTERIOR and CH FADER SECTION



(1) EXTERIOR and CH FADER SECTION PARTS LIST

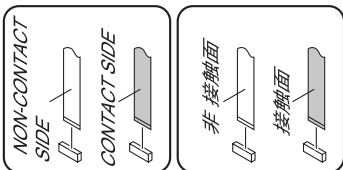
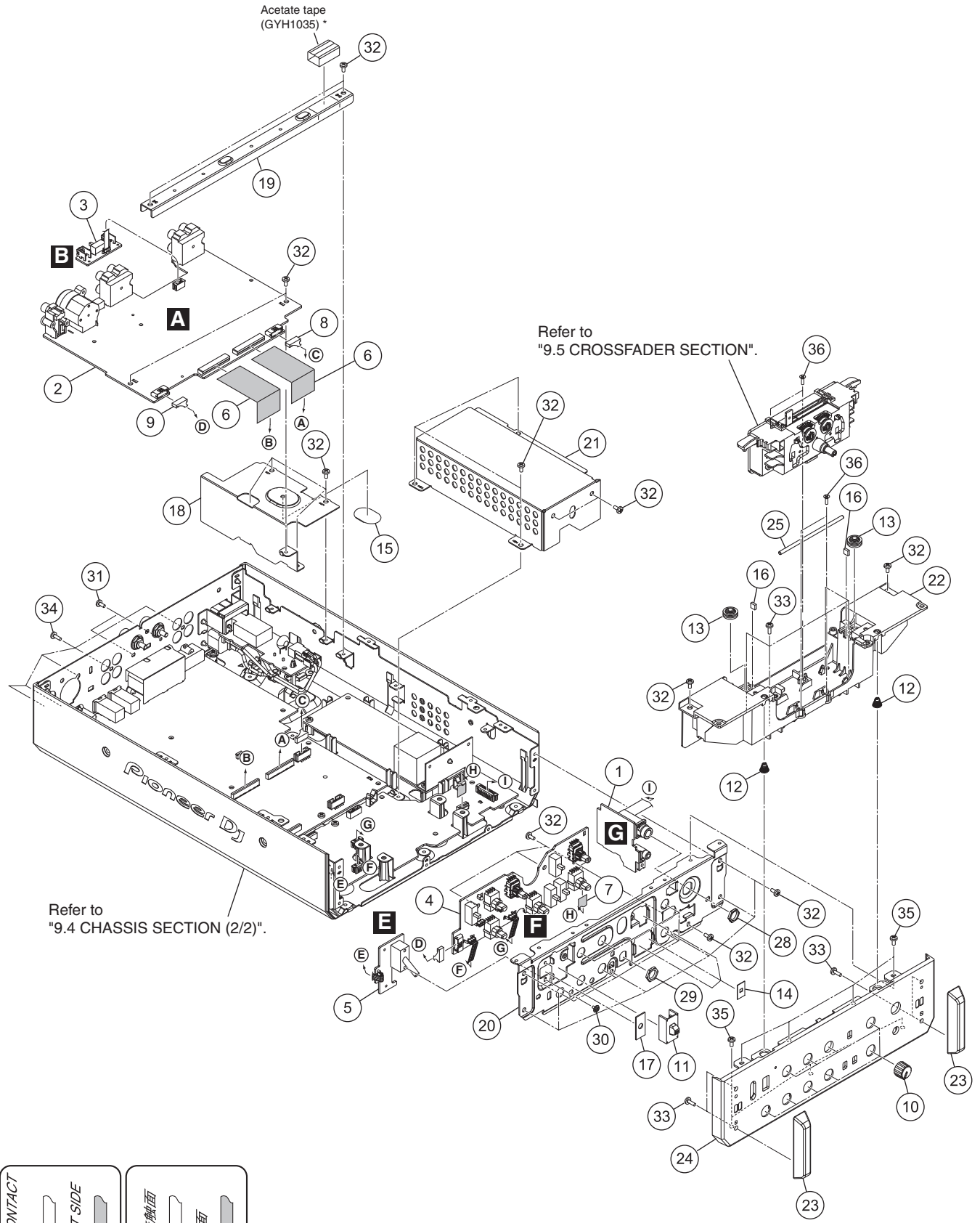
<u>Mark No.</u>	<u>Description</u>	<u>Part No.</u>	<u>Mark No.</u>	<u>Description</u>	<u>Part No.</u>
A	1 CH1FD Assy	DWX3689	26	Holder	DNK6425
	2 CH2FD Assy	DWX3690	27	Slider	DNK6426
	3 Connector Assy	PF03PP2B07	28	Brake	DNK6427
	4 Connector Assy	PF03PP-B17	29	Stopper	DNK6440
	5 Connector Assy	PF04PP-B12	30	Knob	See Contrast table (2)
	6 Plug/Pin	DKM1024	31	Slider Knob 2	See Contrast table (2)
	7 Rotary SW Knob (MA)	DAA1198	32	Panel	See Contrast table (2)
	8 Rotary SW Knob S (C)	DAA1204	33	Guide Bar	VLL1514
	9 Knob/RSW	DAA1305	34	Fader Bumper A	GNK1010
	10 Knob	DAA1344	35	Fader Bumper B	DEC3596
B	11 Knob	DAA1345	36	Fader Bumper C	DEC3605
	12 Knob/CL	See Contrast table (2)	37	
	13 Knob	DAA1346	38	Screw	BBZ30P060FTC
	14 Knob	DAC3088	39	Screw	BPZ20P050FTC
	15 Plate	DAH3033	40	Screw	BPZ30P080FNI
	16 Window	DAH3034	41	Screw	BSZ30P060FTB
	17 Damper	DEB2032	42	Screw	CPZ26P080FTC
	18 Fader Packing (B)	DEC2572	43	Screw	IBZ30P080FTB
NSP	19 Cushion	DEC3356	44	Screw	See Contrast table (2)
C	20 Felt	DEC3603			
	21				
	22 Cushion	DEC3639			
	23 Packing	DEC3642			
	24 Stay	DNF1942			
	25 Lever	DNH3211			

(2) CONTRAST TABLE

DJM-S9/LSYXJ, DJM-S9/UXJCB, DJM-S9-N/LSYXJ and DJM-S9-N/UXJCB are constructed the same except for the following:

<u>Mark</u>	<u>No.</u>	<u>Symbol and Description</u>	<u>DJM-S9 /LSYXJ</u>	<u>DJM-S9 /UXJCB</u>	<u>DJM-S9-N /LSYXJ</u>	<u>DJM-S9-N /UXJCB</u>
	12	Knob/CL	DAA1320	DAA1320	Not used	Not used
	12	Knob	Not used	Not used	DAA1350	DAA1350
	30	Knob	DAC3089	DAC3089	DAC3100	DAC3100
	31	Slider Knob 2	DAC2685	DAC2685	Not used	Not used
	31	Knob	Not used	Not used	DAC3164	DAC3164
	32	Panel	DNB1241	DNB1241	DEA1038	DEA1038
E	44	Screw	DBA1446	DBA1446	DBA1447	DBA1447

* This acetate tape is for protecting cables.
If it is peeled away, be sure to adhere new acetate tape.



(1) CHASSIS SECTION (1/2) SECTION PARTS LIST

	<u>Mark No.</u>	<u>Description</u>	<u>Part No.</u>	<u>Mark No.</u>	<u>Description</u>	<u>Part No.</u>
	1	HPJK Assy	DWX3686	21	Shield Case	DNF1946
A	2	INPUT Assy	DWX3683	⚠	22 Holder	DNK6429
	3	ATT Assy	DWX3682		23 Guard	DNK6441
	4	FRVR Assy	DWX3687	⚠	24 Panel	See Contrast table (2)
	5	MCSW Assy	DWX3688		25 Guide Bar	VLL1514
	6	FFC	DDD1701	26	
	7	FFC	DDD1702	27	
	8	Connector Assy	PF06PP-D05	28	Nut M12	DBN1018
	9	Shielded Conn-Cable	DDA1059	29	Nut	NK90FTC
	10	Knob	DAA1348	30	Screw	AMZ26P040FTC
B	11	Cap/MIC	DAC2773	31	Screw	BBZ30P060FTB
	12	Spring	DBH1810	32	Screw	BBZ30P060FTC
	13	Damper/SI	DEB2008	33	Screw	BPZ30P080FNI
	14	Slide SW Packing (B)	DEC2590	34	Screw	BPZ30P080FTB
⚠	15	Insulating Sheet	DEC3629	35	Screw	BSZ30P060FTB
	16	Cushion	DEC3640	36	Screw	CPZ26P080FTC
	17	SW Packing	DED1177			
	18	Shield Case	DNF1943			
	19	Stay	DNF1944			
C	20	Stay	DNF1945			

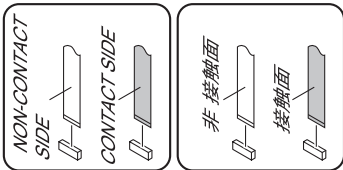
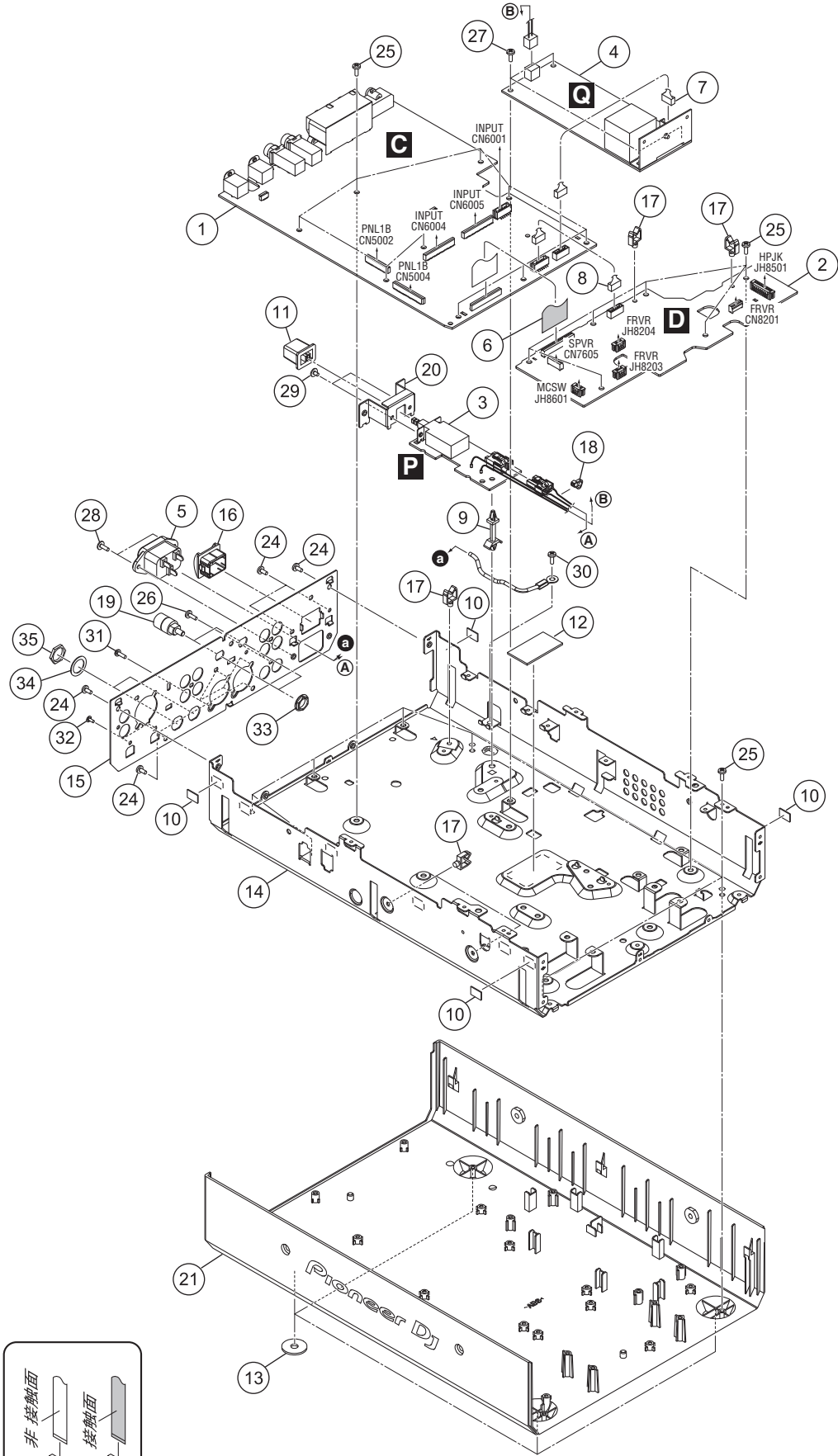
(2) CONTRAST TABLE

DJM-S9/LSYXJ, DJM-S9/UXJCB, DJM-S9-N/LSYXJ and DJM-S9-N/UXJCB are constructed the same except for the following:

Mark	No.	Symbol and Description	DJM-S9 /LSYXJ	DJM-S9 /UXJCB	DJM-S9-N /LSYXJ	DJM-S9-N /UXJCB
⚠	24	Panel	DXA2291	DXA2291	DXA2298	DXA2298

5 6 7 8

9.4 CHASSIS SECTION (2/2)



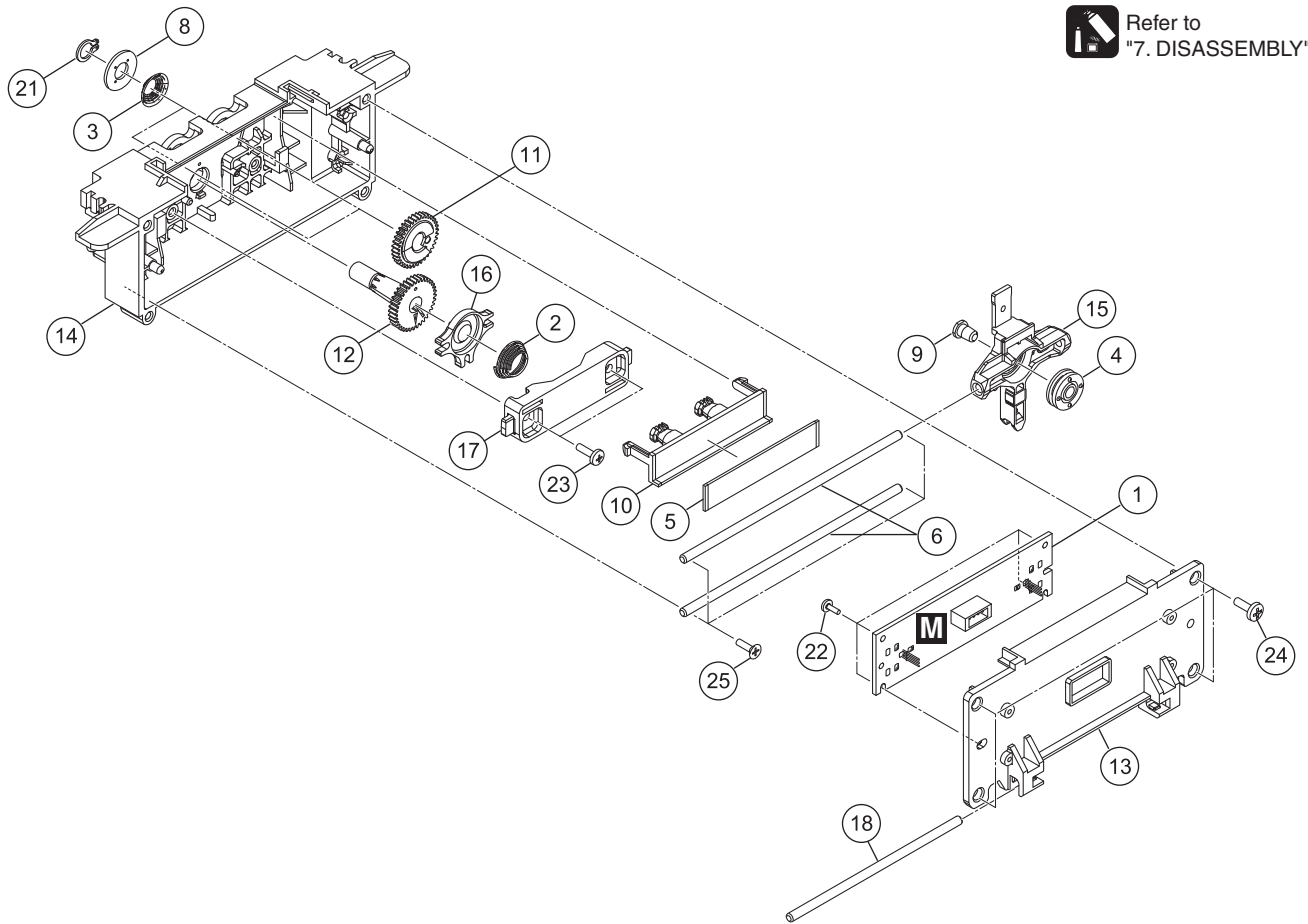
CHASSIS SECTION (2/2) SECTION PARTS LIST

<u>Mark No.</u>	<u>Description</u>	<u>Part No.</u>
A	1 MAIN Assy	DWX3673
	2 HPAMP Assy	DWX3684
	3 ACSW Assy	DWR1547
	⚠ 4 POWER SUPPLY Assy	DWR1463
	⚠ 5 AC Inlet	DKP3973
	6 FFC	DDD1701
	7 Crimp Connector	DDC1023
	8 Connector Assy	PF06PP-D05
NSP	9 PCB Spacer	AEC1446
	10 Cushion 11x7	AED7092
B	11 Power Knob	DAC2306
	12 Heat Cond Sheet	DEB2026
	13 Cushion	DEC3177
NSP	14 Chassis	DNA1456
	15 Rear Panel	DNC2118
	16 Power Knob Guard	DNK4534
	17 Holder	VEC1355
	18 Binder	ZCA-SKB90BK
	19 Earth Terminal	DKE1019
C	20 Bracket PSW	DNF1759
	⚠ 21 Chassis	DNK6442
	22	
	23	
	24 Screw	BBZ30P060FTB
	25 Screw	BPZ30P080FNI
	26 Screw	BPZ30P080FTB
	27 Screw	BPZ30P100FTB
	28 Screw	IBZ30P080FTB
D	29 Screw	IMZ30P040FTC
	30 Screw	PMH40P080FTC
	31 Screw	PPZ30P080FTB
	32 Screw (M3*5)	DBA1340
	33 Flange Nut M9	DBN1008
	34 Washer	DEC2920
	35 Nut (M12)	NKX2FNI

E

F

9.5 CROSSFADER SECTION



Refer to "7. DISASSEMBLY"

CROSSFADER SECTION PARTS LIST

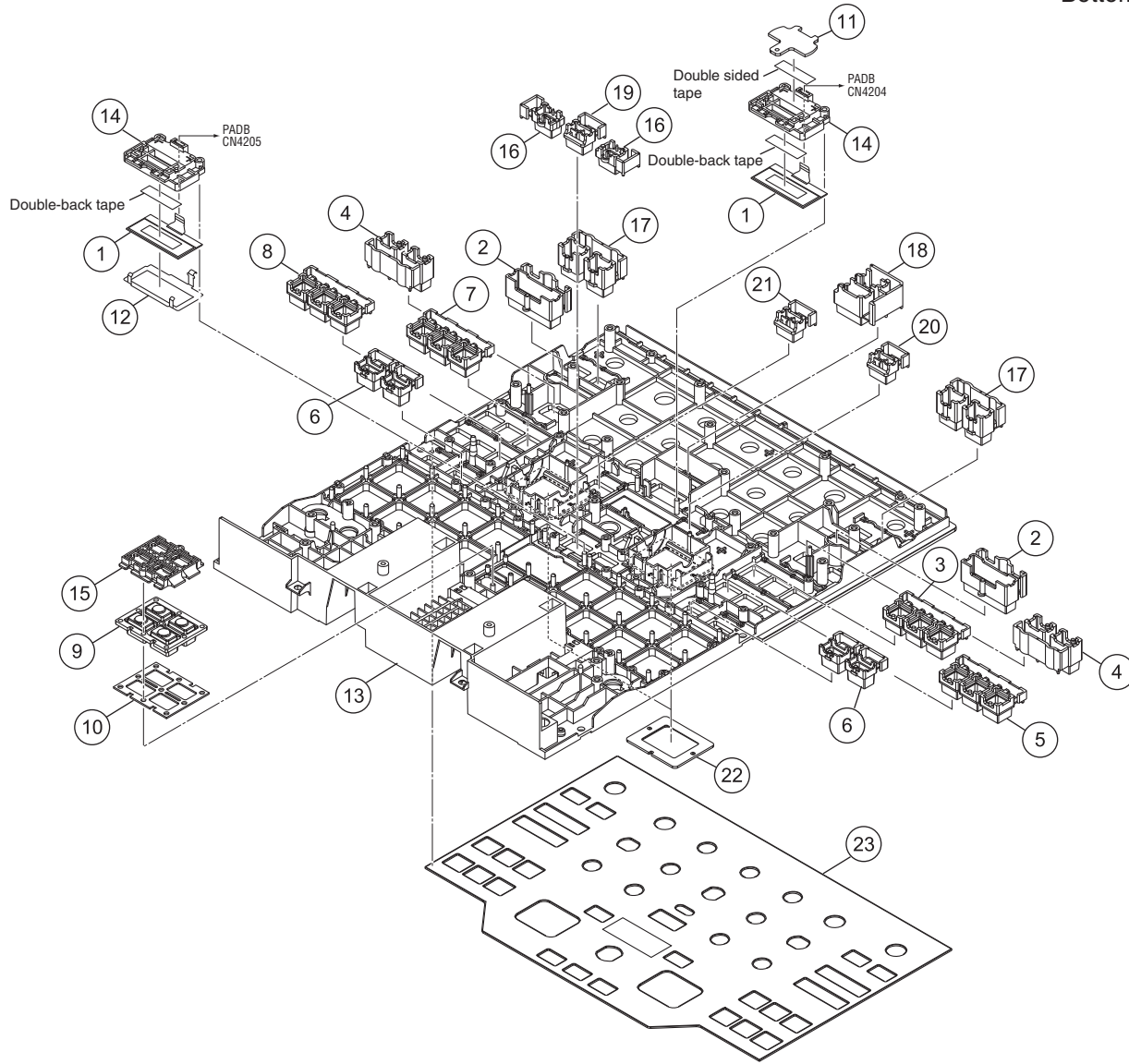
<u>Mark No.</u>	<u>Description</u>	<u>Part No.</u>	<u>Mark No.</u>	<u>Description</u>	<u>Part No.</u>
1	CRFD Assy	DWX3678	16	Brake	DNK6445
2	Spring/TRQ	DBH1792	17	Plate	DNK6446
3	Spring	DBH1809	18	Guide Bar	VLL1514
4	Damper	DEB2032	19	
5	Felt	DEC3597	20	
6	Shaft	DLA2240	21	Washer	YC60FAC
7		22	Screw	BPZ20P050FTC
8	Bush (MA)	DNK5086	23	Screw	BPZ26P080FTC
9	Brake	DNK6427	24	Screw	BPZ30P080FNI
10	Brake	DNK6428	25	Screw	CPZ26P080FTC
11	Gear	DNK6430			
12	Gear	DNK6431			
13	Holder	DNK6432			
14	Holder	DNK6433			
15	Slider	DEA1037			

PANEL SECTION (1/2) SECTION PARTS LIST

<u>Mark No.</u>	<u>Description</u>	<u>Part No.</u>	
1	PADB Assy	DWX3675	
2	LVMT Assy	DWX3679	A
3	PNL1B Assy	DWX3685	
4	HPFD Assy	DWX3680	
5	SPVR Assy	DWX3681	
6	FFC/21P	DDD1655	
7	FFC	DDD1698	
8	FFC	DDD1699	
9	FFC	DDD1700	
10	FFC	DDD1701	
11	FFC	DDD1724	B
12	Lever	DAC3081	
13	Lever Spring	DBH1702	
14	Button	DEB2014	
15	Sheet	DEC3593	
16	Sheet	DEC3600	
17	Spacer	DEC3601	
18	Sheet	DEC3635	
19	I-Shield Sheet	DEC3644	
20	Stay	DNH3212	C
21	Stay	DNH3213	
22	Stay	DNH3214	
23	Lever Cap	DNK5344	
24	Holder	DNK6435	
25		
26		
27	Screw	BPZ26P080FTC	
28	Screw	BPZ30P080FNI	D

9.7 PANEL SECTION (2/2)

• Bottom view



5 6 7 8

PANEL SECTION (2/2) SECTION PARTS LIST

<u>Mark No.</u>	<u>Description</u>	<u>Part No.</u>	<u>Mark No.</u>	<u>Description</u>	<u>Part No.</u>
1	Matrix OEL	MXS4057	16	Button	DXA2289
2	Button	DAC3082	17	Button	See Contrast table (2)
3	Button	DAC3084	18	Button	See Contrast table (2)
4	Button	DAC3090	19	Button	See Contrast table (2)
5	Button	DAC3093	20	Button	See Contrast table (2)
6	Button	DAC3094	21	Button	See Contrast table (2)
7	Button	DAC3095	22	Panel	See Contrast table (2)
8	Button	DAC3096	23	Panel	See Contrast table (2)
9	Button	DEB2015			
10	Sheet	DEC3604			
11	Spacer	DEC3641			
12	Shield Plate	DNF1969			
⚠ 13	Panel	DNK6438			
14	Holder	DNK6439			
15	Holder	DNK6443			

(2) CONTRAST TABLE

DJM-S9/LSYXJ, DJM-S9/UXJCB, DJM-S9-N/LSYXJ and DJM-S9-N/UXJCB are constructed the same except for the following:

<u>Mark</u>	<u>No.</u>	<u>Symbol and Description</u>	<u>DJM-S9 /LSYXJ</u>	<u>DJM-S9 /UXJCB</u>	<u>DJM-S9-N /LSYXJ</u>	<u>DJM-S9-N /UXJCB</u>
	17	Button	DAC3085	DAC3085	DAC3101	DAC3101
	18	Button	DXA2288	DXA2288	DXA2290	DXA2290
	19	Button	DAC3087	DAC3087	DAC3102	DAC3102
	20	Button	DAC3091	DAC3091	DAC3103	DAC3103
	21	Button	DAC3092	DAC3092	DAC3104	DAC3104
	22	Panel	DNK6436	DNK6436	DNK6457	DNK6457
	23	Panel	DNK6437	DNK6437	DNK6459*	DNK6459*

*The serial number is not printed on this part for service.

DJM-S9

5 6 7 8

67