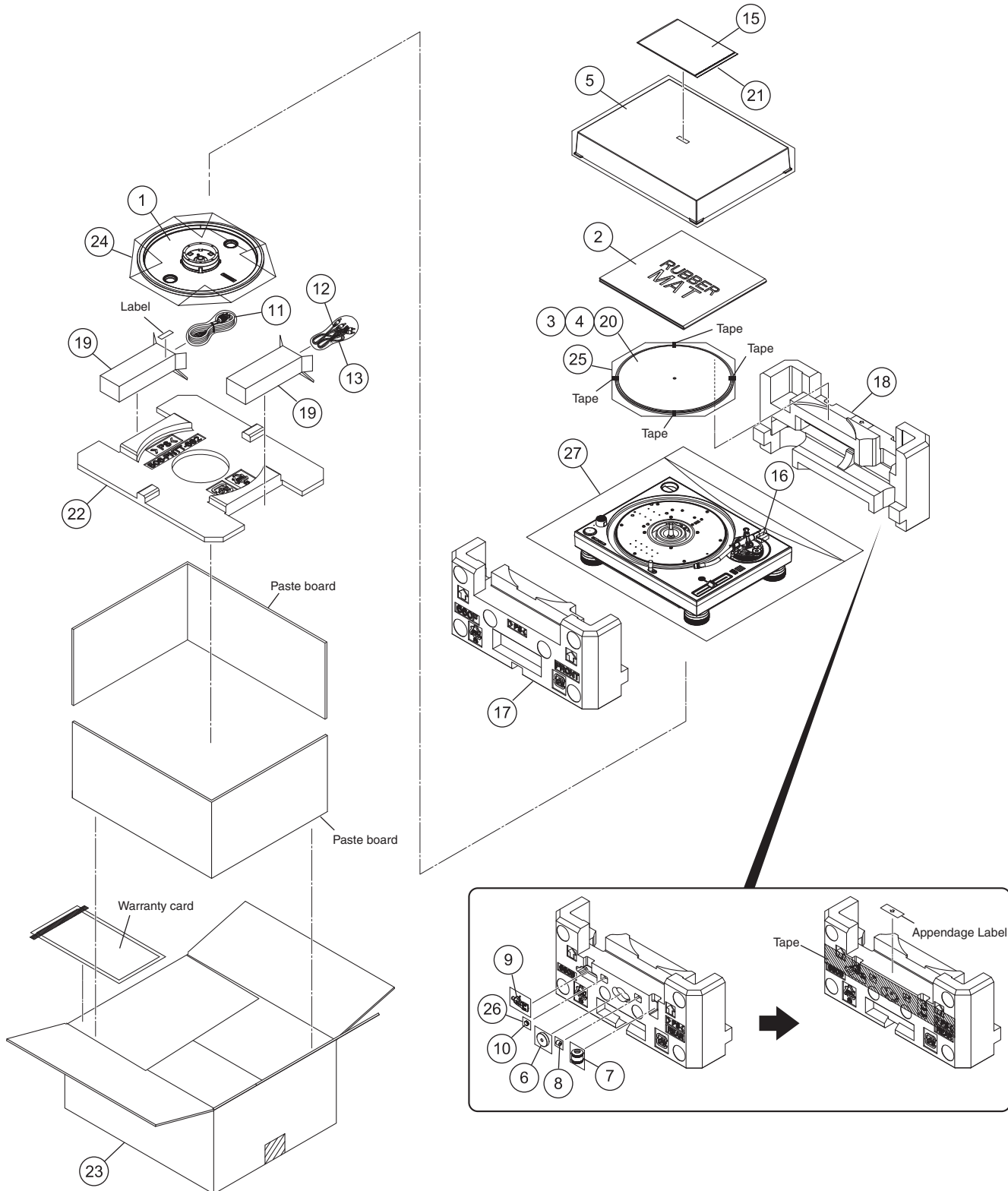


# 9. EXPLODED VIEWS AND PARTS LIST

NOTES: ● Parts marked by "NSP" are generally unavailable because they are not in our Master Spare Parts List.

- The  $\triangle$  mark found on some component parts indicates the importance of the safety factor of the part. Therefore, when replacing, be sure to use parts of identical designation.
- Screws adjacent to  $\nabla$  mark on product are used for disassembly.
- For the applying amount of lubricants or glue, follow the instructions in this manual. (In the case of no amount instructions, apply as you think it appropriate.)

## 9.1 PACKING SECTION



**(1) PACKING SECTION PARTS LIST**

<b>Mark No.</b>	<b>Description</b>	<b>Part No.</b>
1	Turntable	702-PNTT-075
2	Turntable Sheet	705-DJ1900-078
3	Slip Mat	612-PNTT-095
4	Slip Sheet	505-PNTT-248
5	Dust Cover	705-PLX1000-1583
6	Adapter for EP Record	200-PNTT-211A
7	Balance Weight	702-PNTT-076
8	Sub Weight	200-PNTT-693
9	Headshell	703-PNTT-1411
10	Shell Weight	200-ST100-268
⚠	11 Power Cord	See Contrast table (2)
	12 Audio Cable (L=150)	408-PLX-140
	13 Ground Wire (L=150)	406-PLX-1288
	14 •••••	
	15 Operating Instructions	See Contrast table (2)
	16 Cushion for Tone Arm	612-ST150-159
	17 Polyfoam F	506-PNTT-660F
	18 Polyfoam B	506-PNTT-660B
	19 Box	507-PNTT-3470
	20 Spacer	507-PNTT-3467
	21 PE Bag	505-DJM250-014
	22 Polyfoam	506-PNTT-662
	23 Gift Box	See Contrast table (2)
	24 Polybag for Turntable	505-DJ2500H-001
	25 Bag	505-PNTT-247
	26 Polybag (PE, 35*50 mm)	505-S15-117
	27 Soft Bag	509-PNTT-332

**(2) CONTRAST TABLE**

PLX-1000/LPSYXE8 and FUXECB are constructed the same except for the following:

<b>Mark</b>	<b>No.</b>	<b>Symbol and Description</b>	<b>PLX-1000 /LPSYXE8</b>	<b>PLX-1000 /FUXECB</b>
⚠	11	Power Cord	409-HDJ7100-055D-HA	409-HDJ7100-054D-HA
	15	Operating Instructions (En)	502-PX1000B-3366	Not used
	15	Operating Instructions (Zhtw)	Not used	502-PX1000A-3365
	23	Gift Box	507-PNTTB-3469	507-PNTT-3469

# 9.2 EXTERIOR SECTION

1

2

3

4

A

Slip mat  
(accessory)

Headshell  
(accessory)

43

Turntable sheet  
(accessory)

12  
27  
23

Dust cover  
(accessory)

B

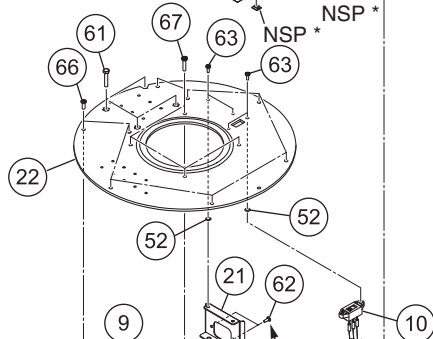
Slip sheet  
(accessory)

NSP \*

**NSP\*:**  
These parts are supplied as a part included  
in 44 (Chassis Packing Assy).

C

Turntable  
(accessory)



**Note:**  
The service parts are supplied in Assy.  
Each component is not supplied (NSP).

**Note:**  
The service parts are supplied in Assy.  
Each component is not supplied (NSP).

Adhesive  
GYL1001

Adhesive  
GYL1001

Adhesive  
GYL1001

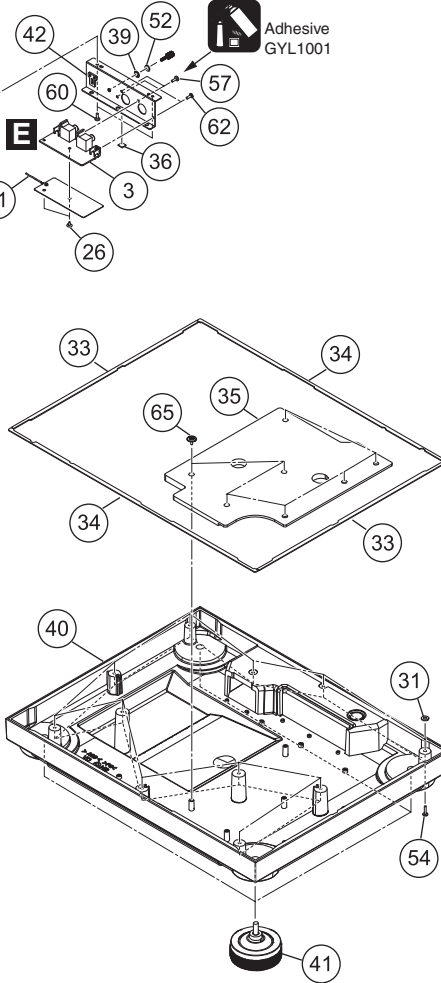
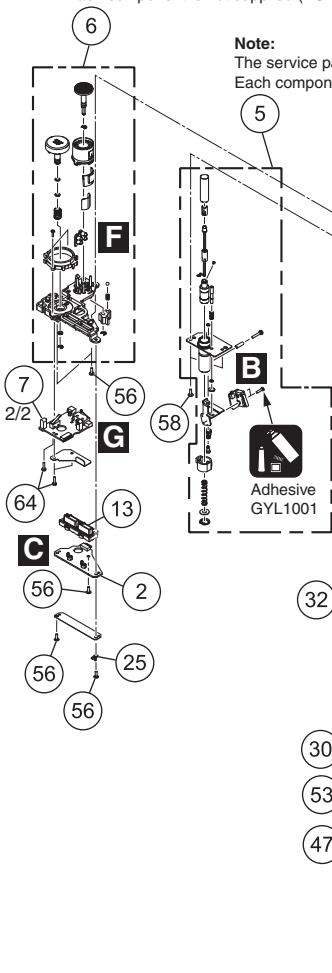
**Note:**  
The D.D. motor is impossible  
of the resolution.

Adhesive  
GYL1001

D

E

F



1

2

3

4

## EXTERIOR SECTION PARTS LIST

<u>Mark No.</u>	<u>Description</u>	<u>Part No.</u>	<u>Mark No.</u>	<u>Description</u>	<u>Part No.</u>	
1	MAIN PCB Assy	704-PLX-A787	46	•••••		
2	SPEED PCB Assy	704-PLX-A790	47	Nut (4 mm, P=0.7 ISO)	601-F200-001	A
3	PHONO PCB Assy	704-PLX-A791	48	Washer (5.5*3*0.7 mm)	606-B300-039	
4	D.D. MOTOR Assy	704-PLX-A800	49	Washer Spring (7*4*1T)	606-DJ3000-102	
5	SEARCHLIGHT Assy	704-PLX-A802	50	Washer 4.36*8.26*0.9	606-NCDS700-123-HA	
6	STROBOSCOPE Assy	704-PLX-A803	51	Washer (10.5*3.2*1.6T)	606-PNTT-271	
⚠	7 AC&PLAY PCB Assy	704-PLX-A863	52	Washer (8*3.2*1T, NI)	606-Q2221-122-HA	
⚠	8 Transformer	411-PLX-912	53	Washer (16*4.1*1.2T)	606-ST150-157	
⚠	9 AC Socket Assy	704-PLX-A795	54	Screw (SAE1018, BTB, 3*)	602-BTB0311-765B	
⚠	10 Voltage SW Assy	704-PLX-A796	55	Screw (4*8)	602-BTB408-751C	
11	1P Ground Wire (L=110)	406-HV3500K-415A	56	Screw (BTS, 3*8)	602-BTS308-724B-HA	B
12	Shield Wire Assy	407-1410FR-097	57	Screw (TTP, 3*8, ZB)	602-DJ5500-452	
13	33/45 Knob	100-PNTT-3093	58	Screw (TTB DIA3*8)	602-DM3000-270	
14	TEMPO Reset Button	100-PNTT-3094	59	Screw (TTB, 3*L10)	602-HP1010K-174	
15	TEMPO Range Button	100-PNTT-3095	60	Screw (3*L8)	602-HP1010K-175-HA	
16	SPEED Button	100-PNTT-3096	61	Screw (M4*26, Black)	602-ISOM4026-752B	
17	Shell Stand	100-PNTT-3100	62	Screw	602-ISO308-735B	
18	Button Base	100-PNTT-3113	63	Screw (3*8)	602-XM610-526-HA	
19	Cover for Transformer	200-PNTT-737	64	Screw	602-MK8-604	
20	Transformer Bottom Cover	300-PNTT-2126	65	Screw (M3*7 TTP)	602-SL24F-096	C
21	Fixed Plate	300-PNTT-2134	66	Screw (TTB 4*10)	602-XM610-517	
22	Fixed Plate	300-PNTT-2135	67	Screw (M4*18, Spring W)	602-ST150-432	
23	Tone Arm Base	300-PNTT-2139	68	Screw (TTB, 3*25)	602-ST150-439	
24	Adhesive Mount	504-HDJ7000-032				
25	Locking Cable Clip	504-HV3500K-033				
26	Canoe Clip (MB-1, White)	504-PLX-301				
27	Protected Ring (SB-10)	504-PLX-307				
28	Cable Tie	504-S100-004-HA				
29	Bush 1	604-BUSH1-653				D
30	Bush 2	604-BUSH2-654				
31	Rubber for Bottom Base	604-DJ5500-262				
32	Pipe	604-PIPE-650				
33	Side Rubber	604-PNTT-638				
34	Long Rubber	604-PNTT-639				
35	Rubber	604-PNTT-648				
36	Rear Rubber	604-PNTT-649				
37	•••••					
38	Spring (7*4.3*1T)	606-STR830-141				E
39	Tooth Washer	606-TST4-240				
40	Bottom Base Assy	701-PNTT-5359				
41	Foot Assy	701-PNTT-5415				
42	Back Board Assy	703-PNTT-1408				
43	Tone Arm Assy	704-PNTT-B013				
44	Chassis Packing Assy	705-PNTT-1586				
45	•••••					F