

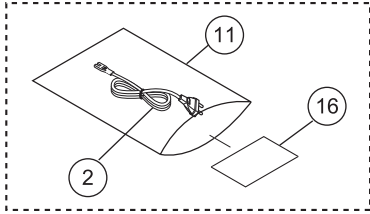
9. EXPLODED VIEWS AND PARTS LIST

NOTES: ● Parts marked by "NSP" are generally unavailable because they are not in our Master Spare Parts List.

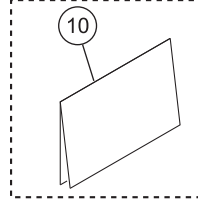
- The \triangle mark found on some component parts indicates the importance of the safety factor of the part. Therefore, when replacing, be sure to use parts of identical designation.
- Screws adjacent to ∇ mark on product are used for disassembly.
- For the applying amount of lubricants or glue, follow the instructions in this manual. (In the case of no amount instructions, apply as you think it appropriate.)

9.1 PACKING SECTION

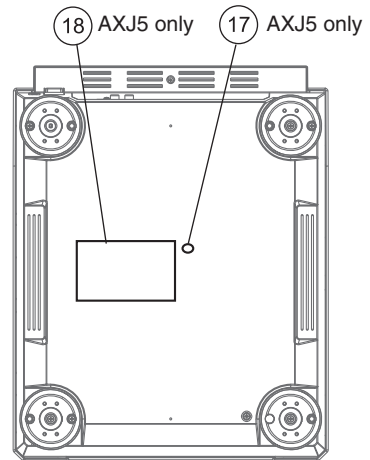
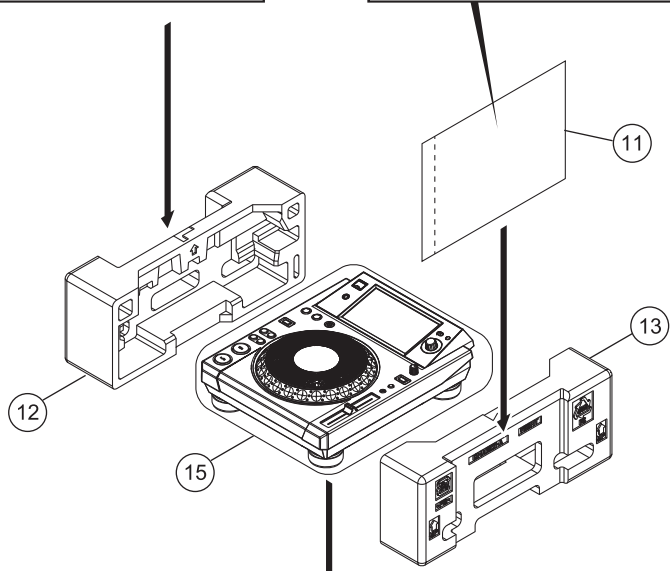
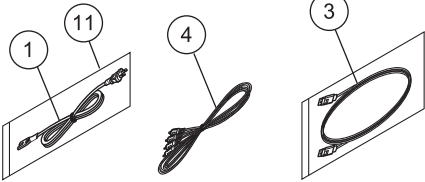
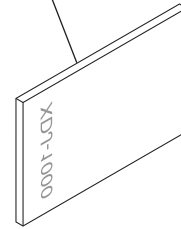
FLXJ only



SYXJ8 only



5 or 6 or 7 or 8



● Bottom view

(1) PACKING SECTION PARTS LIST

Mark No.	Description	Part No.
⚠ 1	Power cord	See Contrast table (2)
⚠ 2	Power cord	See Contrast table (2)
3	LAN cable	DDE1141
5	Audio cable	XDE3045
5	Operating Instructions (Quick Start Guide)	See Contrast table (2)
6	Operating Instructions (Quick Start Guide)	See Contrast table (2)
7	Operating Instructions (Quick Start Guide)	See Contrast table (2)
8	Operating Instructions (Quick Start Guide)	See Contrast table (2)
NSP 9	Leaflet	See Contrast table (2)
NSP 10	Warranty	See Contrast table (2)
NSP 11	Polyethylene Bag	AHG7117
12	Pad/L	DHA1920
13	Pad/R	DHA1921
14	Packing Case	See Contrast table (2)
15	Packing Sheet	RHC1023
16	Caution Card SB	See Contrast table (2)
NSP 17	CCC S Label	See Contrast table (2)
NSP 18	Name Label	See Contrast table (2)

(2) CONTRAST TABLE

XDJ-1000/SYXJ8, UXJCB, FLXJ and AXJ5 are constructed the same except for the following:

Mark	No.	Symbol and Description	XDJ-1000 /SYXJ8	XDJ-1000 /UXJCB	XDJ-1000 /FLXJ	XDJ-1000 /AXJ5
⚠	1	Power cord	ADG1154	ADG7022	ADG1154	ADG7079
⚠	2	Power cord	Not used	Not used	ADG7097	Not used
	5	Operating Instructions (Quick Start Guide) (En, Fr, De, It, NI, Es, Pt, Ru)	DRH1278	Not used	Not used	Not used
	6	Operating Instructions (Quick Start Guide) (En)	Not used	DRH1277	Not used	Not used
	7	Operating Instructions (Quick Start Guide) (En, Es, Zhtw)	Not used	Not used	DRH1279	Not used
	8	Operating Instructions (Quick Start Guide) (Zhcn)	Not used	Not used	Not used	DRH1280
NSP	9	Leaflet	DRH1275	DRH1275	DRH1275	DRH1274
NSP	10	Warranty	ARY7158	Not used	Not used	Not used
	14	Packing Case	DHG3378	DHG3377	DHG3379	DHG3381
	16	Caution Card SB	Not used	Not used	ARM7064	Not used
NSP	17	CCC S Label	Not used	Not used	Not used	DRW2310
NSP	18	Name Label	Not used	Not used	Not used	DAL1271

9.2 EXTERIOR SECTION

1 2 3 4

A

B

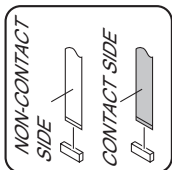
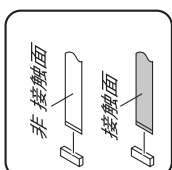
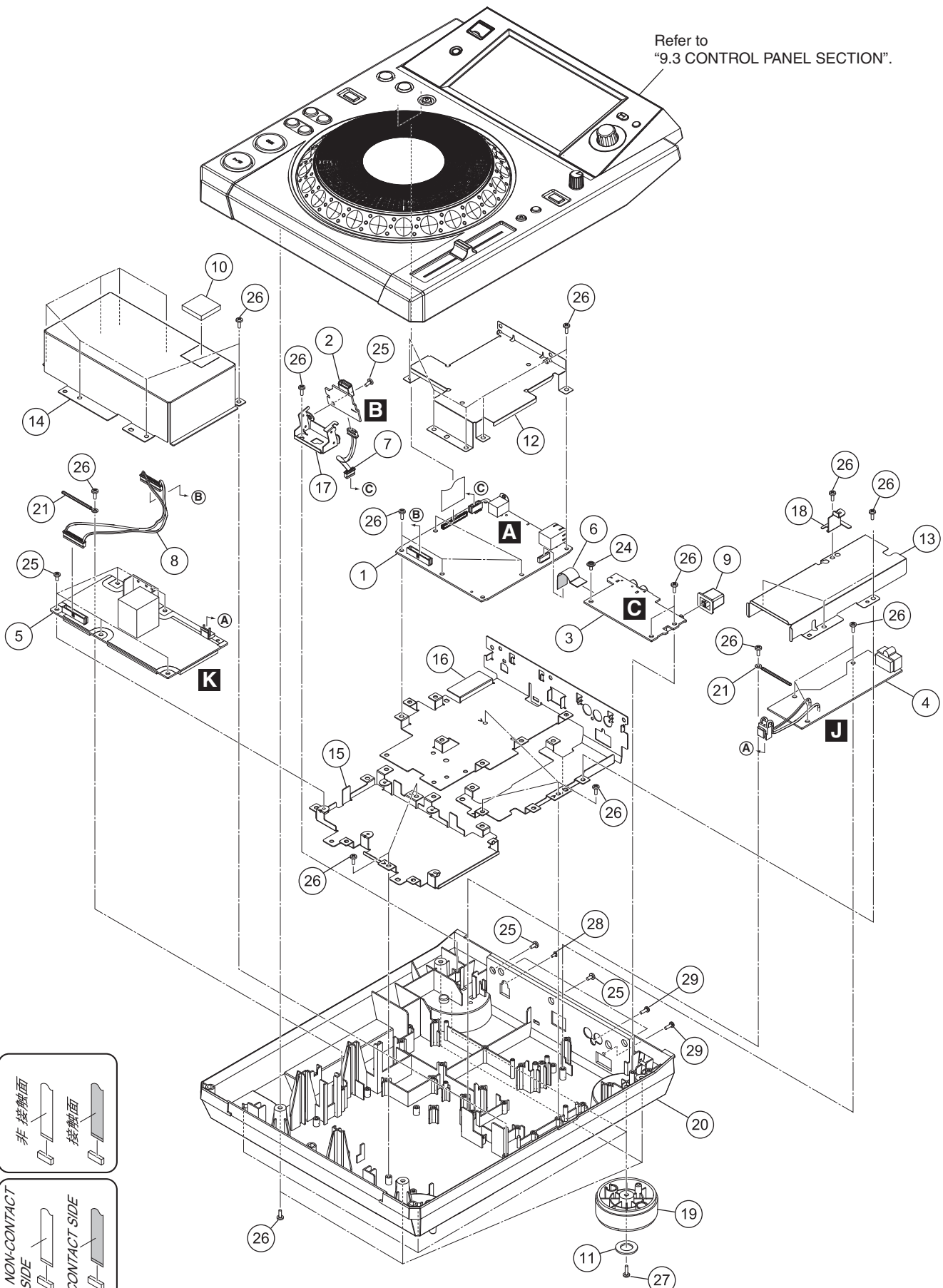
C

D

E

F

Refer to
"9.3 CONTROL PANEL SECTION".



1 2 3 4

EXTERIOR SECTION PARTS LIST

<u>Mark No.</u>	<u>Description</u>	<u>Part No.</u>	
1	MAIN Assy	DWX3600	
2	USBA Assy	DWX3607	A
3	JKSW Assy	DWX3612	
4	ACIN Assy	DWX3609	
⚠	5 SW POWER SUPPLY	DWR1545	
6	FFC	DDD1677	
7	Shielded Conn-Cable	DDA1049	
8	Crimp Connector	PF13PP-S20	
9	Power Knob	DAC2306	
10	Cushion/PNL	DEC3535	
11	Leg	DEC3564	B
12	Shield Case/MIN	DNH3170	
13	Shield Case/ACI	DNH3171	
14	Shield Case/PSA	DNH3175	
15	Stay/PSA	DNH3176	
16	Stay/PCB	DNH3177	
17	Stay/USB	DNH3178	
18	Plate/JCK	DNH3193	
19	Insulator	DNK6394	
⚠	20 Chassis	DNK6378	C
21	Cord Clamper (Steel)	RNH-184	
22	•••••		
23	•••••		
24	Screw	ABZ30P060FTC	
25	Screw	BBZ30P060FTB	
26	Screw	BPZ30P080FNI	
27	Screw	BPZ30P100FTC	
28	Screw (M3*5)	DBA1340	
29	Screw	PPZ30P080FTB	D

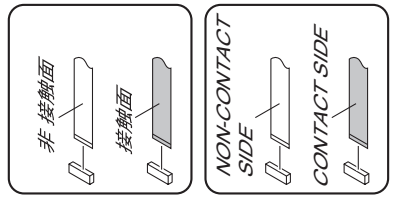
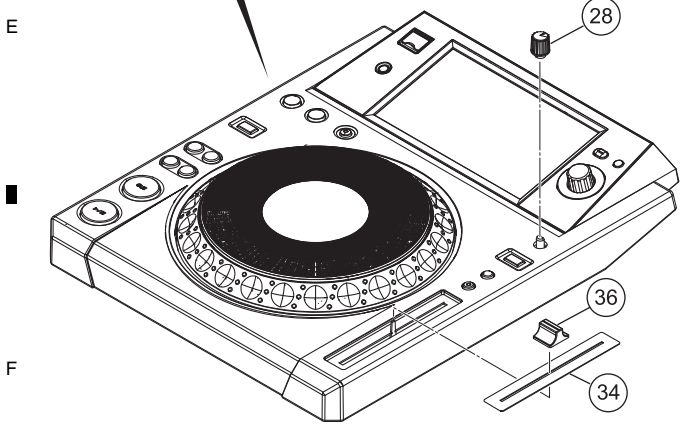
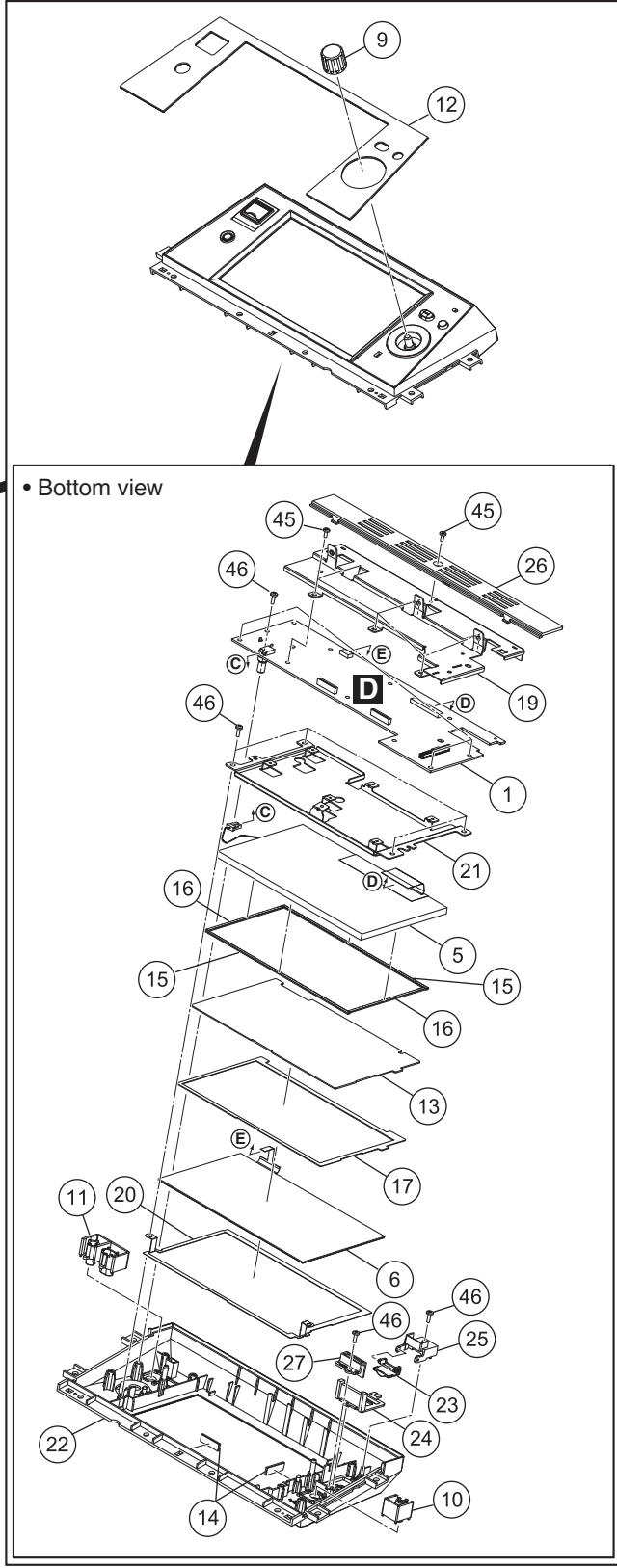
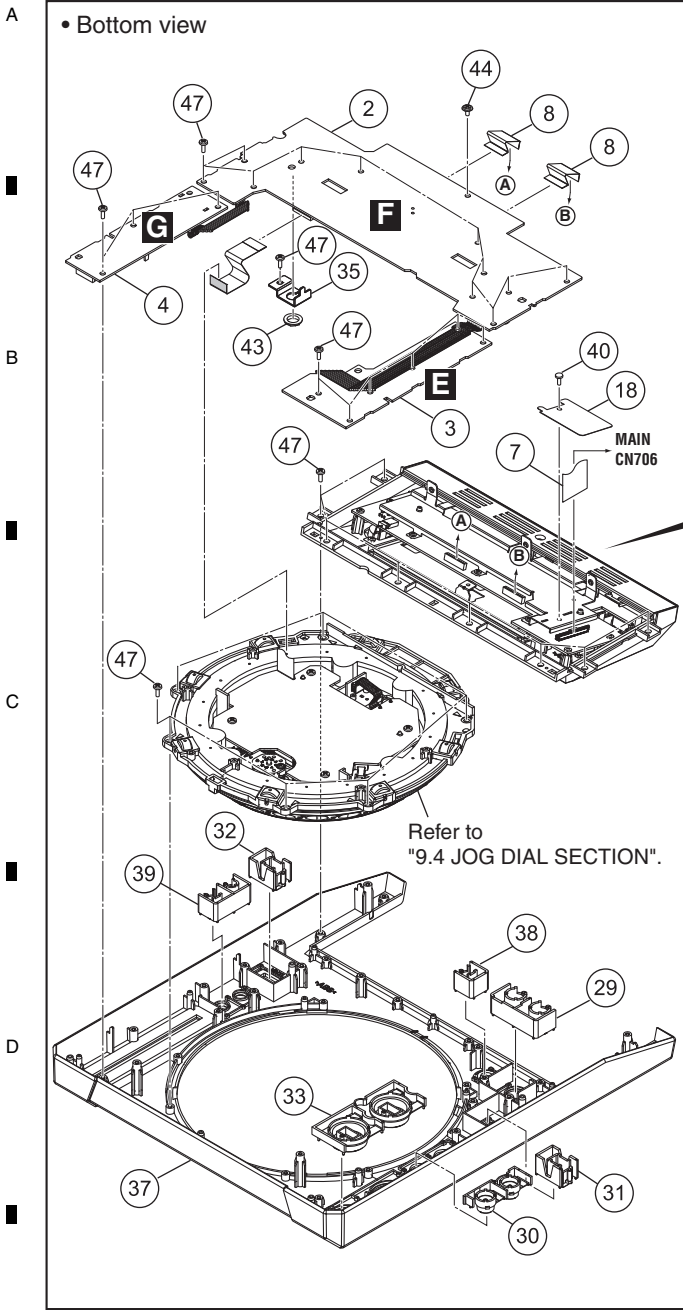
9.3 CONTROL PANEL SECTION

1

2

3

4



1

2

3

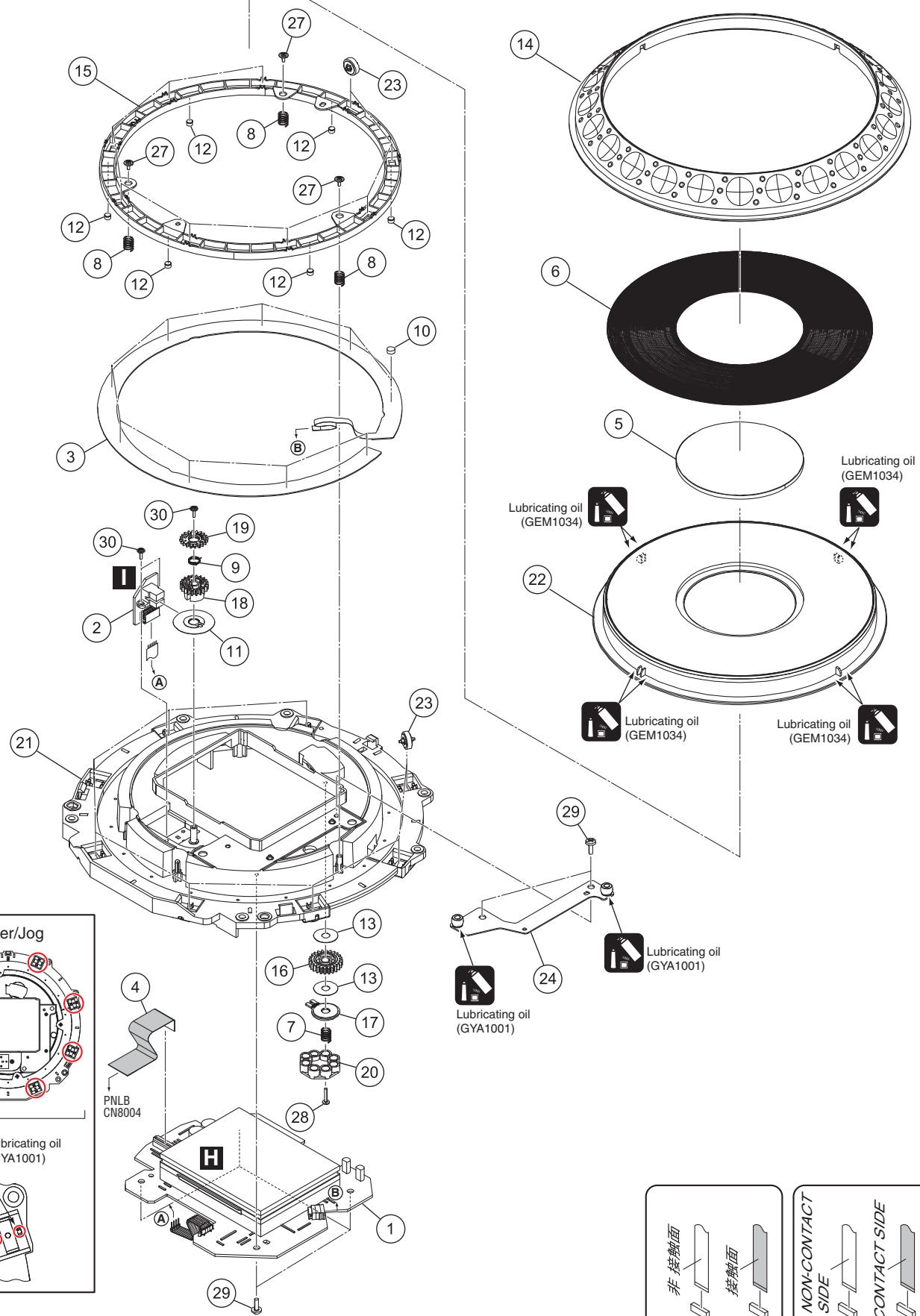
4

CONTROL PANEL SECTION PARTS LIST

<u>Mark No.</u>	<u>Description</u>	<u>Part No.</u>	
1	LCDB Assy	DWX3601	
2	PNLB Assy	DWX3603	A
3	KSWB Assy	DWX3604	
4	SLDB Assy	DWX3605	
5	TFT LCD	CWX4352	
6	Touch Panel	DSX1128	
7	FFC	DDD1675	
8	FFC	DDD1679	
9	Knob/BRS	DAA1342	
10	Button/USB	DAC3016	
11	Button/BAK	DAC3017	B
12	Panel/LCD	DAH3005	
13	Panel/TCP	DAH3006	
14	Packing/LCD	DEC3565	
15	Packing/L	DEC3568	
16	Packing/S	DEC3569	
17	Spacer/LCD	DEC3571	
18	Sheet/FFC	DEC3577	
19	Shield Case/LCD	DNH3172	
20	Plate/GND	DNH3173	C
21	Stay/LCD	DNH3179	
⚠ 22	Control Panel/LCD	DNK6377	
23	Door/USB	DNK6379	
24	Lens/USB	DNK6381	
25	Holder/DOR	DNK6383	
26	Cover/R	DNK6395	
27	Reflector	DNK6400	
28	Knob	DAA1303	
29	Button (LOOP)	DAC2470	D
30	Button	DAC3079	
31	Button/REV	DAC2938	
32	Button/VNL	DAC2939	
33	Button/PLY	DAC3004	
34	Slide Sheet 1C	DAH2404	
35	Stay/VR	DNF1928	
36	Knob/SLD	DNK5981	
⚠ 37	Control Panel	DNK6376	
38	Button Assy/RLP	DXB2162	E
39	Button Assy/TMP	DXB2163	
40	Rivet (Plastic)	RBM-003	
41	•••••		
42	•••••		
43	Flange Nut M9	DBN1008	
44	Screw	ABZ30P060FTC	
45	Screw	BBZ26P060FTB	
46	Screw	BPZ26P080FTC	F
47	Screw	BPZ30P080FNI	

9.4 JOG DIAL SECTION

A
B
C
D
E
F



JOG DIAL SECTION PARTS LIST

<u>Mark No.</u>	<u>Description</u>	<u>Part No.</u>	
1	JFLB Assy	DWX3610	
2	JOGB Assy	DWX3611	A
3	Sheet SW	DSX1078	
4	FFC	DDD1681	
5	Jog Panel	DAH2609	
6	Jog Plate	DAH2839	
7	Load Spring	DBH1680	
8	SW Spring	DBH1681	
9	Encoder Spring	DBH1710	
10	SW Cushion HH48/2	DEC2538	
11	Encoder Plate	DEC2889	B
12	Cushion/Rng	DEC3466	
13	Washer	DEC3137	
14	Jog B	DNK4068	
15	SW Ring	DNK5233	
16	Load Gear	DNK5236	
17	Smoother	DNK5237	
18	Gear A	DNK5241	
19	Gear B	DNK5242	
20	Adjust Plate	DNK5300	C
⚠ 21	Holder/Jog	DNK6265	
22	Jog Dial A	DNK5357	
23	Roller Assy/A	DXB2118	
24	Stay Assy/Jog	DXB2133	
25	•••••		
26	•••••		
27	Screw (FE)	DBA1265	
28	Screw	BPZ20P100FTC	
29	Screw	BPZ30P080FNI	D
30	Screw	IPZ20P060FTC	