

9. EXPLODED VIEWS AND PARTS LIST

NOTES: ● Parts marked by "NSP" are generally unavailable because they are not in our Master Spare Parts List.

- The \triangle mark found on some component parts indicates the importance of the safety factor of the part. Therefore, when replacing, be sure to use parts of identical designation.
- Screws adjacent to ∇ mark on product are used for disassembly.
- For the applying amount of lubricants or glue, follow the instructions in this manual. (In the case of no amount instructions, apply as you think it appropriate.)

9.1 PACKING SECTION

XDJ-1000/SYXJ8 and XDJ-1000MK2/LSYXJ, UXJCB and AXJ are constructed the same except for the following:

Mark	No.	Symbol and Description	XDJ-1000/ SYXJ8	XDJ-1000MK2/ LSYXJ	XDJ-1000MK2/ UXJCB	XDJ-1000MK2/ AXJ	Remarks
	5	Operating Instructions (Quick Start Guide) (En, Fr, De, It, NI, Es, Pt, Ru)	DRH1278	DRH1373	Not used	Not used	
	6	Operating Instructions (Quick Start Guide) (En)	Not used	Not used	DRH1372	Not used	
	8	Operating Instructions (Quick Start Guide) (Zhc)	Not used	Not used	Not used	DRH1375	
NSP	9	Leaflet	DRH1275	DRH1275	DRH1275	DRH1274	
NSP	10	Warranty	ARY7158	DRY1270	Not used	Not used	
	14	Packing Case	DHG3378	DHG3484	DHG3485	DHG3488	
	15	Packing Sheet	RHC1023	RHX1006	RHX1006	RHX1006	
NSP	17	CCC S Label	Not used	Not used	Not used	DRW2310	
NSP	18	Name Label	Not used	Not used	Not used	DAL1347	

EXTERIOR SECTION PARTS LIST

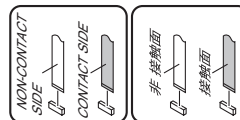
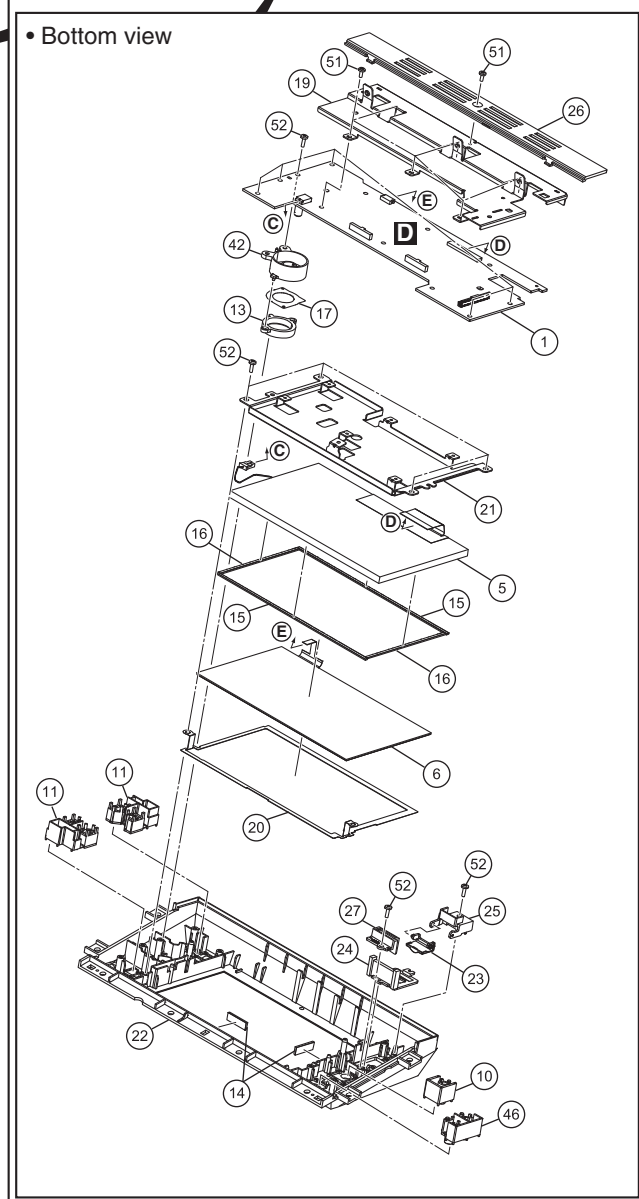
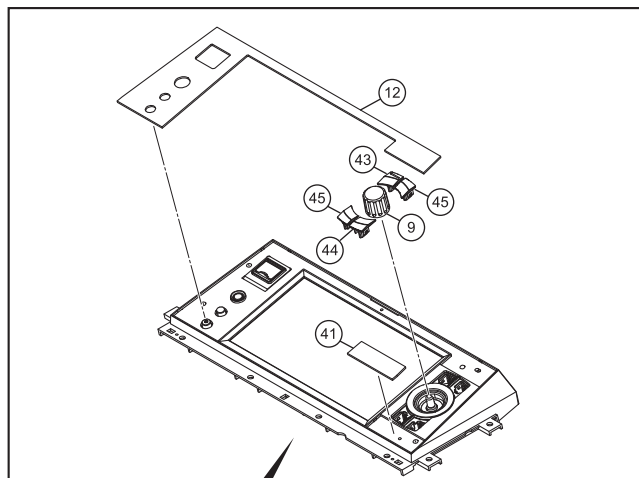
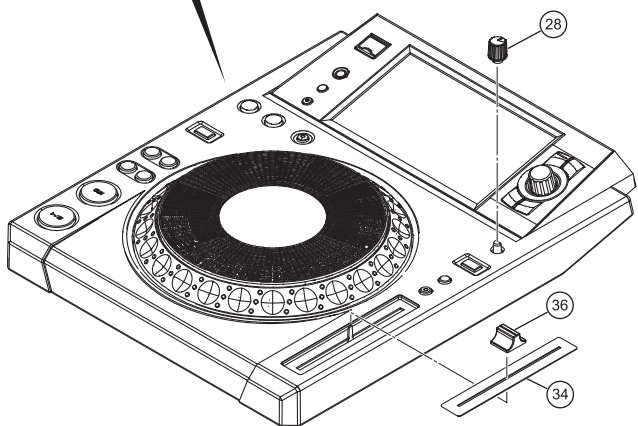
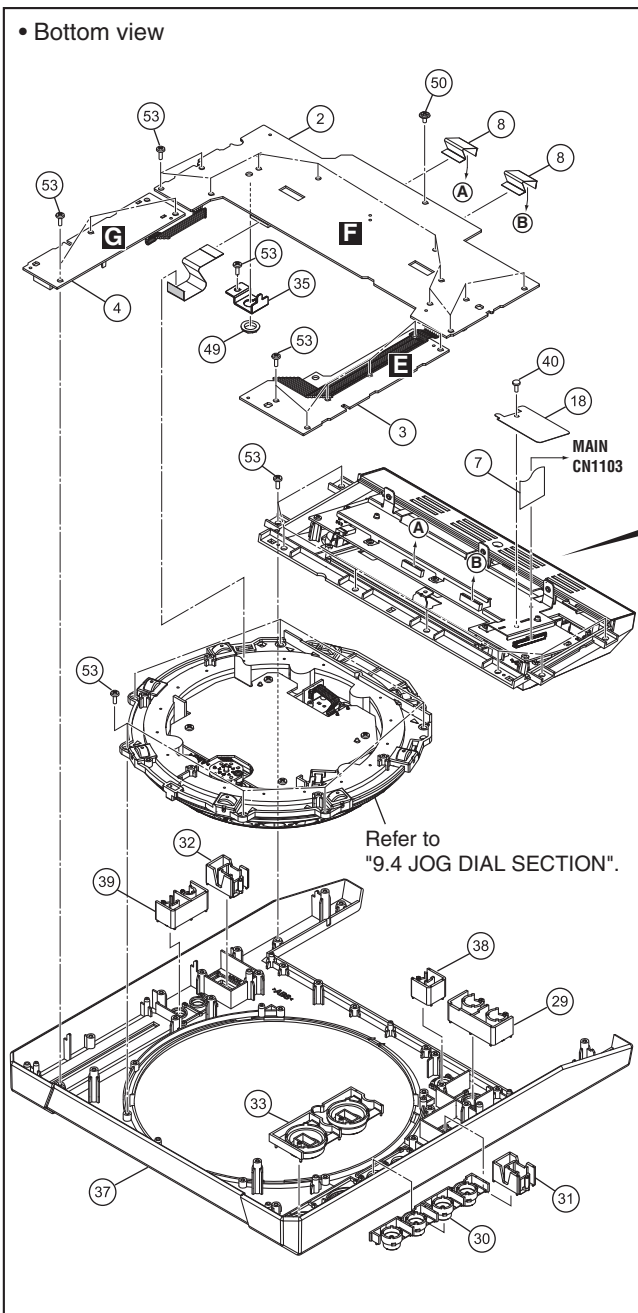
<u>Mark No.</u>	<u>Description</u>	<u>Part No.</u>
A	1 MAIN Assy	DWX3920
	2 USBA Assy	DWX3922
	3 ACIN Assy	DWX3926
	4 PSWB Assy	DWX3929
	5 UTMB Assy	DWX3930
	⚠ 6 SW POWER SUPPLY	DWR1548
	7 Shielded Conn-Cable	DDA1076
	8 Crimp Connector	DDC1024
	9 Connector Assy	PF03PP-B10
	10 Cushion/PNL	DEC3535
B	11 Leg	DEC3564
	⚠ 12 Sheet	DEC3723
	13 Spacer	AEC1065
	14 Power Knob	DAC2306
	15 Shield Case/ACI	DNH3171
	16 Stay/USB	DNH3178
	17 Shield Case	DNH3280
	18 Shield Case	DNH3281
	19 Stay	DNH3282
C	20 Stay	DNH3283
	21 Support	DNH3285
	22 Insulator	DNK6394
	⚠ 23 Chassis	DNK6648
	24 Holder	VEC1355
	25 •••••	
	26 •••••	
	27 •••••	
	28 Screw	BBZ30P060FTB
D	29 Screw	BPZ30P080FNI
	30 Screw	BPZ30P100FTC
	31 Screw (M3*5)	DBA1340
	32 Screw	PPZ30P080FTB
	33 Screw	ABZ30P060FTC

E

F

5 6 7 8

9.3 CONTROL PANEL SECTION



CONTROL PANEL SECTION PARTS LIST

	<u>Mark No.</u>	<u>Description</u>	<u>Part No.</u>	<u>Mark No.</u>	<u>Description</u>	<u>Part No.</u>
A	1	LCDB Assy	DWX3921	46	Button	DAC3246
	2	PNLB Assy	DWX3923	47	•••••	
	3	KSWB Assy	DWX3924	48	•••••	
	4	SLDB Assy	DWX3925	49	Flange Nut M9	DBN1008
	5	TFT LCD	CWX4352	50	Screw	ABZ30P060FTC
	6	Touch Panel	DSX1128	51	Screw	BBZ26P060FTB
	7	FFC	DDD1675	52	Screw	BPZ26P080FTC
	8	FFC	DDD1787	53	Screw	BPZ30P080FNI
	9	Knob	DAA1371			
	10	Button/USB	DAC3016			
B	11	Button	DAC3244			
	12	Plate	DAH3122			
	13	Lens	DNK6468			
	14	Packing/LCD	DEC3565			
	15	Packing/L	DEC3568			
	16	Packing/S	DEC3569			
	17	Light-D Sheet	DEC3613			
	18	Sheet/FFC	DEC3577			
	19	Shield Case/LCD	DNH3172			
C	20	Plate/GND	DNH3173			
	21	Stay	DNH3284			
	22	Panel	DNK6649			
	23	Door/USB	DNK6379			
	24	Lens/USB	DNK6381			
	25	Holder/DOR	DNK6383			
	26	Cover/R	DNK6395			
	27	Reflector	DNK6400			
	28	Knob	DAA1303			
D	29	Button (LOOP)	DAC2470			
	30	Button	DAC3079			
	31	Button/REV	DAC2938			
	32	Button/VNL	DAC2939			
	33	Button/PLY	DAC3004			
	34	Slide Sheet 1C	DAH2404			
	35	Stay/VR	DNF1928			
	36	Knob/SLD	DNK5981			
	37	Control Panel	DNK6647			
E	38	Button Assy/RLP	DXB2162			
	39	Button Assy/TMP	DXB2163			
	40	Rivet (Plastic)	RBM-003			
	41	Plate	DAH3123			
	42	Holder	DNK6650			
	43	Button	DAC3241			
	44	Button	DAC3242			
	45	Button	DAC3243			

9.4 JOG DIAL SECTION

XDJ-1000/SYXJ8 and XDJ-1000MK2/LSYXJ, UXJCB and AXJ are constructed the same except for the following:

Mark	No.	Symbol and Description	XDJ-1000/ SYXJ8	XDJ-1000MK2/ LSYXJ	XDJ-1000MK2/ UXJCB	XDJ-1000MK2/ AXJ	Remarks
	1	JFLB Assy	DWX3610	DWX3927	DWX3927	DWX3927	
	2	JOGB Assy	DWX3611	DWX3928	DWX3928	DWX3928	
	6	Jog Plate	DAH2839	DAH3121	DAH3121	DAH3121	
	7	Load Spring	DBH1680	DBH1798	DBH1798	DBH1798	
	11	Encoder Plate	DEC2889	DEC3700	DEC3700	DEC3700	
	16	Load Gear	DNK5236	DNK6145	DNK6145	DNK6145	
	18	Gear A	DNK5241	DNK6143	DNK6143	DNK6143	
	19	Gear B	DNK5242	DNK6144	DNK6144	DNK6144	
	23	Roller Assy/A	DXB2118	DXB2178	DXB2178	DXB2178	

