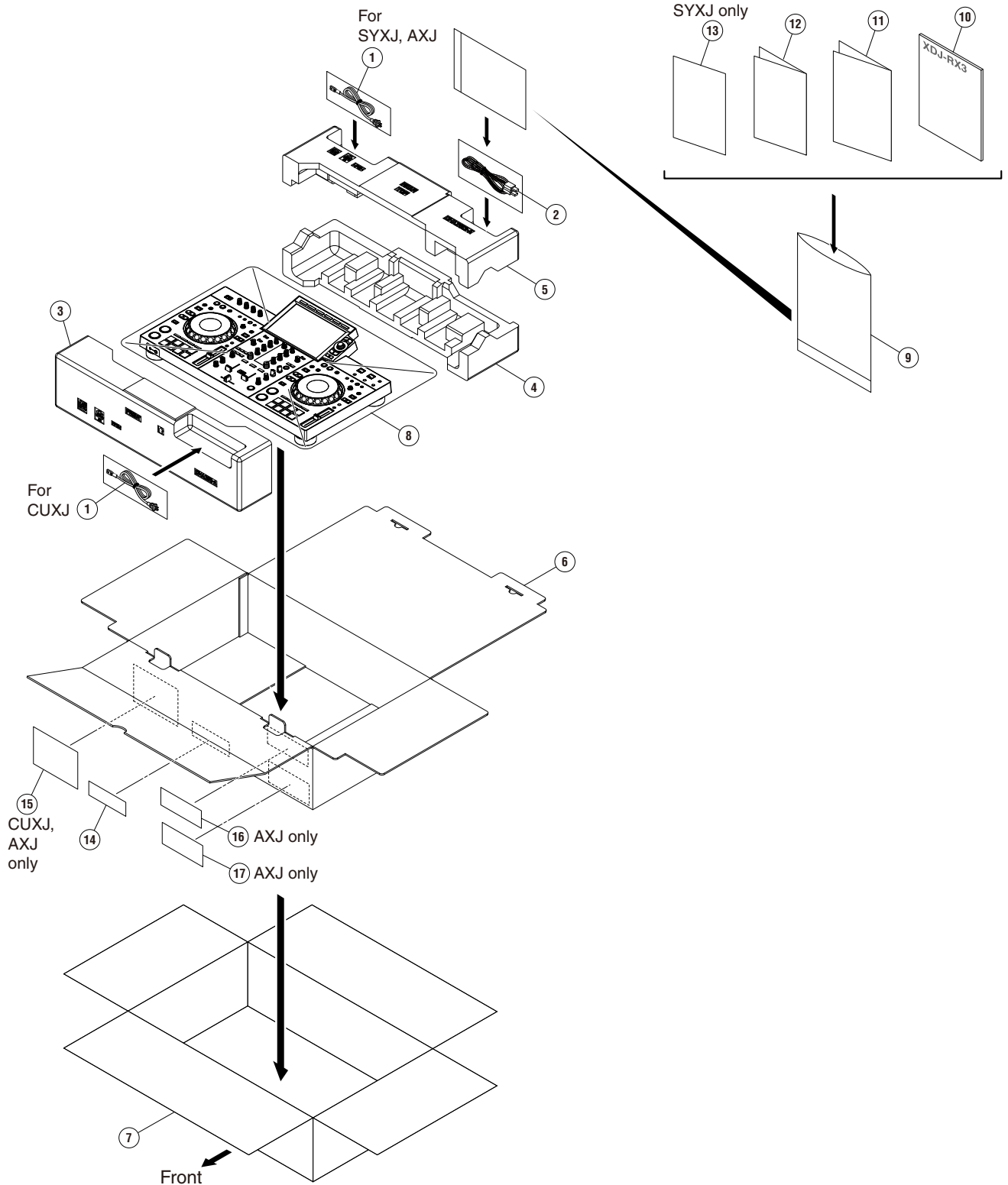


9. EXPLODED VIEWS AND PARTS LIST

- NOTES:
- Parts marked by "NSP" are generally unavailable because they are not in our Master Spare Parts List.
 - The \triangle mark found on some component parts indicates the importance of the safety factor of the part. Therefore, when replacing, be sure to use parts of identical designation.
 - Screws adjacent to ∇ mark on product are used for disassembly.
 - For the applying amount of lubricants or glue, follow the instructions in this manual. (In the case of no amount instructions, apply as you think it appropriate.)

9.1 PACKING SECTION



(1) PACKING SECTION PARTS LIST

<u>Mark No.</u>	<u>Description</u>	<u>Part No.</u>	<u>Mark No.</u>	<u>Description</u>	<u>Part No.</u>
A	⚠ 1 Power Cord	See Contrast table (2)	11	Precautions for Use	See Contrast table (2)
	2 USB cable	DDE1140	12	Software license notice	DRH1646
	3 Packing Pad	DHA2011	NSP 13	Warranty	See Contrast table (2)
	4 Packing Pad	DHA2012	NSP 14	Label	DRW3026
	5 Packing Pad	DHA2013	NSP 15	Label	See Contrast table (2)
■	6 Packing Case	DHG3812	NSP 16	Label	See Contrast table (2)
	7 Master Carton	See Contrast table (2)	NSP 17	Label	See Contrast table (2)
	8 Mirror Mat (1200*1000)	DHL1169			
NSP 9	Polyethylene Bag (0.06*230*340)	AHG7117			
	10 Quick Start Guide	See Contrast table (2)			

B

(2) CONTRAST TABLE

XDJ-RX3/SYXJ, CUXJ and AXJ are constructed the same except for the following:

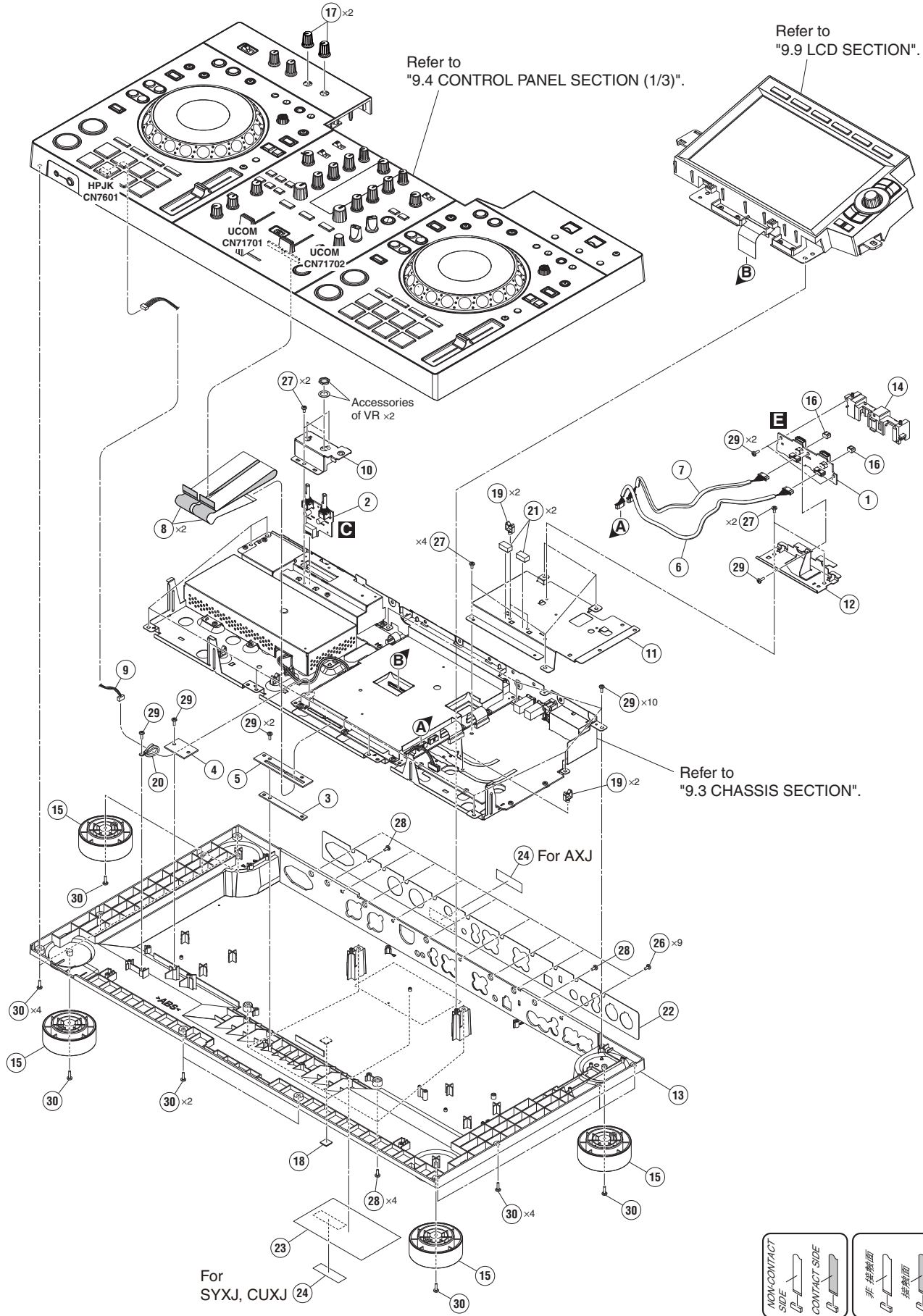
Mark	No.	Symbol and Description	XDJ-RX3/SYXJ	XDJ-RX3/CUXJ	XDJ-RX3/AXJ
C	⚠ 1	Power Cord	ADG1244	DDG1108	DDG1114
	7	Master Carton	DHG3813	DHG3814	DHG3816
	10	Quick Start Guide	DRH1627	DRH1627	DRH1628
	11	Precautions for Use	DRH1629	DRH1629	DRH1630
	NSP 13	Warranty	DRY1274	Not used	Not used
NSP 15	Label	Not used	DRW2997	DRW2999	
NSP 16	Label	Not used	Not used	DRW2953	
NSP 17	Label	Not used	Not used	DRW3012	

D

E

F

9.2 BOTTOM SECTION



XDJ-RX3

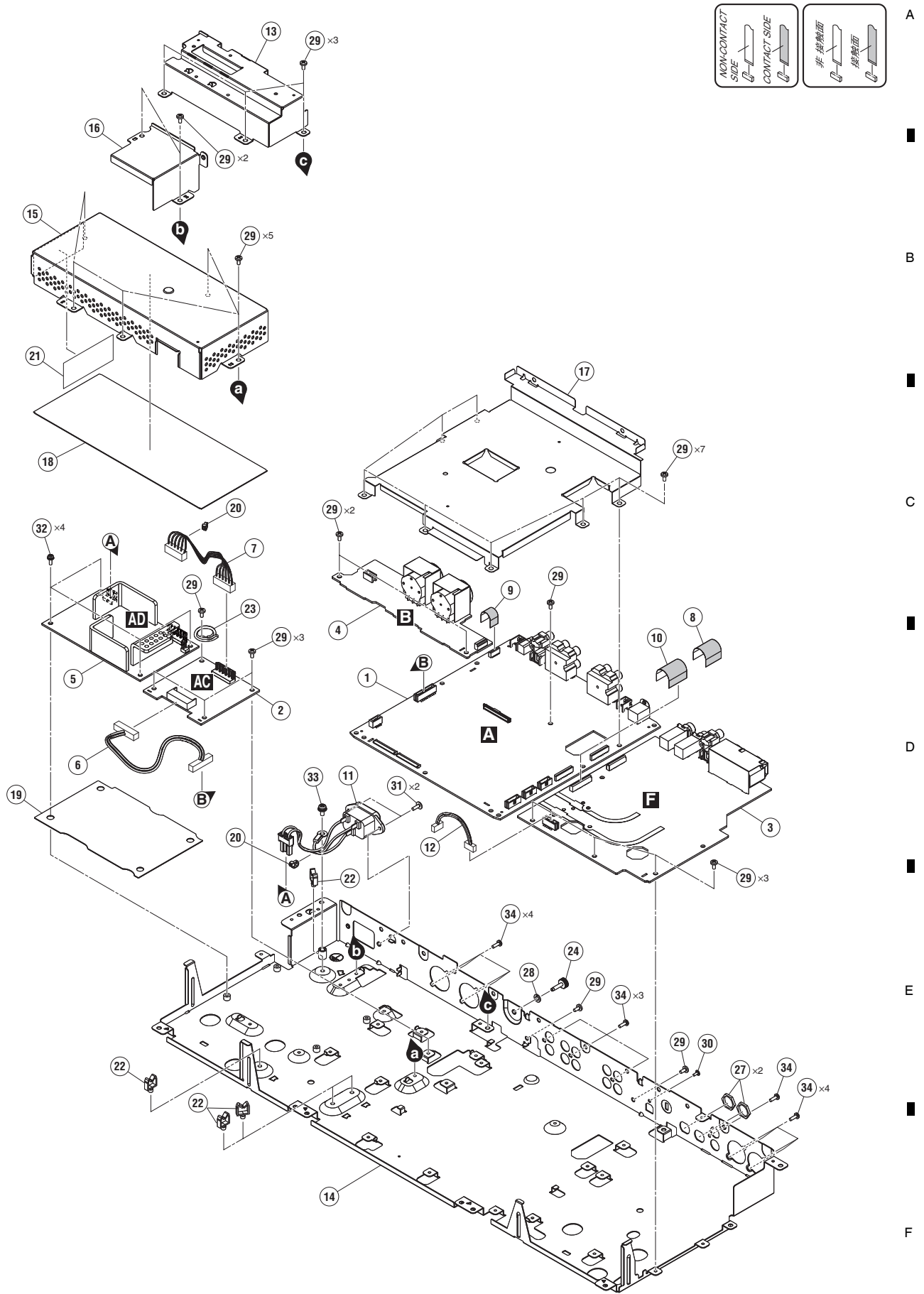
(1) BOTTOM SECTION PARTS LIST

<u>Mark No.</u>	<u>Description</u>	<u>Part No.</u>	<u>Mark No.</u>	<u>Description</u>	<u>Part No.</u>
A	1 USBA Assy	DWX4535	16	Gasket/Jog	DEC3562
	2 MTRM Assy	DWX4548	17	Knob/LBK	DAA1284
	3 DKHD Assy	DWX4560	18	Rubber Foot	VEB1349
	4 HPHD Assy	DWX4561	19	Holder	VEC1355
	5 MUHD Assy	DWX4684	20	Cord Clamper	DEX1025
	6 Shielded Conn-Cable	DDA1103	21	Cushion	DEC4022
	7 Shielded Conn-Cable	DDA1104	22	Rear Panel	See Contrast table (2)
	8 FFC	DDD2015	NSP 23	Label	See Contrast table (2)
	9 Parallel Jumper	PF06PP-B42	NSP 24	Serial Label (UPC)	DRW2311
	10 Stay	DNH3299	25	•••••	
B	11 Shield Case	DNH3303	26	Screw	BBZ30P060FTB
	12 Stay	DNH3311	27	Screw	BBZ30P060FTC
	13 Chassis	DNK6704	28	Screw	BBZ30P080FTB
	14 Base	DNK6708	29	Screw	BPZ30P080FNI
	15 Insulator	DXB2215	30	Screw	BPZ30P100FTB

(2) CONTRAST TABLE

C XDJ-RX3/SYXJ, CUXJ and AXJ are constructed the same except for the following:

Mark	No.	Symbol and Description	XDJ-RX3/SYXJ	XDJ-RX3/CUXJ	XDJ-RX3/AXJ
	22	Rear Panel	DAH3358	DAH3358	DAH3361
NSP	23	Label	DRW2996	DRW2996	Not used



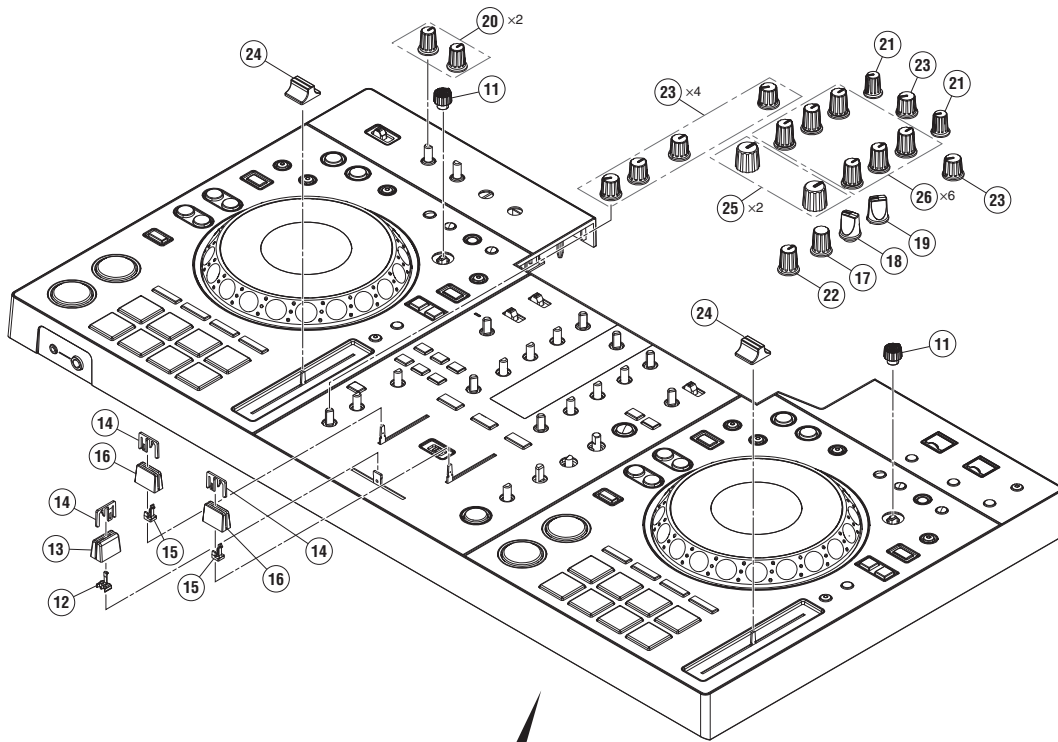
CHASSIS SECTION PARTS LIST

<u>Mark No.</u>	<u>Description</u>	<u>Part No.</u>
A	1 MAIN Assy	DWX4531 or DWX4707
	2 SUBP Assy	DWX4540
	3 AOUT Assy	DWX4543
	4 MCJK Assy	DWX4544
⚠	5 SW POWER SUPPLY	DWR1590
	6 Crimp Connector	DDC1038
	7 Crimp Connector	DDC1039
	8 FFC/19P	DDD1689
	9 FFC	DDD1888
	10 FFC	DDD2012
B	⚠ 11 AC Inlet	DKP3996
	12 Parallel Jumper	PF06PP-B07A
	13 Shield Case	DNH3305
	14 Stay	DNH3468
	15 Shield Case	DNH3471
	16 Shield Case	DNH3472
	17 Shield Case	DNH3473
	18 Sheet	DEC3981
	19 Sheet	DEC3982
C	20 Cable Tie (SKB-90BK)	ZCA-SKB90BK
	21 Sheet	DEC4035
	22 Holder	VEC1355
	23 Cord Clamper	DEX1025
	24 Earth Terminal	DKE1015
	25 •••••	
	26 •••••	
	27 Nut (M12)	NKX2FNI
	28 Spring Lock Washer	WS40FNI
D	29 Screw	BBZ30P060FTC
	30 Screw (M3*5)	DBA1340
	31 Screw	IBZ30P080FTB
	32 Screw	PMH30P080FTC
	33 Screw	PMH40P080FTC
	34 Screw	PPZ30P080FTB

E

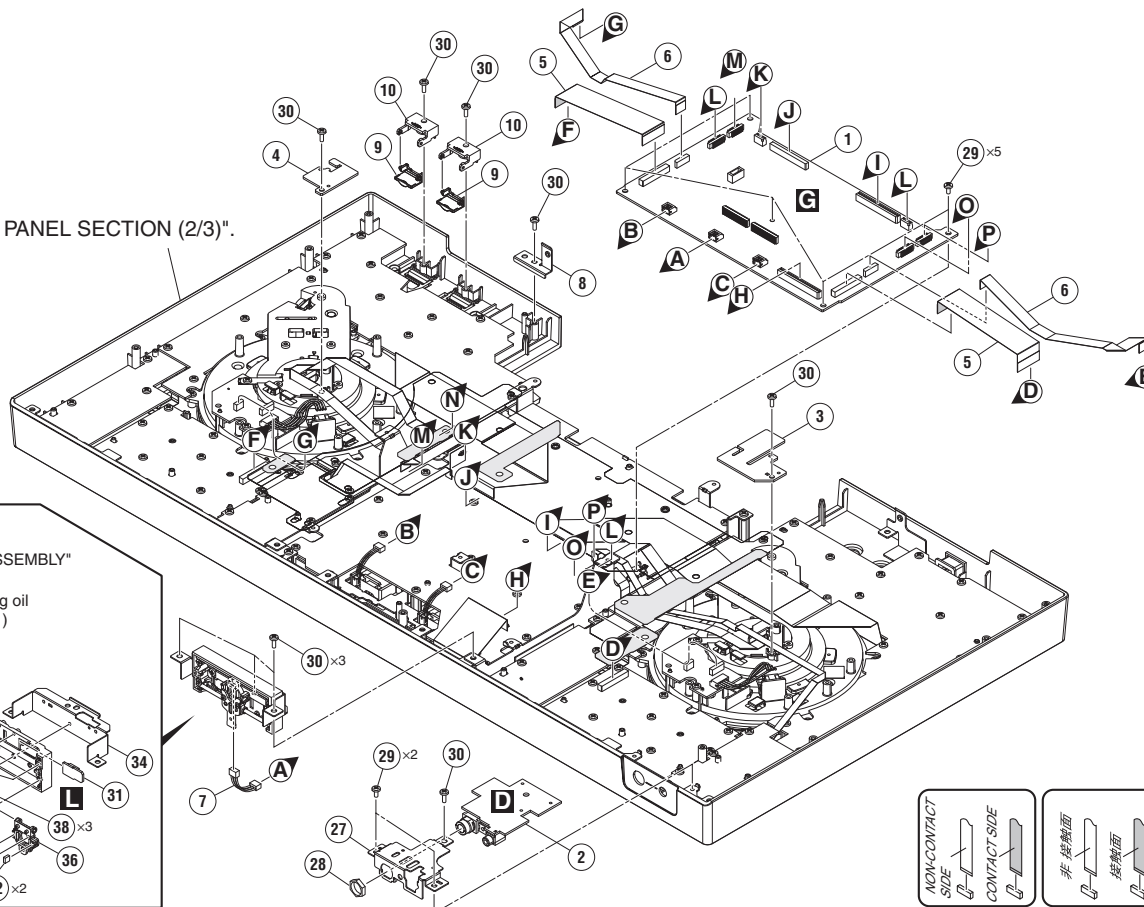
F

9.4 CONTROL PANEL SECTION (1/3)



• Bottom view

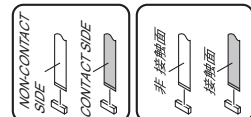
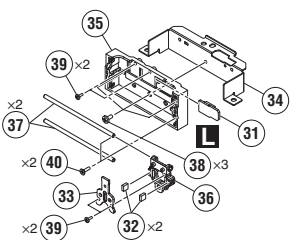
Refer to "9.5 CONTROL PANEL SECTION (2/3)".



• Top view

Refer to "7. DISASSEMBLY"

 Lubricating oil (GYA1001)



CONTROL PANEL SECTION (1/3) PARTS LIST

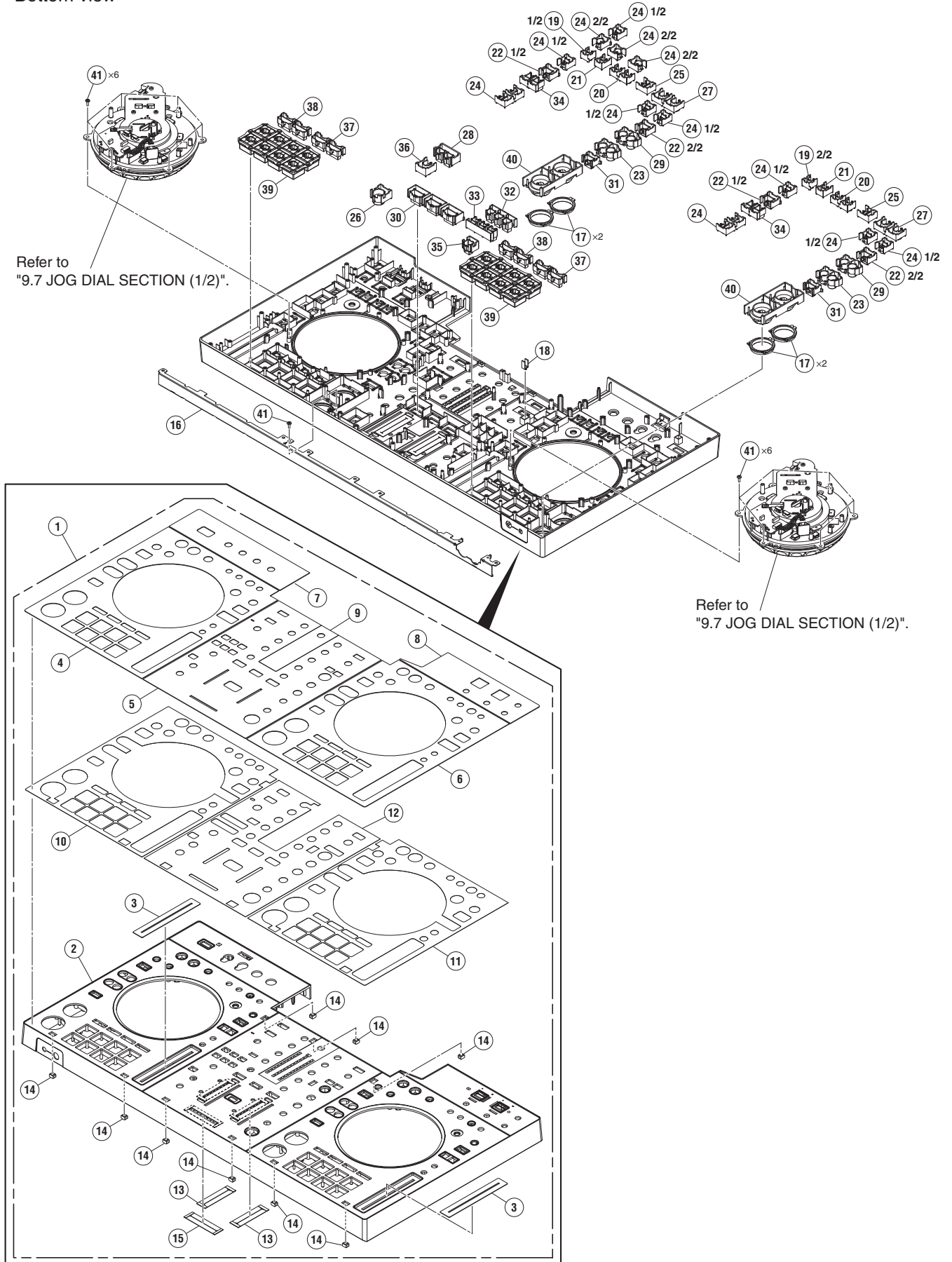
<u>Mark No.</u>	<u>Description</u>	<u>Part No.</u>
A	1 UCOM Assy	DWX4542
	2 HPJK Assy	DWX4549
	3 JHDL Assy	DWX4562
	4 JHDR Assy	DWX4563
	5 FFC/50P	DDD1686
	6 FFC	DDD2027
	7 Connector Assy	PF03PP-B05
	8 Stay	DNH3499
	9 Door	DNK6497
	10 Holder	DNK6710
B	11 Knob/CFC	DAA1326
	12 Stopper	DNK6440
	13 Knob	DAC3238
	14 Slider Knob 2	DAC2685
	15 Slider Knob Stopper	DNK5888
	16 Knob	DAC3539
	17 Rotary SW Knob (C)	DAA1180
	18 Select Knob	DAA1205
	19 FX SEL Knob	DAA1213
C	20 Knob/LBK	DAA1284
	21 Knob	DAA1417
	22 Knob	DAA1434
	23 Knob	DAA1435
	24 Knob/SLD	DNK5981
	25 Knob	DAA1462
	26 Knob	DAA1305
	27 Stay	DNH3470
	28 Nut M12	DBN1018
D	29 Screw	BBZ30P060FTC
	30 Screw	BPZ30P080FNI
	31 CRFD Assy	DWX4536
	32 Cushion	DEC3640
	33 Lever	DNH3211
	34 Stay	DNH3301
	35 Holder	DNK6425
	36 Slider	DNK6426
	37 Guide Bar	VLL1514
E	38 Screw	BBZ30P060FTC
	39 Screw	BPZ20P050FTC
	40 Screw	CPZ26P080FTC

CONTROL PANEL SECTION (2/3) PARTS LIST

<u>Mark No.</u>	<u>Description</u>	<u>Part No.</u>
A	1 PAD1 Assy	DWX4533
	2 PAD2 Assy	DWX4534
	3 LVMB Assy	DWX4539
	4 MXRB Assy	DWX4547
	5 DCK1 Assy	DWX4550
	6 TMP1 Assy	DWX4551
	7 PLAY1 Assy	DWX4552
	8 DCK2 Assy	DWX4555
	9 TMP2 Assy	DWX4558
	10 PLAY2 Assy	DWX4559
B	11 DKHD Assy	DWX4560
	12 FFC/19P	DDD1689
	13 FFC	DDD1745
	14 FFC	DDD1807
	15 FFC	DDD2017
	16 FFC	DDD2019
	17 FFC	DDD2022
	18 FFC	DDD2031
	19 Stay	DNH3300
	20 Stay	DNH3467
C	21 Holder	DNK7010
	22 Power Knob	DAC2306
	23 Slide SW Cap (W)	DAC2401
	24 SW Cap	DAC2753
	25 Cap	DAC3136
	26 Sheet	DEC4044
	27 Sheet	DEC4036
	28 Barrier	DEC3985
	29 Screw	BBZ30P060FTC
	30 Screw	BPZ30P080FNI
	31 Screw	BSZ20P040FTB
	32 Sheet	DEC4045
	33 •••••	
	34 CHF1 Assy	DWX4553
	35 CHF2 Assy	DWX4554
D	36 Connector Assy	PF03PP-B05
	37 Guide Shaft VK1	DLA1978
	38 Lever Plate	DNH2954
	39 VR Stay	DNH2955
	40 Slider Base	DNK5851
E	41 Shaft Holder	DNK5852
	42 Screw	BPZ20P060FTC
	43 Screw	CPZ26P080FTC
	44 Screw	PMH20P040FTC
	44 Screw	PMH20P040FTC
F		

9.6 CONTROL PANEL SECTION (3/3)

• Bottom view

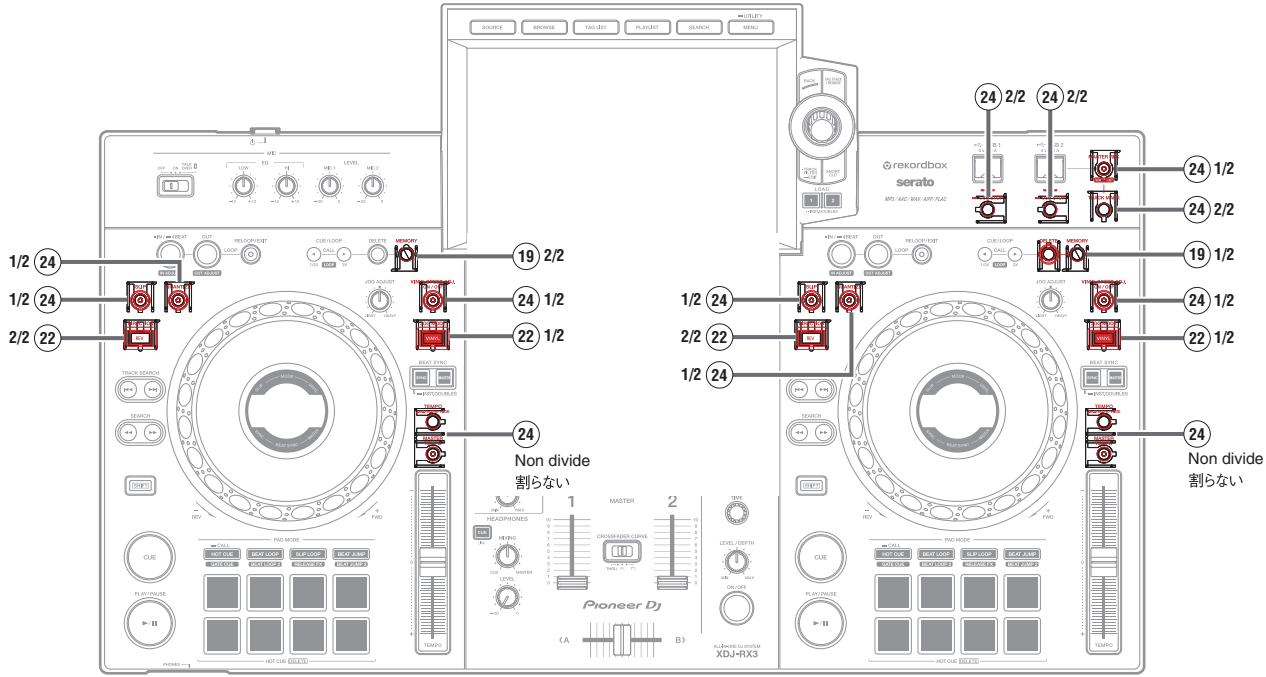


• The position of the divided parts / 分割部品の取り付け位置

A

B

C



CONTROL PANEL SECTION (3/3) PARTS LIST

D

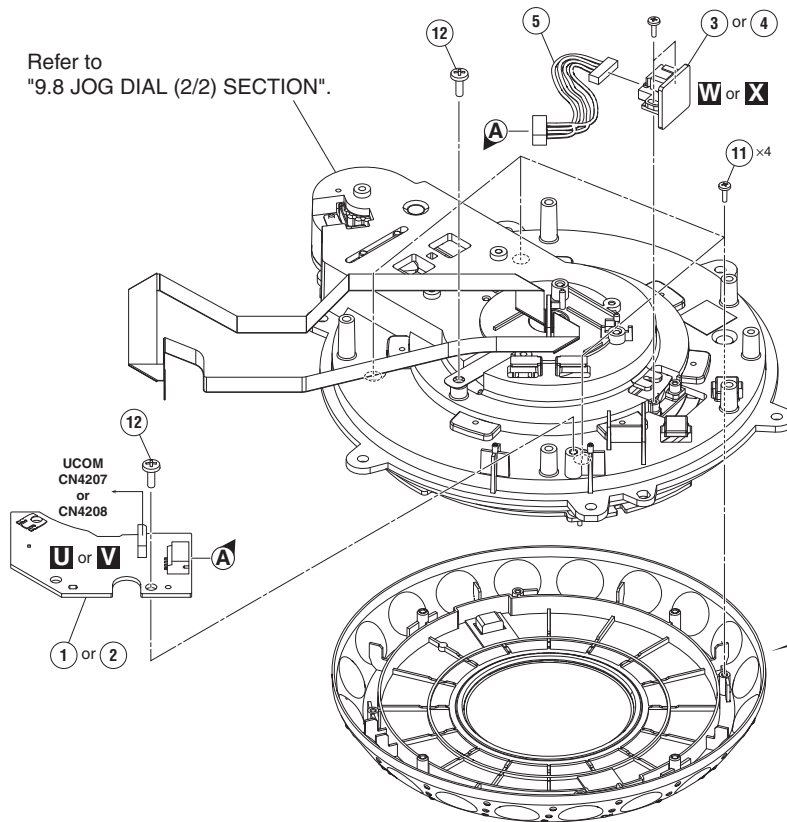
E

F

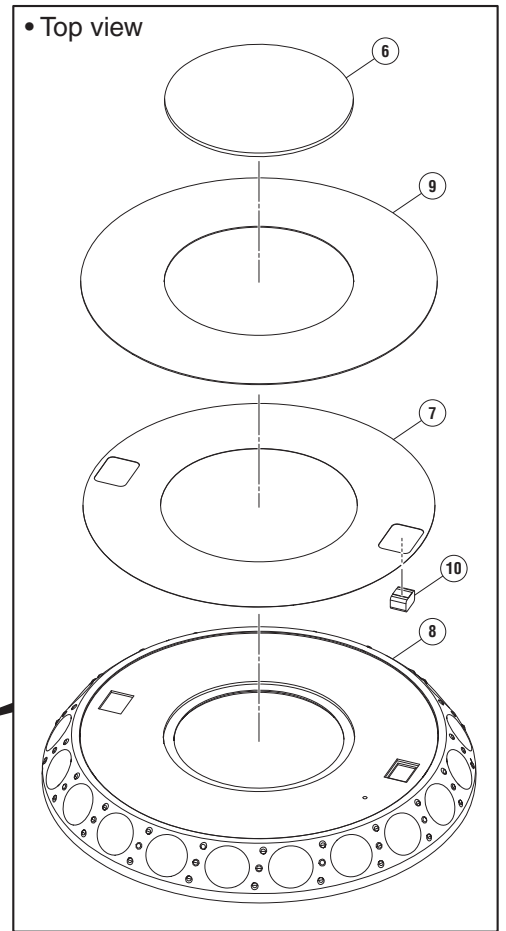
Mark No.	Description	Part No.	Mark No.	Description	Part No.
1	1..XDJ-RX3 Panel Service Assy	DEA1129	26	Button/EF	DAC3040
NSP 2	2..Control Panel	DNK7011	27	Button/LOP	DAC3074
3	2..Slide Sheet 1C	DAH2404	28	Button/BEF	DAC3075
NSP 4	2..Plate	DAH3350	29	Button/TSR	DAC3076
NSP 5	2..Plate	DAH3351	30	Button	DAC3287
NSP 6	2..Plate	DAH3352	31	Button	DAC3288
NSP 7	2..Plate	DAH3355	32	Button	DAC3479
NSP 8	2..Plate	DAH3356	33	Button	DAC3480
NSP 9	2..Plate	DAH3357	34	Button	DAC3588
NSP 10	2..DS Tape	DEH1113	35	Button	DAC3590
NSP 11	2..DS Tape	DEH1114	36	Button	DAC3591
NSP 12	2..DS Tape	DEH1115	37	Button	DAC3592
13	2..Fader Packing	DEC3355	38	Button	DAC3593
14	2..Gasket/Jog	DEC3562	39	Button	DEB2090
15	2..Packing	DEC3642	40	Button Unit	DXB2214
16	Frame	DNH3296	41	Screw	BPZ30P080FNI
17	Ring Lens (PLAY)	DNK5315			
18	Lens	DNK5862			
19	Button/TMP	DAC2845			
20	Button/CAL	DAC3020			
21	Button/DLT	DAC3021			
22	Button/RVL	DAC3023			
23	Button/SRC	DAC3028			
24	Button/MT	DAC3029			
25	Button/REL	DAC3030			

9.7 JOG DIAL SECTION (1/2)

• Bottom view



• Top view



JOG DIAL SECTION (1/2) PARTS LIST

Mark No.	Description	Part No.
1	JOGT1 Assy	DWX4537
2	JOGT2 Assy	DWX4538
3	JOG1 Assy	DWX4556
4	JOG2 Assy	DWX4557
5	Connector Assy	PF04PP-B07
6	Window	DAH3233
7	DS Tape	DEH1096
8	Jog Dial	DNK6912
9	Plate	DAH3353
10	Gasket/Jog	DEC3562
11	Screw	BPZ20P060FTC
12	Screw	BPZ30P080FTC

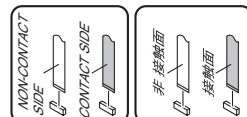
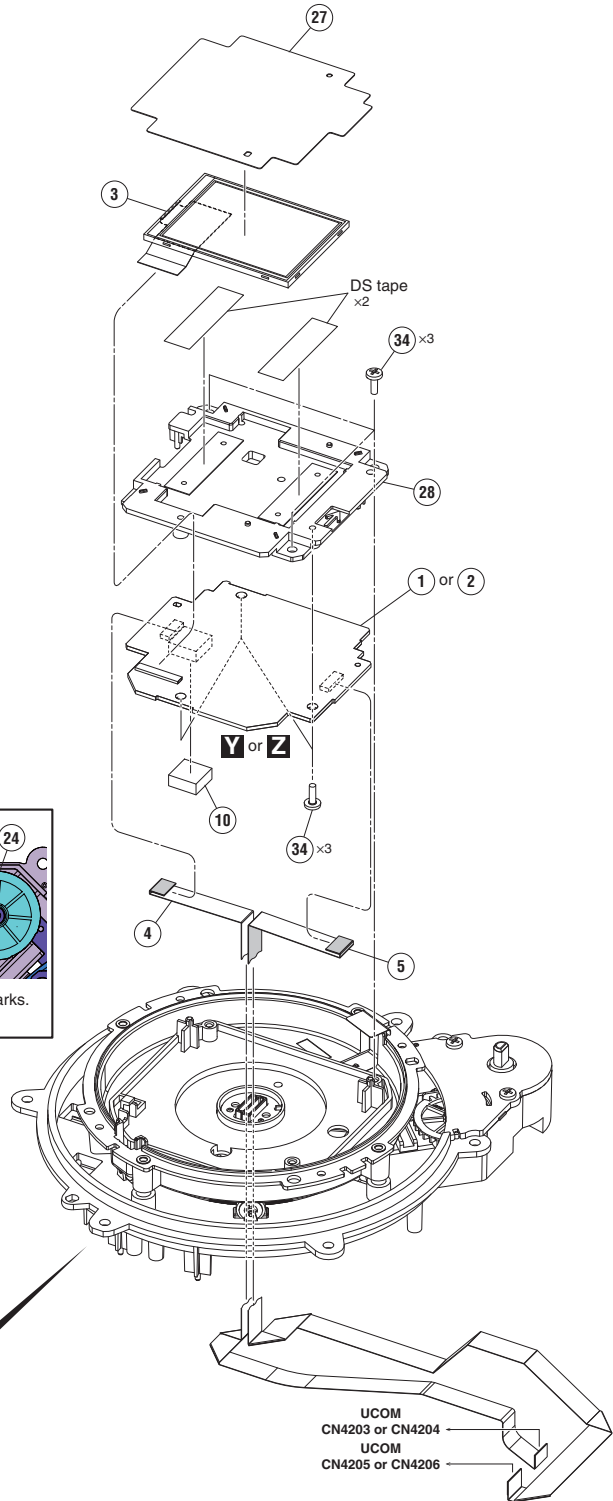
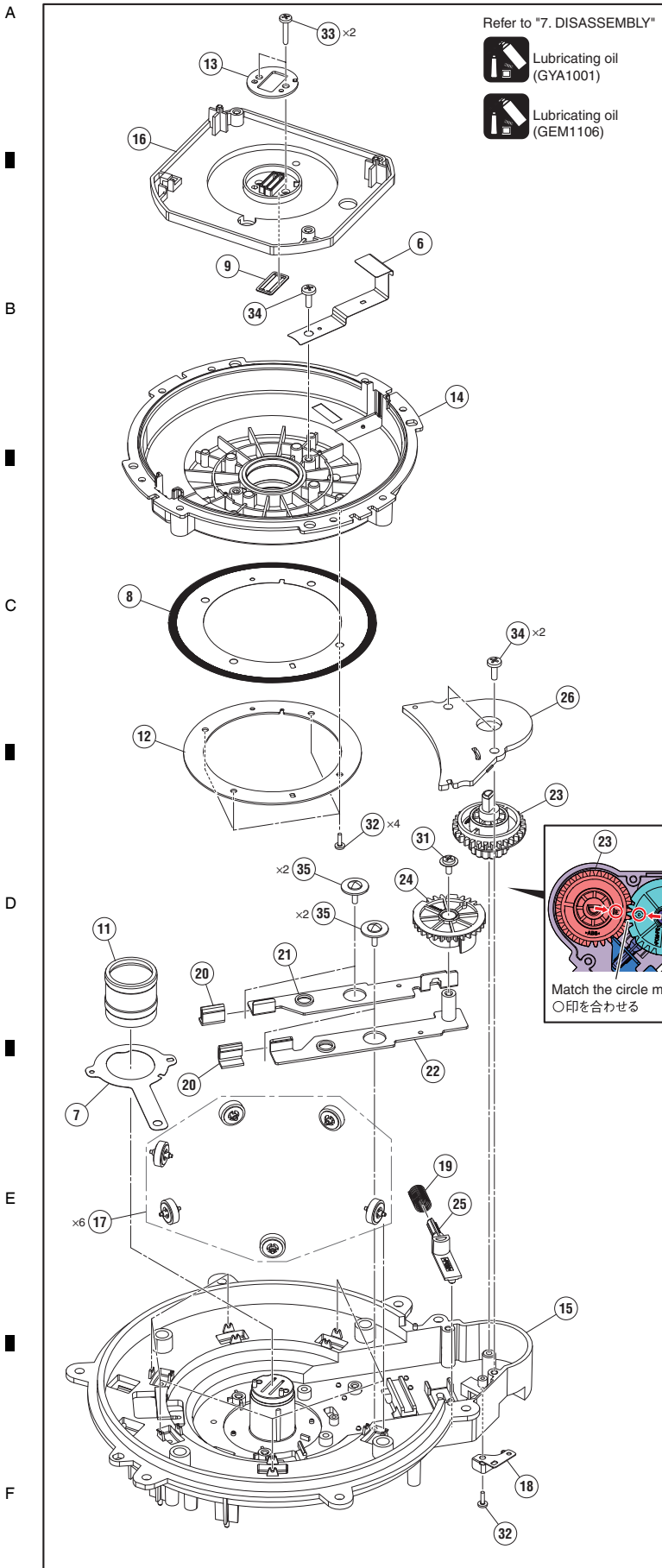
9.8 JOG DIAL SECTION (2/2)

1

2

3

4



1

2

3

4

JOG DIAL SECTION (2/2) PARTS LIST

<u>Mark No.</u>	<u>Description</u>	<u>Part No.</u>	
1	JLCD1 Assy	DWX4545	
2	JLCD2 Assy	DWX4565	A
3	TFT LCD	DWX4226	
4	FFC	DDD2023	
5	FFC	DDD2024	
6	Leaf Spring	DBK1391	
7	Leaf Spring	DBK1392	
8	Slit/Jog	DEC3515	
9	Packing	DEC3820	
10	Cushion	DEC3831	
11	Shaft	DLA2266	B
12	Bracket/SLT	DNH3168	
13	Cover	DNH3391	
14	Jog Dial	DNK6820	
15	Base	DNK6821	
16	Holder	DNK6829	
17	Roller	DXB2178	
18	Leaf Spring	DBK1393	
19	Coil Spring	DBH1823	
20	Felt	DED1188	C
21	Lever	DNH3392	
22	Lever	DNH3393	
23	Gear	DNK6823	
24	Cam	DNK6824	
25	Pin	DNK6825	
26	Cover	DNK6826	
27	Sheet	DEC3980	
28	Holder	DNK7009	
29	•••••		D
30	•••••		
31	Screw	AMZ30P060FTC	
32	Screw	BPZ20P060FTC	
33	Screw	BPZ26P160FTC	
34	Screw	BPZ30P080FTC	
35	DM Screw (FTC)	DBA1260	

9.9 LCD SECTION

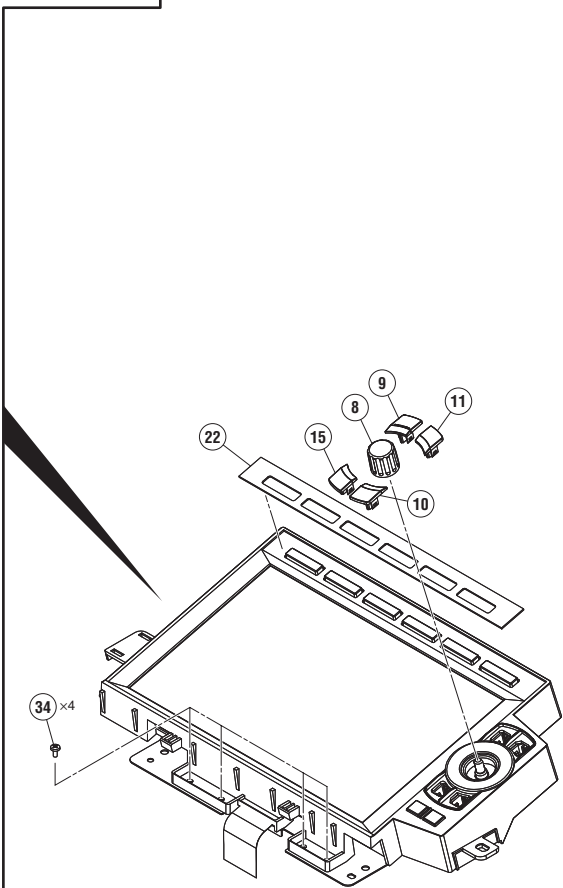
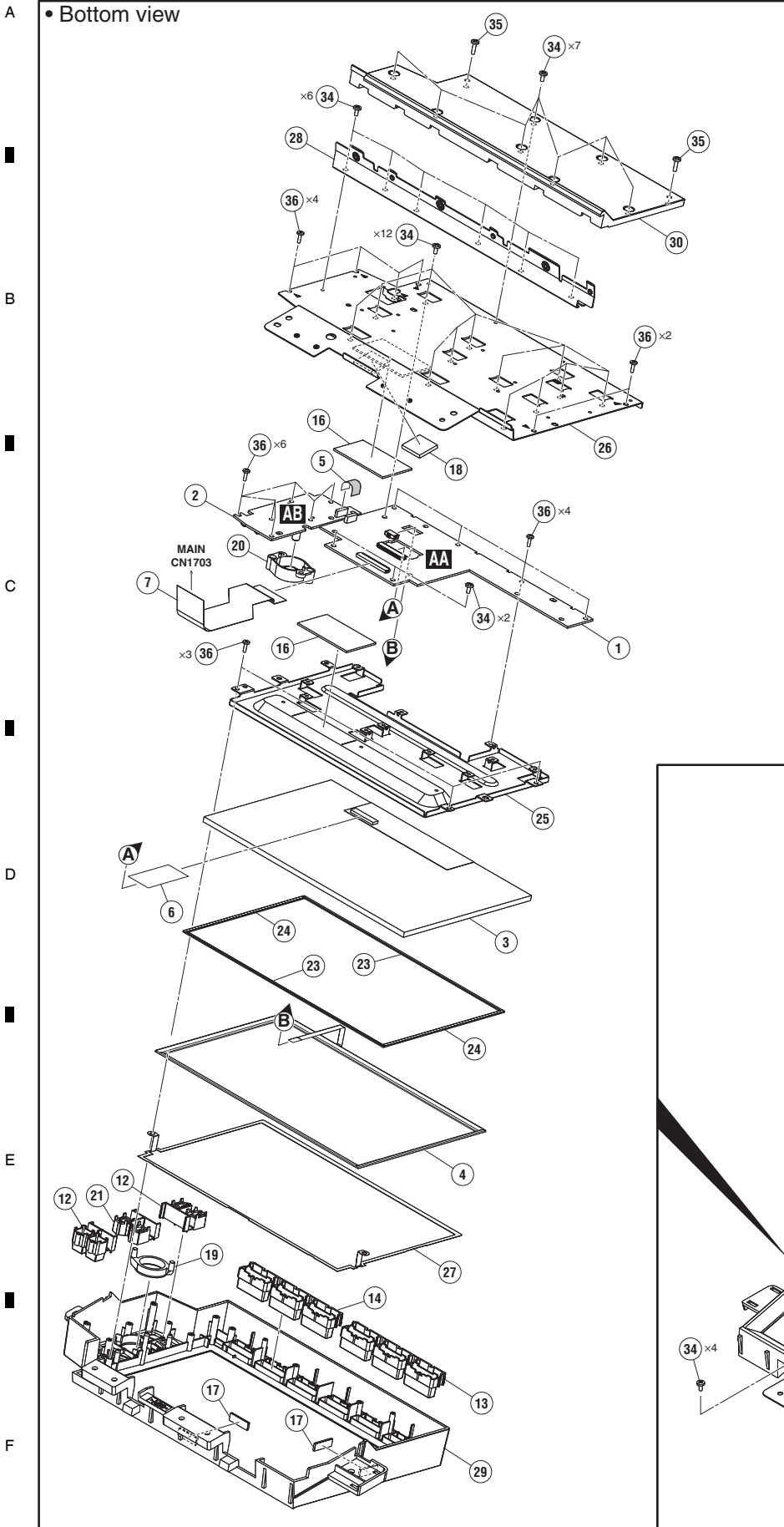
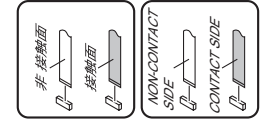
1

2

3

4

A • Bottom view



1

2

3

4

LCD SECTION PARTS LIST

<u>Mark No.</u>	<u>Description</u>	<u>Part No.</u>	
1	MLCD Assy	DWX4532	
2	BENC Assy	DWX4541	A
3	TFT LCD	DWX4601	
4	Touch Panel	DSX1151	
5	FFC	DDD2032	
6	FFC	DDD2033	
7	FFC	DDD2067	
8	Dial Knob	DAA1246	
9	Button	DAC3457	
10	Button	DAC3458	
11	Button	DAC3459	B
12	Button	DAC3460	
13	Button	DAC3461	
14	Button	DAC3462	
15	Button	DAC3485	
16	Sheet	DEC3741	
17	Packing/LCD	DEC3565	
18	Cushion	DEC3830	
19	Lens	DNK6859	
20	Holder	DNK6860	C
21	Button	DAC3589	
22	Plate	DAH3354	
23	Cushion	DEC3986	
24	Cushion	DEC3987	
25	Stay	DNH3469	
26	Bracket	DNH3474	
27	Plate	DNH3475	
28	Angle	DNH3476	
29	Panel	DNK7007	D
30	Cover	DNK7008	
31		
32		
33	Screw	BBZ30P060FTB	
34	Screw	BBZ30P060FTC	
35	Screw	BBZ30P100FTB	
36	Screw	BPZ26P080FTC	E