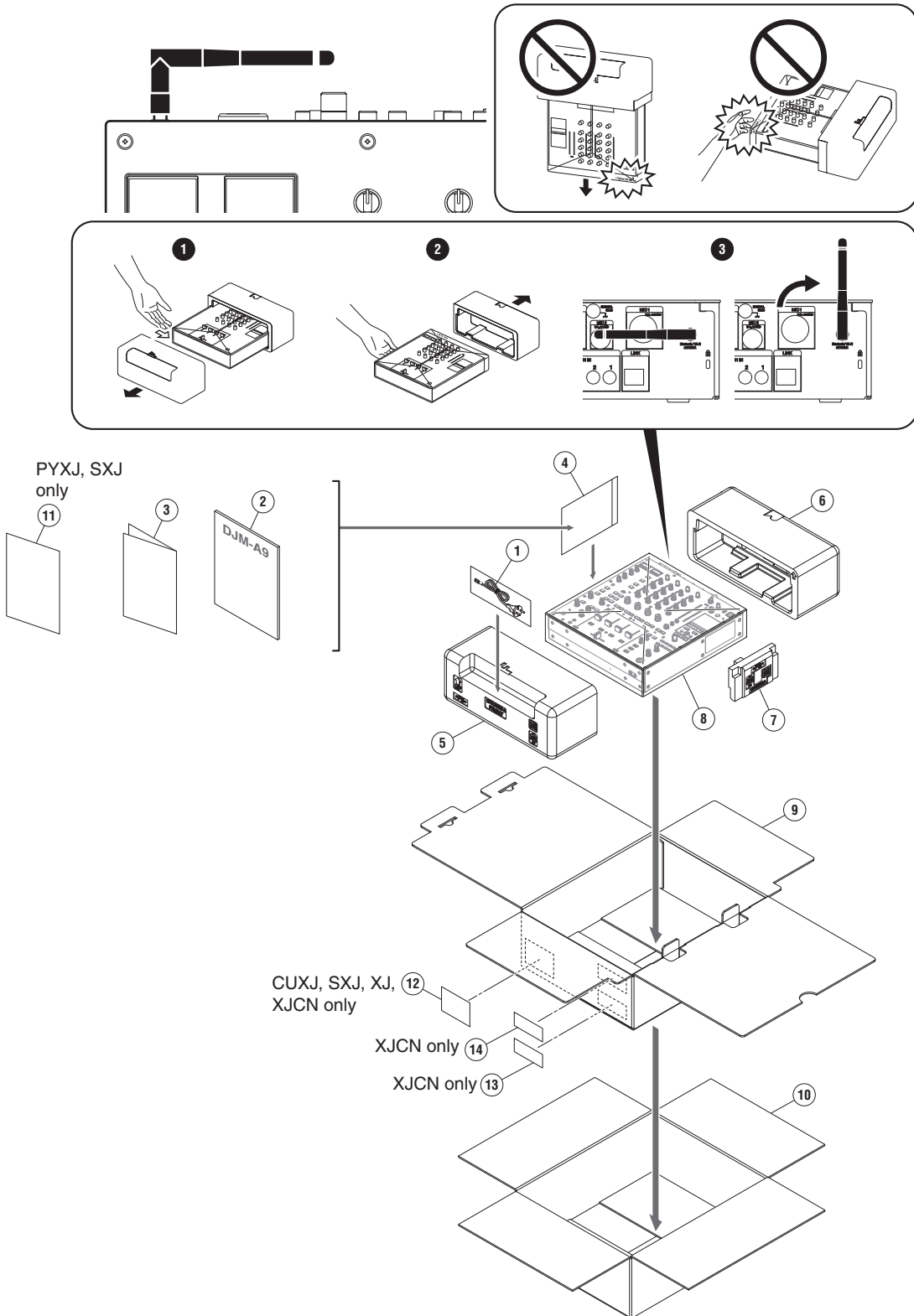


# 9. EXPLODED VIEWS AND PARTS LIST

- NOTES:
- Parts marked by "NSP" are generally unavailable because they are not in our Master Spare Parts List.
  - The  $\triangle$  mark found on some component parts indicates the importance of the safety factor of the part. Therefore, when replacing, be sure to use parts of identical designation.
  - Screws adjacent to  $\nabla$  mark on product are used for disassembly.
  - For the applying amount of lubricants or glue, follow the instructions in this manual. (In the case of no amount instructions, apply as you think it appropriate.)

## 9.1 PACKING SECTION



**(1) PACKING SECTION PARTS LIST**

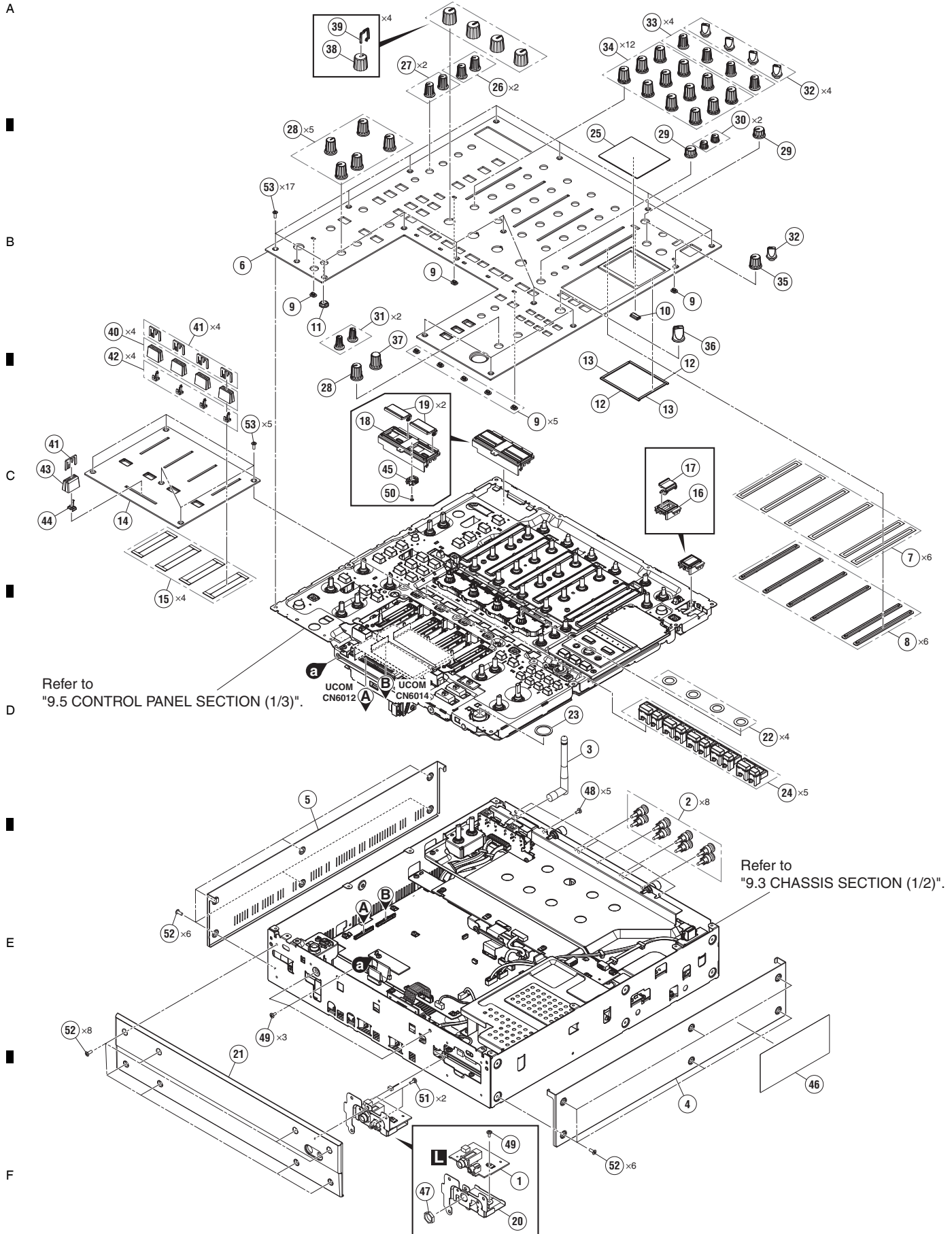
<u>Mark No.</u>	<u>Description</u>	<u>Part No.</u>
⚠	1 Power cord	See Contrast table (2)
	2 Quick Start Guide	See Contrast table (2)
	3 Precautions for Use	See Contrast table (2)
NSP	4 Polyethylene Bag	AHG7117
	5 Packing Pad	DHA2020
	6 Packing Pad	DHA2021
	7 Packing Pad	DHA2035
	8 Mirror Mat (1200*1000)	DHL1169
	9 Packing Case	DHG3843
	10 Master Carton	See Contrast table (2)
NSP	11 Warranty	See Contrast table (2)
NSP	12 Label	See Contrast table (2)
NSP	13 Label	See Contrast table (2)
NSP	14 Label	See Contrast table (2)

**(2) CONTRAST TABLE**

DJM-A9/CUXJ, PYXJ, SXJ, XJ and XJCN are constructed the same except for the following:

Mark	No.	Symbol and Description	DJM-A9/CUXJ	DJM-A9/PYXJ	DJM-A9/SXJ	DJM-A9/XJ	DJM-A9/XJCN
⚠	1	Power cord	DDG1123	DDG1124	DDG1124	DDG1124	DDG1125
	2	Quick Start Guide	DRH1701	DRH1701	DRH1701	DRH1701	DRH1702
	3	Precautions for Use	DRH1699	DRH1699	DRH1699	DRH1699	DRH1700
	10	Master Carton	DHG3847	DHG3844	DHG3845	DHG3846	DHG3849
NSP	11	Warranty	Not used	DRY1274	DRY1274	Not used	Not used
NSP	12	Label	DRW3037	Not used	DRW3035	DRW3036	DRW3039
NSP	13	Label	Not used	Not used	Not used	Not used	DRW3040
NSP	14	Label	Not used	Not used	Not used	Not used	DRW2842

# 9.2 EXTERIOR SECTION



**(1) EXTERIOR SECTION PARTS LIST**

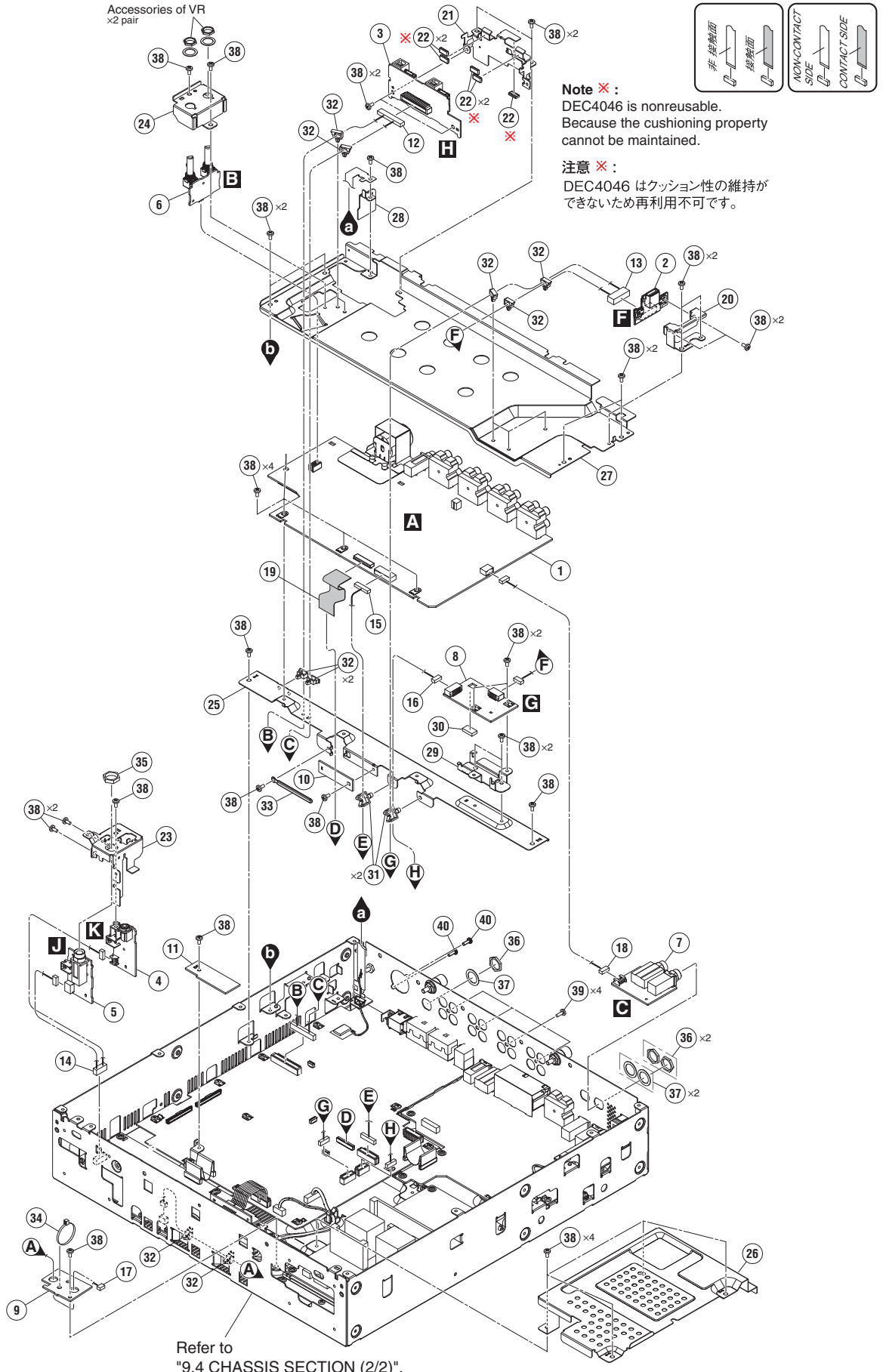
<u>Mark No.</u>	<u>Description</u>	<u>Part No.</u>	<u>Mark No.</u>	<u>Description</u>	<u>Part No.</u>
1	HPJC Assy	DWX4761	26	Knob	DAA1470
2	RCA Plug	DKM1026	27	Knob	DAA1471
3	Wi-Fi Antenna	DSD1004	28	Knob	DAA1434
4	Panel	DAH3382	29	Rotary Knob Low (BN)	DAA1265
5	Panel	DAH3383	30	Knob	DAA1420
6	Control Panel	DNB1288	31	Knob/RSW	DAA1307
7	DS Tape	DEH1126	32	Knob	DAA1415
8	Lens	DNK7054	33	Knob	DAA1417
9	Lens	DNK7053	34	Knob	DAA1430
10	Lens	DNK6516	35	Knob	DAA1435
11	Holder	DNK6552	36	Select Knob	DAA1205
12	Cushion	DEC4042	37	Rotary SW Knob (C)	DAA1180
13	Cushion	DEC4043	38	Knob	DAA1445
14	Panel	DAH3386	39	Stopper	DNK6970
15	Packing	DEC4028	40	Knob	DAC3539
16	Panel	DNK7049	41	Slider Knob 2	DAC2685
17	Lid	DNK7050	42	Slider Knob Stopper	DNK5888
18	Panel	DNK7047	43	Knob	DAC3238
19	Lid	DNK7048	44	Stopper	DNK6440
20	Stay	DNG1153	45	Holder	DNK6549
⚠ 21	Panel	DNK7051	NSP 46	Name Label	See Contrast table (2)
22	Cushion	DEC3969	47	Nut M12	DBN1018
23	SW Packing (EF)	DEC2929	48	Screw	BBZ30P060FTB
24	Button	DAC3632	49	Screw	BBZ30P060FTC
25	Window	DAH3385	50	Screw	BPZ20P060FTC
			51	Screw	BPZ30P080FNI
			52	Screw (FE)	DBA1290
			53	Screw	DBA1451

**(2) CONTRAST TABLE**

DJM-A9/CUXJ, PYXJ, SXJ, XJ and XJCN are constructed the same except for the following:

Mark	No.	Symbol and Description	DJM-A9/CUXJ	DJM-A9/PYXJ	DJM-A9/SXJ	DJM-A9/XJ	DJM-A9/XJCN
NSP	46	Name Label	DAL1386	DAL1383	DAL1384	DAL1385	DAL1388

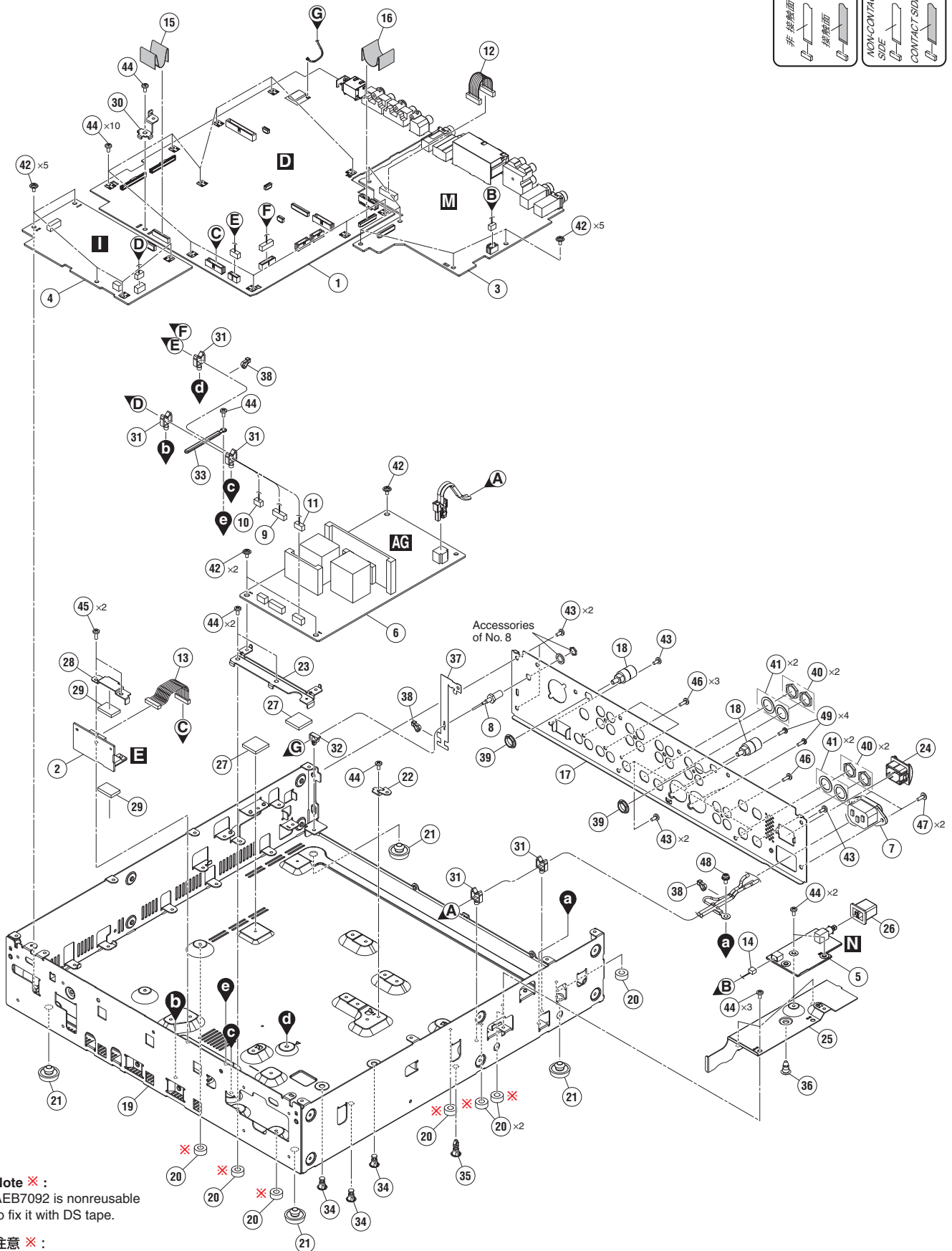
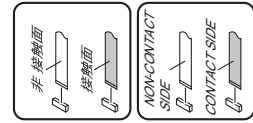
# 9.3 CHASSIS SECTION (1/2)



## CHASSIS SECTION (1/2) PARTS LIST

<u>Mark No.</u>	<u>Description</u>	<u>Part No.</u>	
1	AINB Service Assy	DEA1147	
2	USBA Assy	DWX4756	A
3	USBBC Assy	DWX4757	
4	HPJK Assy	DWX4759	
5	HPJM Assy	DWX4760	
6	MTRM Assy	DWX4762	
7	RTNJ Assy	DWX4766	
8	USBP Assy	DWX4767	
9	CCB1 Assy	DWX4803	
10	FGP1 Assy	DWX4801	
11	FGP2 Assy	DWX4802	B
12	Shielded Conn-Cable	DDA1107	
13	Shielded Conn-Cable	DDA1105	
14	Crimp Connector	DDC1043	
15	Parallel Jumper	PF10PP-S07A	
16	Connector Assy	PF06PP-S12	
17	Parallel Jumper	PF03PP-D25A	
18	Parallel Jumper	PF04PP-D07A	
19	FFC	DDD2147	
20	Stay	DNG1148	C
21	Stay	DNG1154	
22	Gasket	DEC4046	
23	Stay	DNG1151	
24	Stay	DNG1157	
25	Stay	DNG1150	
26	Cover	DNF2066	
27	Shield Plate	DNG1149	
28	Shield Plate	DNG1156	
29	Stay	DNF1951	D
30	Sheet	DEC3621	
31	Holder	VEC1355	
32	Locking Mini Clamp	DEC2439	
33	Cord Clamper	DEX1025	
34	Cable Tie (SKB-90BK)	ZCA-SKB90BK	
35	Nut M12	DBN1018	
36	Nut M12	NKX2FNI	
37	Washer	DEC2920	
38	Screw	BBZ30P060FTC	E
39	Screw	BPZ30P080FTB	
40	Screw	PPZ30P080FTB	

# 9.4 CHASSIS SECTION (2/2)



**Note ✕ :**  
AEB7092 is nonreusable to fix it with DS tape.

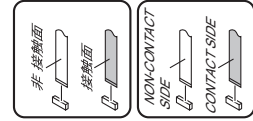
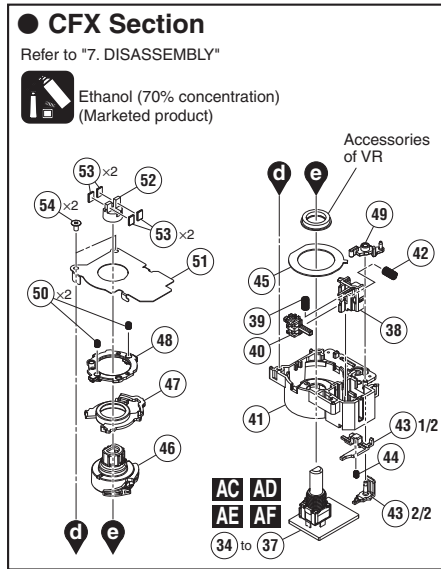
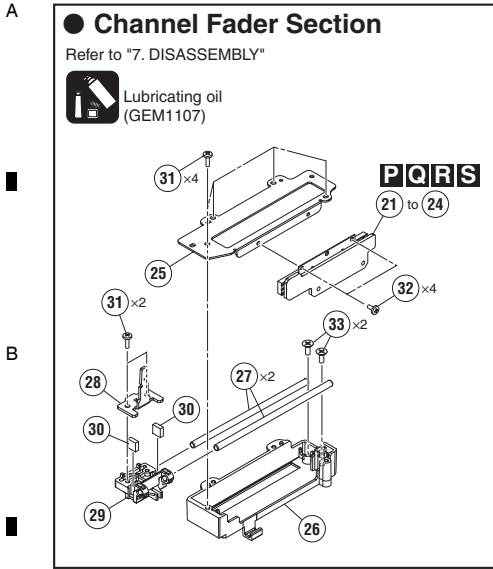
**注意 ✕ :**  
AEB7092は両面テープで固定のため再利用不可です。

## CHASSIS SECTION (2/2) PARTS LIST

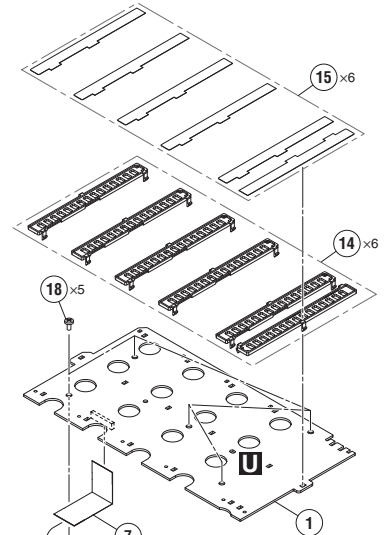
<u>Mark No.</u>	<u>Description</u>	<u>Part No.</u>	
1	MAIN Assy	DWX4755	
2	REGB Assy	DWX4763	A
3	AOUT Assy	DWX4764	
4	HPPW Assy	DWX4765	
5	PSWB Assy	DWX4780	
⚠	6 SW POWER SUPPLY	DWR1581	
⚠	7 AC Inlet	DKP3998	
	8 Shielded Conn-Cable	DDA1110	
	9 Parallel Jumper	PF08PP-S22A	
	10 Parallel Jumper	PF04PP-S17A	
	11 Parallel Jumper	PF05PP-S27A	B
	12 Parallel Jumper	PF09PP-D05A	
	13 Crimp Connector	PF09PP-S07	
	14 Connector Assy	PF03PP-B05	
	15 FFC	DDD2146	
	16 FFC	DDD2147	
	17 Rear Panel	DNC2142	
	18 Earth Terminal	DKE1019	
	19 Chassis	DNA1485	
NSP	20 Spacer	AEB7092	C
	21 Foot (Rubber)	REC-434	
NSP	22 PCB Stay (FE)	VNE2489	
	23 Stay	DNG1129	
	24 Power Knob Guard	DNK4534	
	25 Shield Case	DNG1152	
	26 Power Knob	DAC2306	
	27 Sheet	DEC3618	
	28 Cover	DNG1138	
	29 Sheet	DEC3901	D
	30 Stay	DND1313	
	31 Holder	VEC1355	
	32 Locking Mini Clamp	DEC2439	
	33 Cord Clamper	DEX1025	
⚠	34 Spacer	DEC3878	
⚠	35 Spacer	DEC3850	
NSP	36 PCB Holder	PNW1706	
	37 Sheet	DEC4079	
	38 Cable Tie (SKB-90BK)	ZCA-SKB90BK	E
	39 Flange Nut M9	DBN1008	
	40 Nut M12	NKX2FNI	
	41 Washer	DEC2920	
	42 Screw	ABZ30P060FTC	
	43 Screw	BBZ30P060FTB	
	44 Screw	BBZ30P060FTC	
	45 Screw	BBZ30P080FTC	
	46 Screw	BPZ30P080FTB	F
	47 Screw	IBZ30P080FTB	
	48 Screw	PMH40P080FTC	
	49 Screw	PPZ30P080FTB	

# 9.5 CONTROL PANEL SECTION (1/3)

1 2 3 4

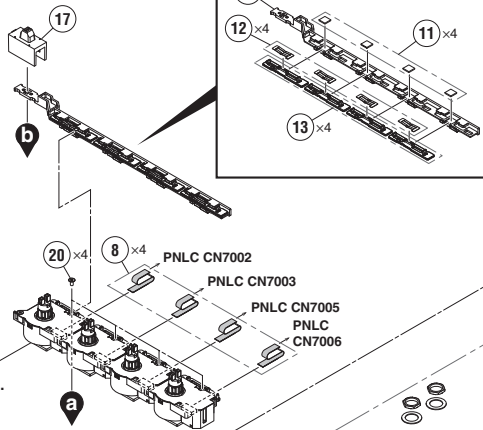
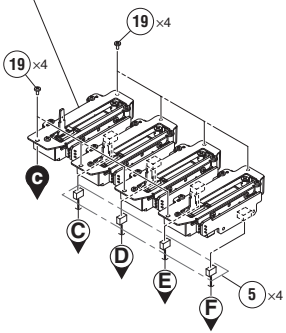


B



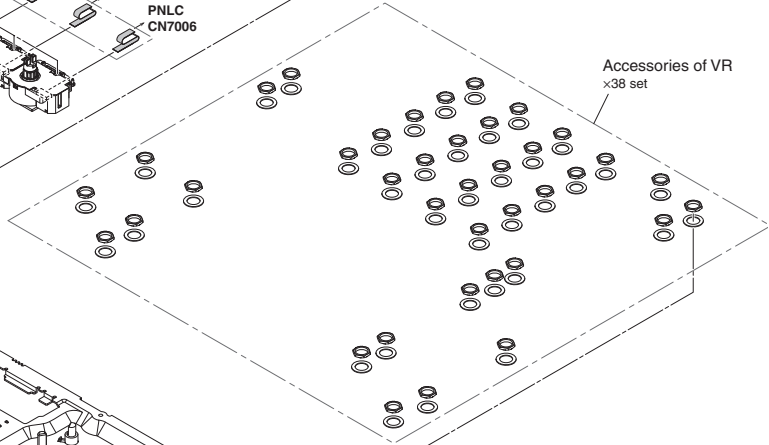
C

See "Channel Fader Section".

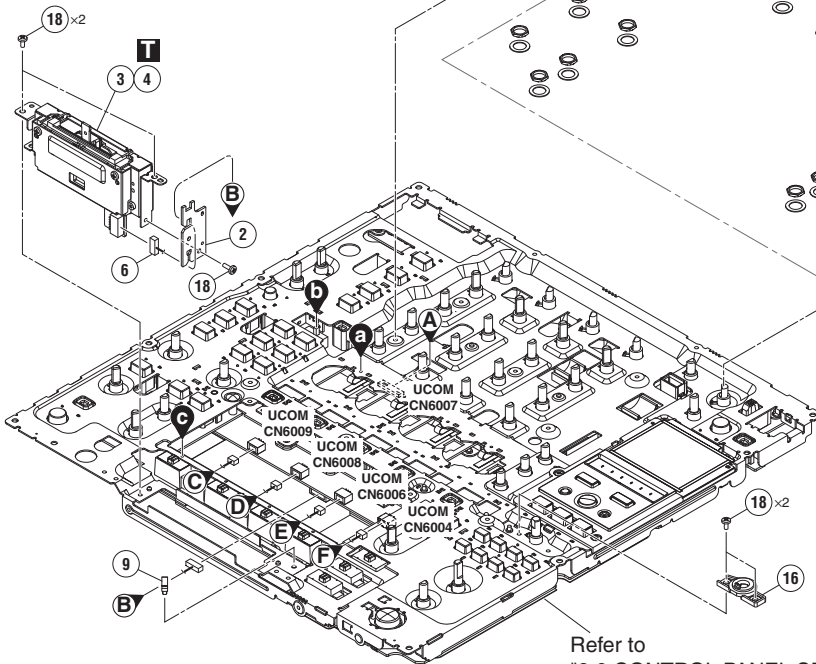


D

See "CFX Section".



E



F

Refer to "9.6 CONTROL PANEL SECTION (2/3)".

1 2 3 4

**CONTROL PANEL SECTION (1/3) PARTS LIST**

<u>Mark No.</u>	<u>Description</u>	<u>Part No.</u>	<u>Mark No.</u>	<u>Description</u>	<u>Part No.</u>
	1 LEDB Assy	DWX4769	47	Cam	DNK6969
	2 CRF Assy	DWX4790	48	Plate	DNK6929
	3 1..Crossfader Service Assy	DEA1096	49	Arm	DNK6905
NSP	4 2..CRFB Assy	DWX4772	50	Coil Spring	DBH1851
	5 Crimp Connector	DDC1041			
	6 Crimp Connector	DDC1042	51	Cover	DNH3454
	7 FFC	DDD2089	52	Cap	DNK6904
	8 FFC	DDD2096	53	Contact Rubber	DEC3972
	9 Locking Mini Clamp	DEC2439	54	Screw	DBA1455
	10 Lever	DNK6906			
	11 Grip	DED1192			
	12 Leaf Spring	DBK1402			
	13 Adjuster	DNK6974			
	14 Holder	DNK6878			
	15 Sheet	DEC3885			
	16 Stopper	DNK7069			
	17 Cap	DAC3520			
	18 Screw	BBZ30P060FTC			
	19 Screw	BSZ20P040FTB			
	20 Screw	DBA1456			
<b>Channel Fader Section</b>					
	21 CHF1 Assy	DWX4783			
	22 CHF2 Assy	DWX4784			
	23 CHF3 Assy	DWX4785			
	24 CHF4 Assy	DWX4786			
	25 Cover	DNG1131			
	26 Holder	DNK6884			
	27 Guide Shaft VK1	DLA1978			
	28 Lever Plate	DNH2954			
	29 Slider	DNK6889			
	30 Cushion	DEC3640			
	31 Screw	BPZ20P060FTC			
	32 Screw	BSZ20P040FTB			
	33 Screw	CPZ26P080FTC			
<b>CFX Section</b>					
	34 CFX1 Assy	DWX4773			
	35 CFX2 Assy	DWX4774			
	36 CFX3 Assy	DWX4775			
	37 CFX4 Assy	DWX4776			
	38 Holder	DNK6903			
	39 Spring	DBH1826			
	40 Stopper	DNK6902			
	41 Base	DNK6900			
	42 Spring	DBH1827			
	43 Brake	DNK7061			
	44 Spring	DBH1843			
	45 Sheet	DEC3971			
	46 Cam	DNK6901			

# 9.6 CONTROL PANEL SECTION (2/3)

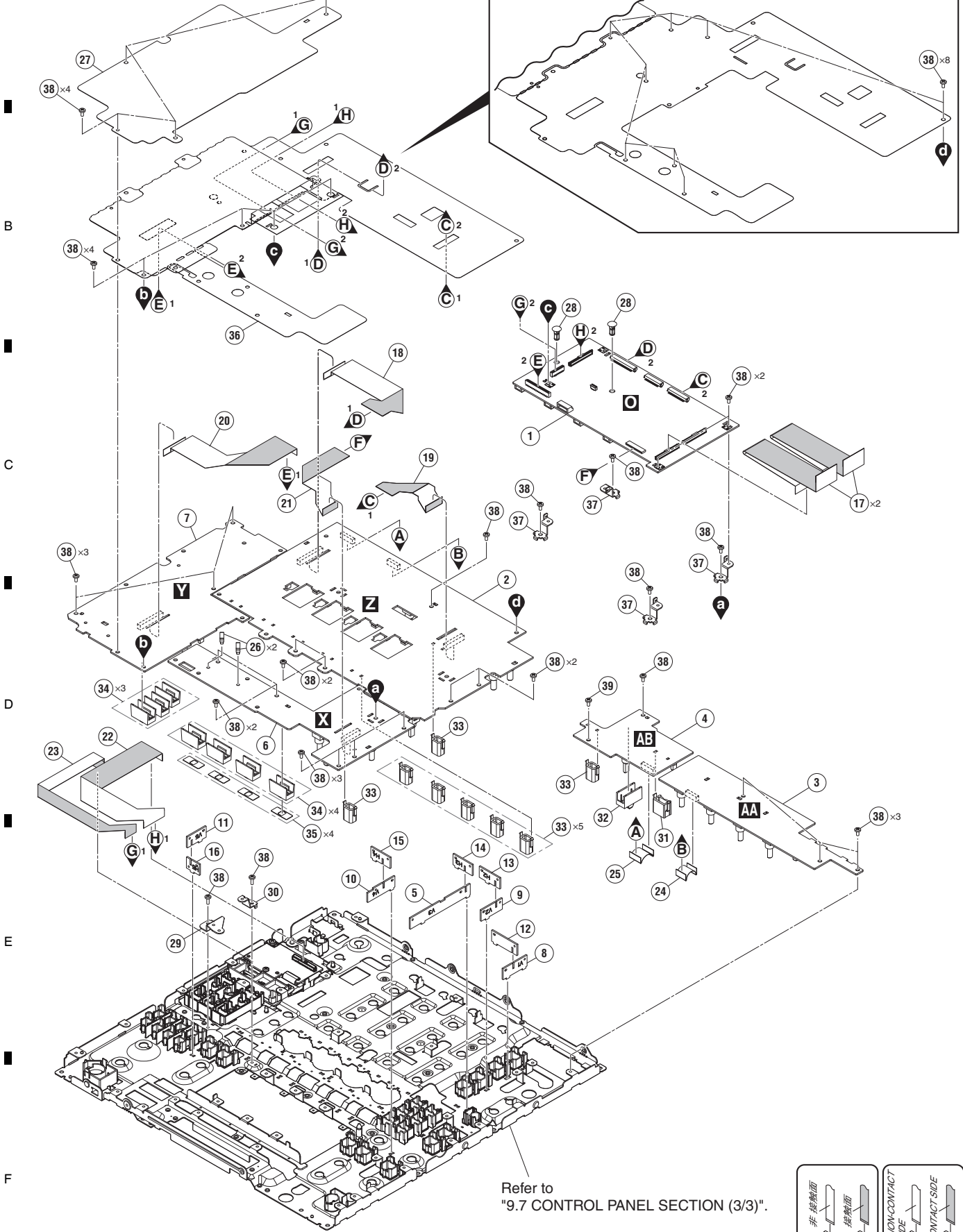
1

2

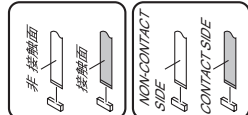
3

4

A • Bottom view



Refer to "9.7 CONTROL PANEL SECTION (3/3)".



1

2

3

4

## CONTROL PANEL SECTION (2/3) PARTS LIST

<u>Mark No.</u>	<u>Description</u>	<u>Part No.</u>	
1	UCOM Assy	DWX4768	
2	PNLC Assy	DWX4777	A
3	PNLU Assy	DWX4778	
4	MIOB Assy	DWX4779	
5	SHADE V3 Assy	DWX4793	
6	PNLL Assy	DWX4781	
7	PNLR Assy	DWX4782	
8	SHADE V1 Assy	DWX4791	
9	SHADE V2 Assy	DWX4792	
10	SHADE V4 Assy	DWX4794	
11	SHADE V5 Assy	DWX4795	B
12	SHADE H1 Assy	DWX4796	
13	SHADE H2 Assy	DWX4797	
14	SHADE H3 Assy	DWX4798	
15	SHADE H4 Assy	DWX4799	
16	SHADE H5 Assy	DWX4800	
17	FFC	DDD2152	
18	FFC	DDD2087	
19	FFC	DDD2088	
20	FFC	DDD2090	C
21	FFC	DDD2091	
22	FFC	DDD2092	
23	FFC	DDD2093	
24	FFC	DDD2094	
25	FFC	DDD2095	
26	Locking Mini Clamp	DEC2439	
⚠ 27	Sheet	DEC4058	
28	Spacer	DEC3880	
29	Stay	DND1321	D
30	Stay	DND1322	
31	Holder	DNK6511	
32	Cap	DAC3136	
33	Holder	DNK7066	
34	Slide SW Cap (W)	DAC2401	
35	Sheet	DEC3902	
36	Sheet	DEC4050	
37	Stay	DND1313	
38	Screw	BBZ30P060FTC	E
39	Screw	BPZ30P080FTB	

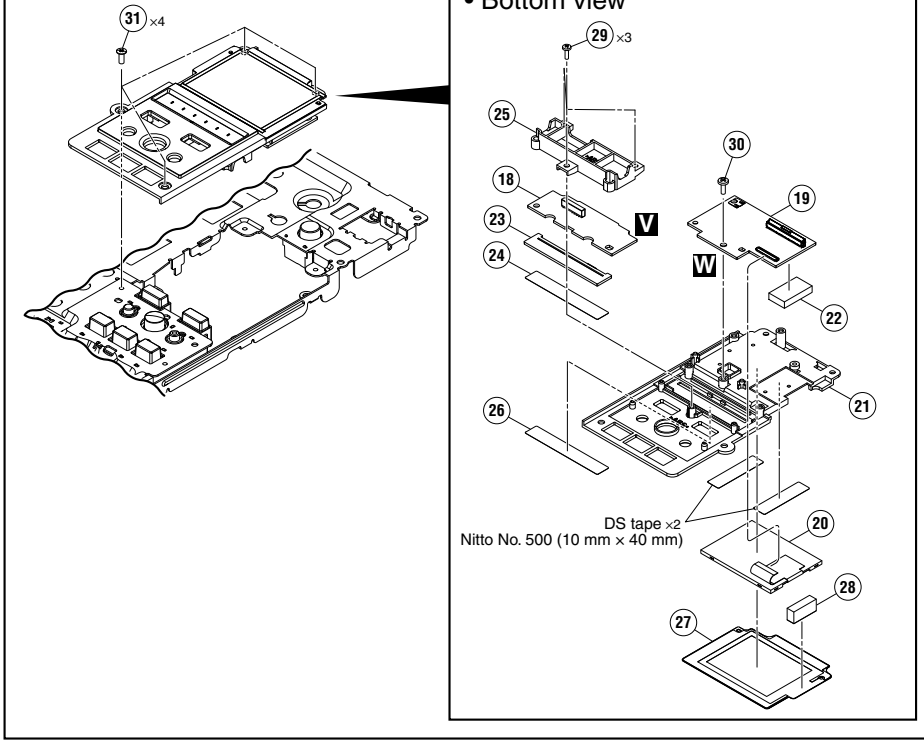
# 9.7 CONTROL PANEL SECTION (3/3)

A • Bottom view

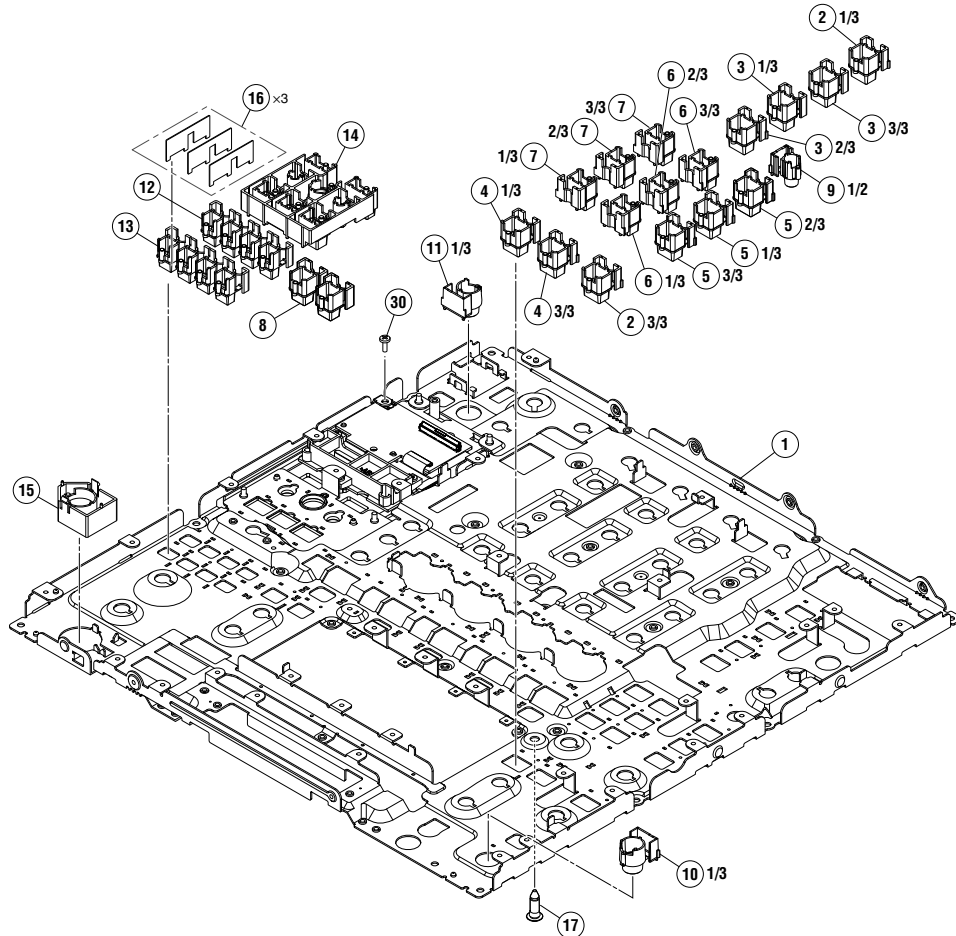
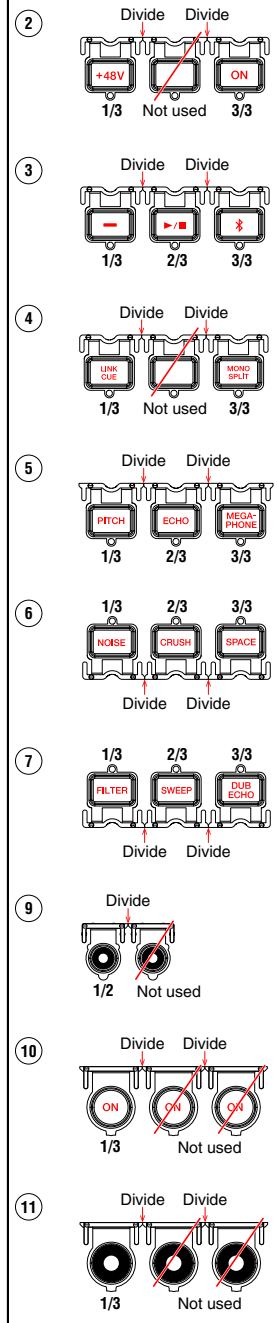
## ● LCD Section

• Top view

• Bottom view



## ● Divide position



**CONTROL PANEL SECTION (3/3) PARTS LIST**

<u>Mark No.</u>	<u>Description</u>	<u>Part No.</u>
1	Stay	DND1320
2	Button	DAC3637
3	Button	DAC3635
4	Button	DAC3636
5	Button	DAC3639
6	Button	DAC3640
7	Button	DAC3641
8	Button	DAC3631
9	Button	DAC3491
10	Button	DAC3628
11	Button	DAC3630
12	Button	DAC3633
13	Button	DAC3634
14	Button	DAC3142
15	Button	DAC3141
16	Sheet	DEC4041
17	PCB Holder	PNW2029

**LCD Section**

18	CDCB Assy	DWX4771
19	LCDB Assy	DWX4770
20	TFT LCD	DWX4330
21	Panel	DNK7067
22	Cushion	DEC4030
23	Lens	DNK7052
24	DS Tape	DEH1125
25	Holder	DNK7068
26	Panel	DNK7136
27	Sheet	DEC4032
28	Cushion	DEC4031
29	Screw	BPZ26P080FTC
30	Screw	BPZ30P080FTB
31	Screw (FE)	DBA1290